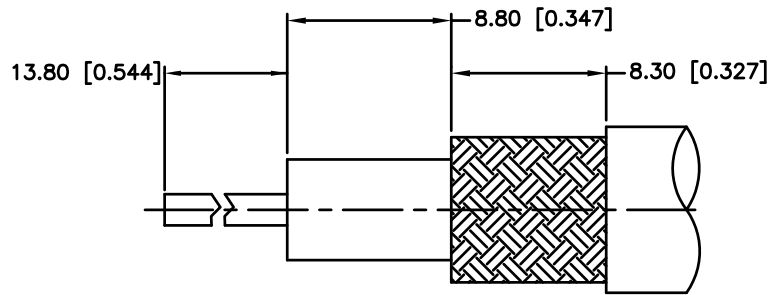
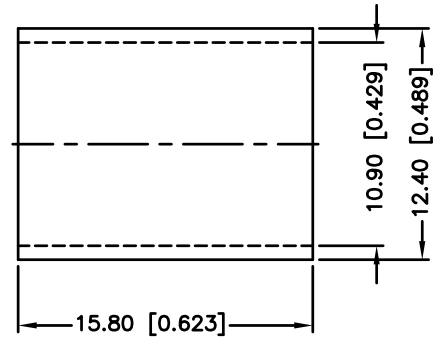
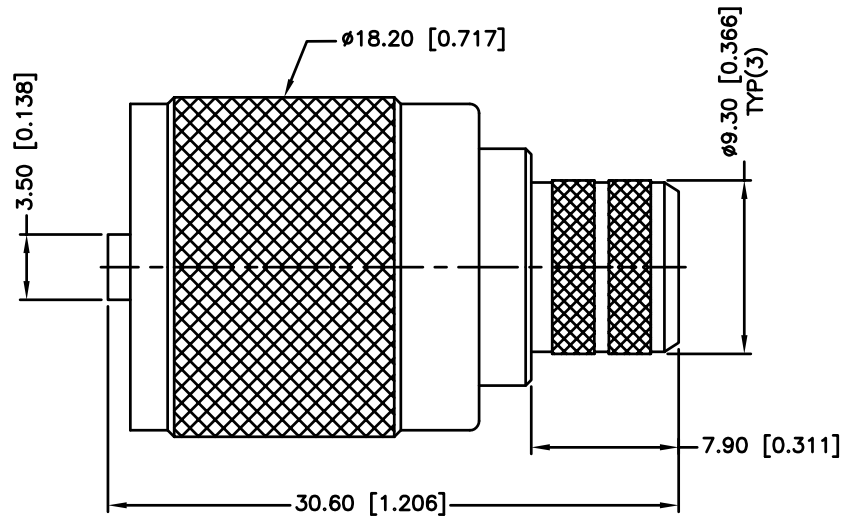


REV.	DATE	ECR NO.	DESCRIPTION
A	07/21/10	--	RELEASE TO MFG.



RECOMMENDED CABLE  
STRIPPING DIM'S

NOTE:

1. CRIMPED FERRULE  
HEX CRIMP SIZE 0.429"[10.90]
2. CRIMPED CONTACT PIN  
HEX CRIMP SIZE 0.118"[3.00]

REV.	DATE	ECR NO.	DESCRIPTION
A	07/21/10	--	RELEASE TO MFG.

8				<small>UNLESS OTHERWISE SPECIFIED DIMENSIONS ARE IN MILLIMETERS. DIMENSIONS IN ( ) ARE IN INCHES AND FOR CUSTOMER REFERENCE ONLY.</small> <small>UNLESS OTHERWISE SPECIFIED TOLERANCES FOR MILLIMETERS ARE:</small> 0.5 - 8mm ± 0.20mm 8 - 30mm ± 0.40mm 30 - 120mm ± 0.50mm <small>UNLESS OTHERWISE SPECIFIED TOLERANCES FOR INCHES ARE:</small> .020 - .315 = ± 0.007" .315 - 1.180 = ± 0.015" 1.180 - 4.724 = ± 0.020" DO NOT SCALE DRAWING	APPROVALS	DATE	<h1>Amphenol Connex</h1>							
7					DRAWN	CLEMENT		07/21/10						
6					CHECKED									
5	FERRULE	COPPER	NICKEL		1	ISSUED								
4	CONTACT PIN	BRASS	SILVER		1	SHEET	1 OF 1	PART DESCRIPTION <b>UHF CRIMP PLUG</b> <b>(FOR BELDEN 8214, 9913, 9914, LMR400 CABLE)</b>						
3	INSULATOR	PTFE	NATURAL		1			PART NO.						
2	COUPLING NUT	BRASS	SILVER		1			<b>182130-10</b>						
1	BODY	BRASS	SILVER		1									
	DESCRIPTION	MATERIAL	FINISH	QTY	CAD FILE	C:/182/182130-10.DWG	DWG. NO.	182130-10.DWG	REV.	A	SIZE	A	SCALE	NA