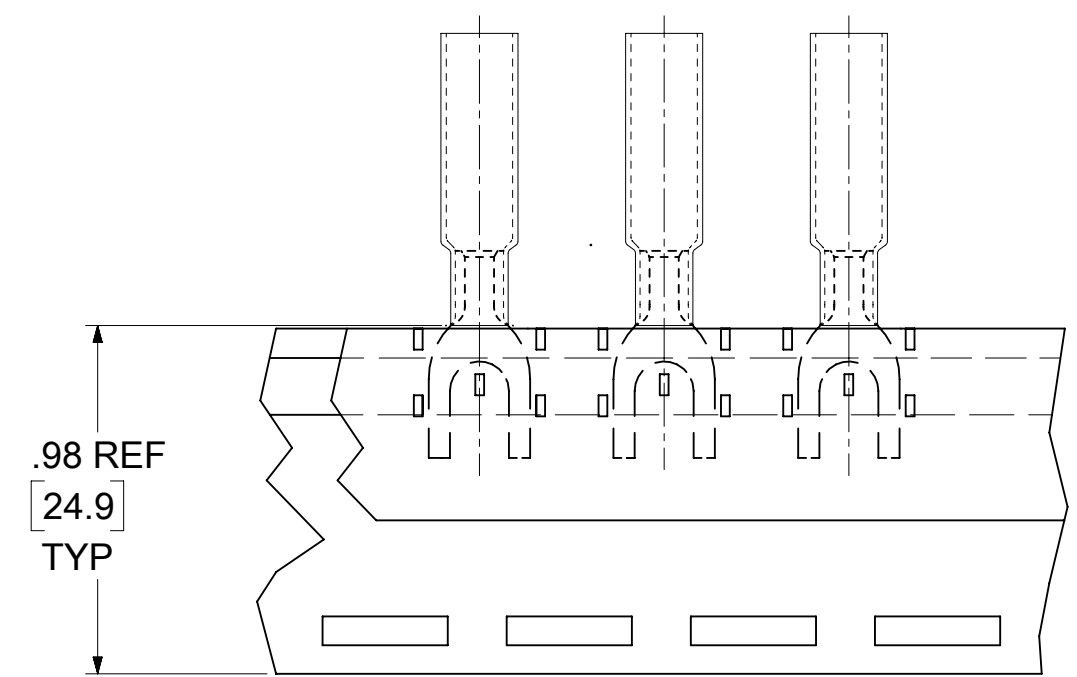
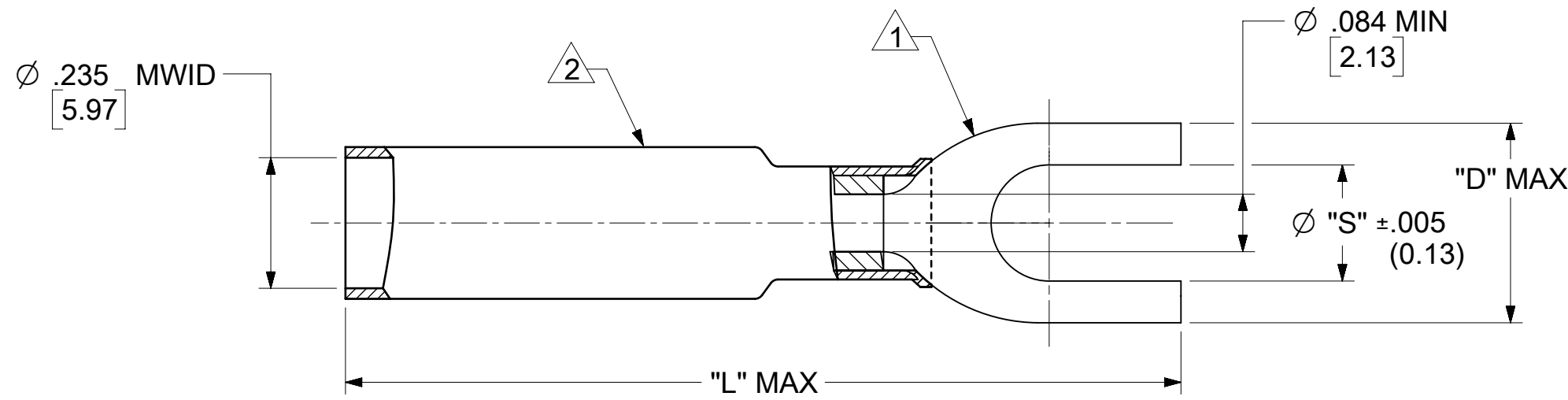


MAT'L NO. LOOSE PC.	ENG NO. LOOSE PC.	MAT'L NO. ON TAPE	ENG NO. ON TAPE	STUD SIZE	STUD HOLE SIZE "S"	"D" MAX	"L" MAX
191640028	SB-227-06	191640948	SB-227-06T	#06	∅.146/3.71	.37 (9.4)	1.42 (36.1)
191640029	SB-227-08	----	----	#08	∅.173/4.39	.40 (10.2)	1.42 (36.1)
191640030	SB-227-10	----	----	#10	∅.198/5.03	.40 (10.2)	1.42 (36.1)
191640023	SB-224-06	----	----	#06	∅.146/3.71	.31 (7.8)	1.30 (33.0)
191640024	SB-224-08	----	----	#08	∅.173/4.39	.31 (7.8)	1.30 (33.0)



191640948 (SB-227-06T)



- NOTE(S):
- 1 TERMINAL MATERIAL: COPPER ALLOY .031 (0.79) THK
FINISH:ELECTRO-TIN PLATE
 - 2 INSULATION MATERIAL: PERMA-SEAL SHRINKABLE TUBING
WITH HOT-MELT ADHESIVE INNER LINER.
COLOR: BLUE
 - 3. MWID = MAXIMUM WIRE INSULATION DIAMETER
 - 4. PARTS ARE RoHS COMPLIANT.

THIS DRAWING CONTAINS INFORMATION THAT IS PROPRIETARY TO MOLEX ELECTRONIC TECHNOLOGIES, LLC AND SHOULD NOT BE USED WITHOUT WRITTEN PERMISSION									
FUNCTIONAL SYMBOLS	DIMENSION UNITS	SCALE	CURRENT REV DESC: ADD PN'S: SB-224-06 & -08						
FA = 0	INCH/MM	NTS	<p>molex</p> <p>PERMA-SEAL TERMINAL SPADE TERMINAL 16-14 AWG TAPE MOUNTED</p> <p>PRODUCT CUSTOMER DRAWING</p> <p>DOCUMENT NUMBER: SD-19164-027 DOC TYPE: PSD DOC PART: 001 REVISION: C1</p> <p>EC NO: 661621 DRWN: DMYRICK 2021/04/14 CHK'D: KBURROUGHS 2021/04/21 APPR: KBURROUGHS 2021/04/21</p> <p>INITIAL REVISION: DRWN: BENDERLE 2002/12/11 APPR: RDEROSS 2002/12/12</p> <p>DRAFT WHERE APPLICABLE MUST REMAIN WITHIN DIMENSIONS</p>						
FE = 0	GENERAL TOLERANCES (UNLESS SPECIFIED)								
FP = 0	MM	INCH							
DIVISIONAL SYMBOLS	4 PLACES	±							
	3 PLACES	±							
	2 PLACES	±							
	1 PLACE	±							
	0 PLACES	±							
	ANGULAR TOL	± 0.5°	THIRD ANGLE PROJECTION	DRAWING	SERIES	MATERIAL NUMBER	CUSTOMER	SHEET NUMBER	
			⊕	B-SIZE	19164		GENERAL MARKET	1 OF 1	