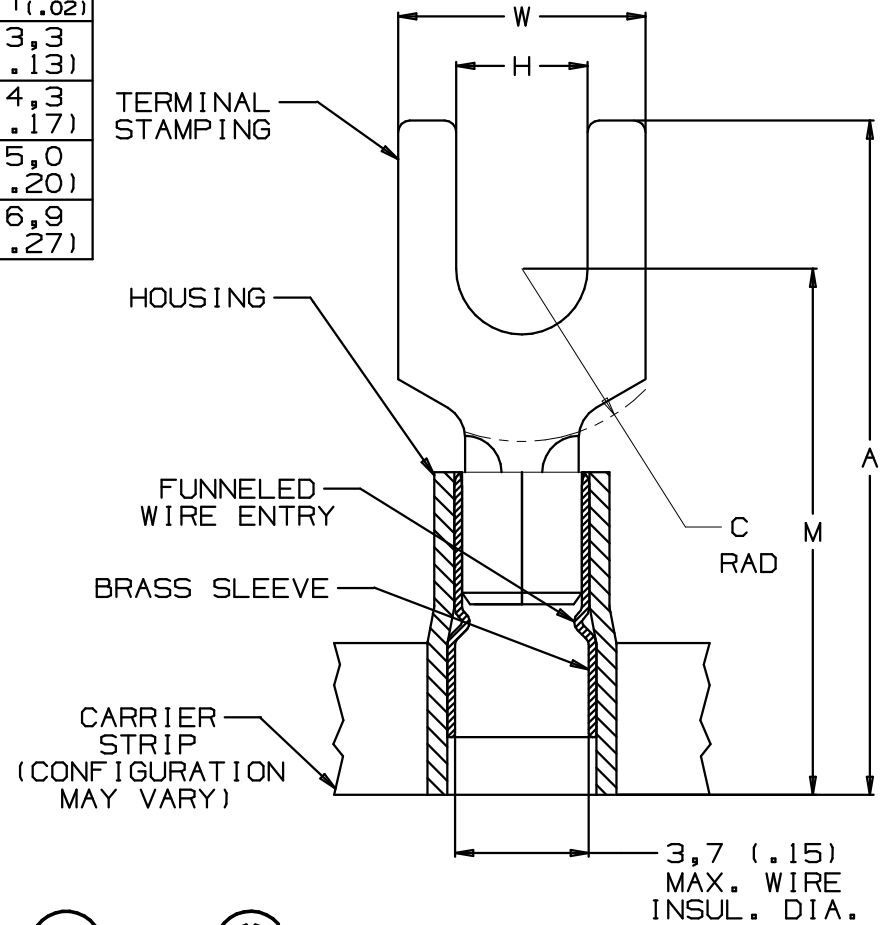


THIS COPY IS PROVIDED ON A RESTRICTED BASIS AND IS NOT TO BE USED IN ANY WAY DETRIMENTAL TO THE INTERESTS OF PANDUIT CORP.

PART NUMBER	STUD SIZE	WIRE RANGE mm ² (AWG)	DIMENSIONS mm				
			A [±] ,80 (.03)	W [±] ,25 (.01)	C [±] ,38 (.01)	M [±] ,50 (.02)	H [±] ,50 (.02)
PMNF1-3F-3K	M3	0,5-1,5 (22-18)	20,0 (.79)	5,9 (.23)	5,0 (.20)	16,5 (.65)	3,3 (.13)
PMNF1-4F-3K	M4	0,5-1,5 (22-18)	21,6 (.85)	8,2 (.32)	5,8 (.23)	17,3 (.68)	4,3 (.17)
PMNF1-5F-3K	M5	0,5-1,5 (22-18)	21,8 (.86)	8,9 (.35)	6,3 (.25)	17,8 (.70)	5,0 (.20)
PMNF1-6F-3K	M6	0,5-1,5 (22-18)	26,4 (1.04)	11,2 (.44)	8,4 (.33)	20,1 (.79)	6,9 (.27)

NOTES:

- USED FOR:
 - 600V MAX. BUILDING WIRE
1000V MAX. IN SIGNS FIXTURES, AND LUMINAIRES
 - 105°C (221°F) MAX. TEMP. RATING OF INSUL MAT'L
 - SOLID OR STRANDED COPPER WIRE
- PACKAGE QTY:
3K = 3000 PCS. ON CONTINUOUSLY MOLDED CARRIER STRIP
- MATERIAL:
 - STAMPING: ,81 (.03)THK. COPPER, TIN PLATED
 - SLEEVE: BRASS, TIN PLATED
 - HOUSING: TYPE 6/6 NYLON, RED
- WIRE STRIP LENGTH: $6,4^{+,8}_{-0}$ ($1/4^{+1/32}_{-0}$)
- DIMENSIONS IN BRACKETS ARE IN INCHES OR AWG
- UL LISTED AND CSA CERTIFIED WITH COPPER 22-18AWG WIRE ONLY



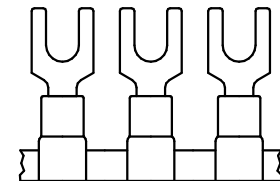
		PANDUIT PRESS					
		CP-851 <i>DISCONTINUED</i>	CP-860 <i>DISCONTINUED</i>	CP-861	CP-862	CP-871 60HZ	CP-871/E 50HZ
APPLICATORS	CA-800		X	X			
	CA-800EZ	X				X	X
	CA9				X	X	X



LISTED
587H
E52164



CERTIFIED
LR31212



A41604_01

							PANDUIT CORP.		TINLEY PARK, ILLINOIS	
01	3/06	DAW	DAW	ADDED PANDUIT PRESS & APPLICATOR CHART			TRO0083			
00	9/97	JKD	WJB	RELEASED			6191	LCA	DBH	
REV	DATE	BY	CHK	DESCRIPTION			ECN #	CUST	PM	DRAWN BY TSM
										SCALE NONE
										DRAWING NO. A41604

0,5-1,5 mm² METRIC CONTINUOUSLY MOLDED, NYLON INSULATED, FUNNEL ENTRY FORK TERMINAL