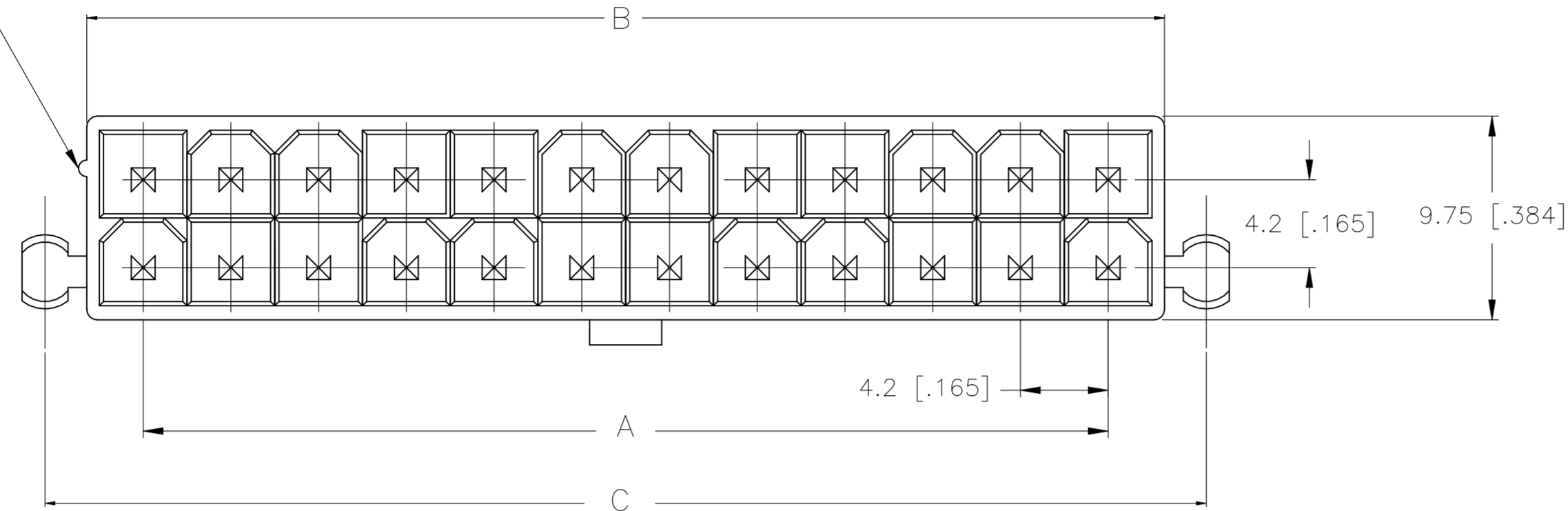
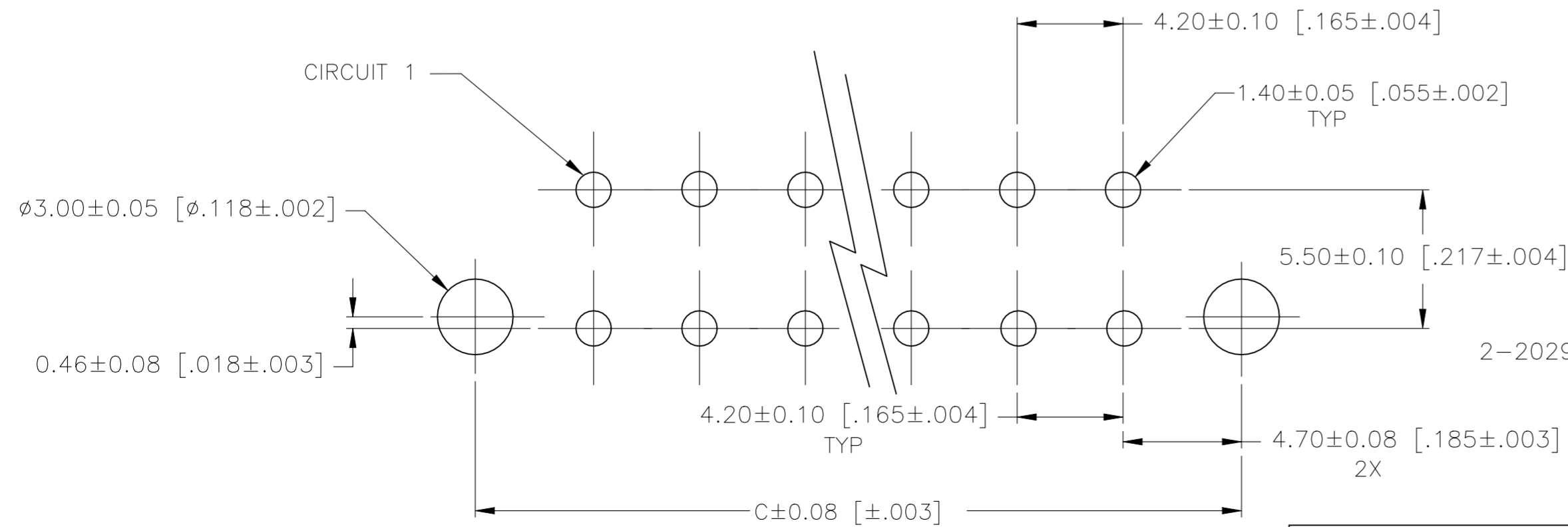
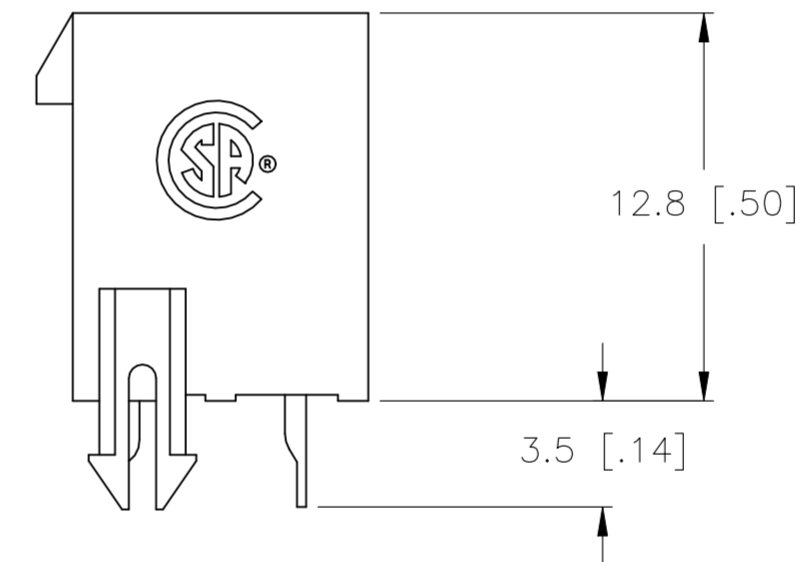
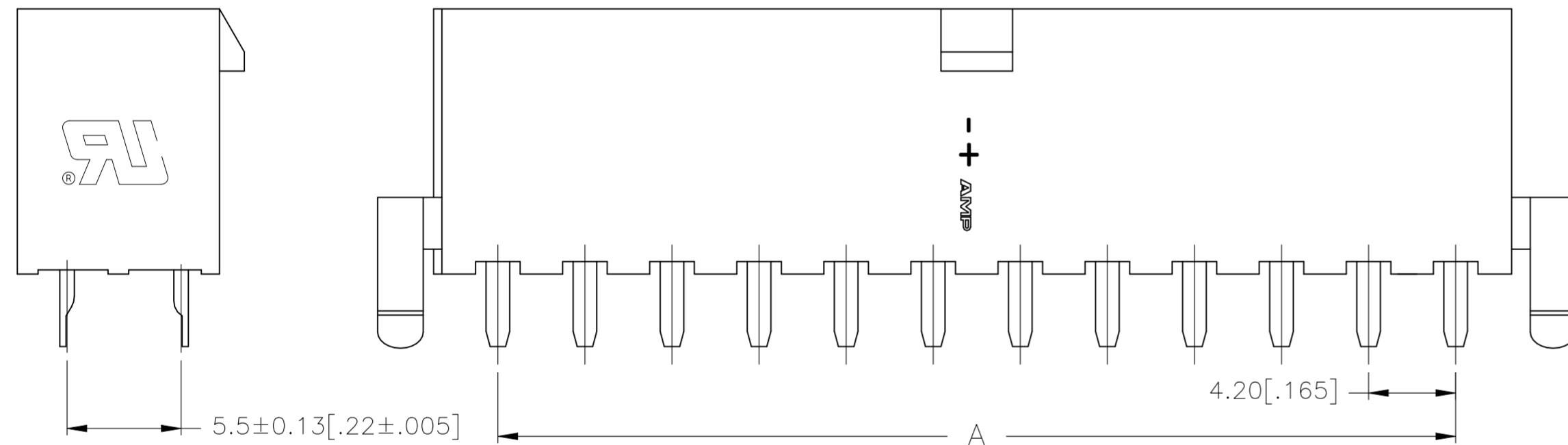


REVISIONS					
P	LTR	DESCRIPTION	DATE	DWN	APVD
B		REVISED PER ECR-22-133159	12MAY2022	P.C	D.Z

POSITION 1 IDENTIFICATION FEATURE



MATERIAL: HOUSING: NYLON, UL94V-0
CONTACTS: BRASS, TIN-PLATED



PCB LAYOUT: COMPONENT SIDE
RECOMMENDED BOARD THICKNESS 1.78 [0.070]



24	46.2±0.25 [1.82±0.01]	51.6 [2.03]	55.6 [2.19]	2-2029173-4
22	42.0±0.25 [1.65±0.01]	47.4 [1.87]	51.4 [2.02]	2-2029173-2
20	37.8±0.25 [1.49±0.01]	43.2 [1.70]	47.2 [1.86]	2-2029173-0
18	33.6±0.25 [1.32±0.01]	39.0 [1.54]	43.0 [1.69]	1-2029173-8
16	29.4±0.25 [1.16±0.01]	34.8 [1.37]	38.8 [1.53]	1-2029173-6
14	25.2±0.25 [0.99±0.01]	30.6 [1.21]	34.6 [1.36]	1-2029173-4
12	21.0±0.25 [0.83±0.01]	26.4 [1.04]	30.4 [1.20]	1-2029173-2
10	16.8±0.13 [0.66±0.005]	22.2 [0.87]	26.2 [1.03]	1-2029173-0
8	12.6±0.13 [0.50±0.005]	18.0 [0.71]	22.0 [0.87]	2029173-8
6	8.4±0.13 [0.33±0.005]	13.8 [0.54]	17.8 [0.70]	2029173-6
4	4.2±0.13 [0.17±0.005]	9.6 [0.38]	13.6 [0.54]	2029173-4
2	-	5.4 [0.21]	9.4 [0.37]	2029173-2
POS	A	B±0.25[0.01]	C±0.38[0.015]	PART NUMBER

2-2029173-4 SHOWN

THIS DRAWING IS A CONTROLLED DOCUMENT.		DWN K. WHITAKER 28AUG2008	TE Connectivity	
DIMENSIONS: mm [INCHES]		CHK C. CASH 28AUG2008		
TOLERANCES UNLESS OTHERWISE SPECIFIED:		APVD C. CASH 28AUG2008	NAME	
0 PLC ±		PRODUCT SPEC	VERTICAL HEADER, WITH PEGS, WITHOUT DRAIN HOLES, 94V-0, VAL-U-LOK(TM)	
1 PLC ± 0.13 [0.005]		APPLICATION SPEC	SIZE	RESTRICTED TO
2 PLC ± 0.25 [0.010]		WEIGHT	CAGE CODE	DRAWING NO
3 PLC ±		0.000000	A2	00779
4 PLC ±		CUSTOMER DRAWING	SCALE	10:1
ANGLES ±		FINISH	SHEET	1 of 1
MATERIAL		1	REV	B