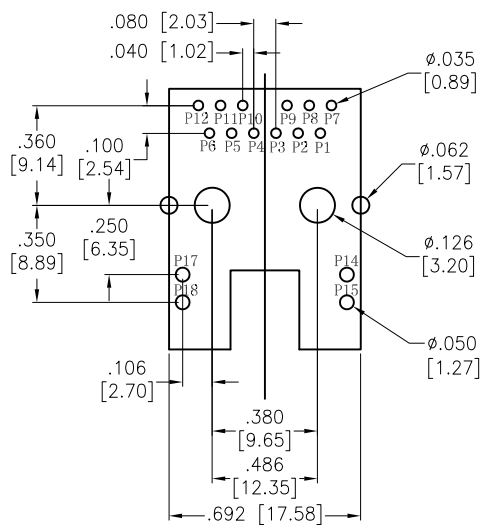
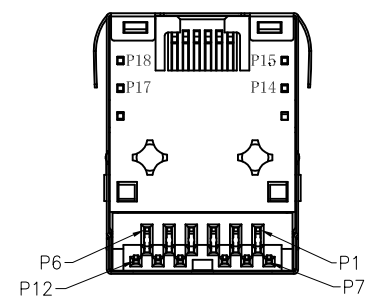
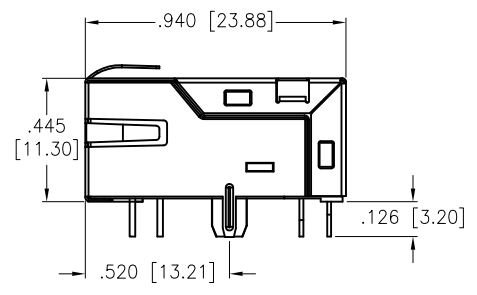
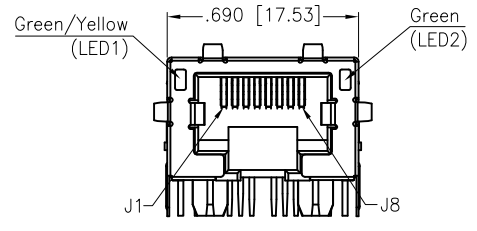


Rev	AWO #	Description	Date	Appr
-		RELEASED	11/12/18	

APPROVED: _____
 DATE: _____ TITLE: _____



RECOMMENDED PCB LAYOUT



SPECIFICATIONS:

Material:
 Insulator: Thermoplastic, rated UL 94V-0
 Insulator color: Black
 Contacts: Phosphor Bronze
 Shield: Brass, Nickel plated
 Plating:
 Round contact
 Gold over Nickel underplate overall
 Flat contact
 Gold over Nickel underplate on contact area,
 Tin over Nickel underplate on solder tails
 Electrical:
 Voltage rating: 150 VAC
 Contact Resistance: 20 mohms max
 Insulation resistance: 500 Mohms min
 Dielectric withstanding voltage: 2250 VDC for 1 minute
 Temperature Rating:
 Operating temperature: -40°C to +85°C
 Environmental:
 Lead free, RoHS compliant.



(10G BASE-T)

UNLESS OTHERWISE SPECIFIED ALL DIMENSIONS ARE INCHES [MM] TOLERANCES: EXCEPT AS NOTED INCHES HOLES		
.X ± .10	Ø.X ± .10	
.XX ± .020	Ø.XX ± .015	
.XXX ± .015	Ø.XXX ± .010	
APPROVALS		DATE
DRAWN	AY	11/12/18
CHECKED	NL	11/12/18
APPROVED		

ADAM TECH INTERCONNECTS

909 Rahway Avenue,
 Union, NJ 07083
 Phone: 908-687-5000
 Fax: 908-687-5710

TITLE: MODULAR JACK, 1 PORT, 8P8C, R/A
 W/ LED1 GREEN/YELLOW, LED2 GREEN

SIZE	PART NO.	REV.
X	MTJ-88NX1-FS-PG-L38-M367C-WOT	-

REF: S00005C SCALE: NTS SHEET 1 OF 2

6

5

4

3

2

1

6

5

4

3

2

1

6

5

4

3

2

1

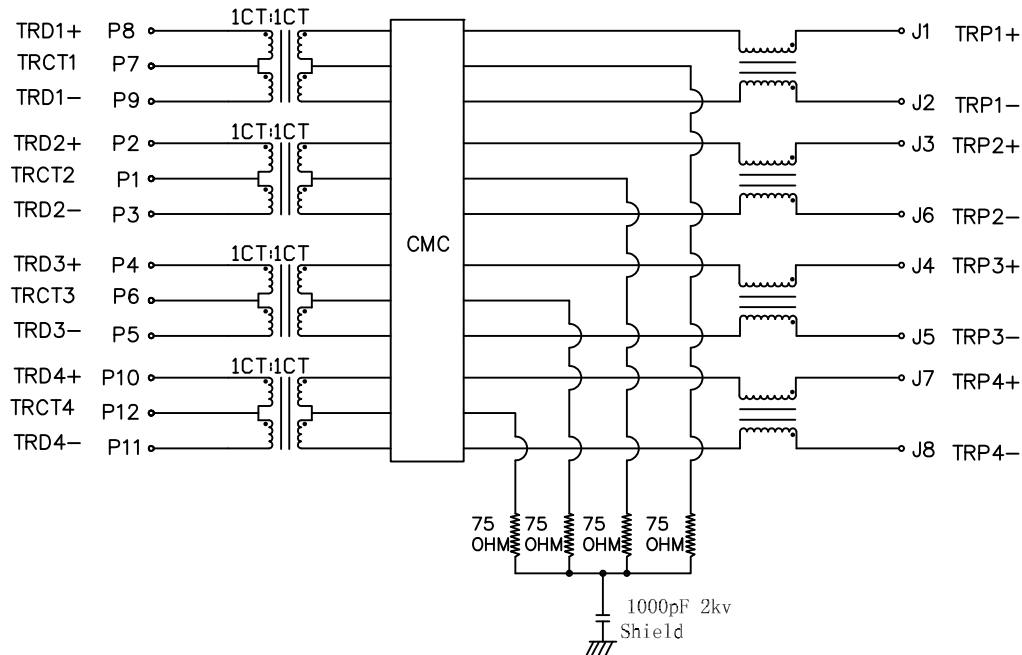
APPROVED: _____

DATE: _____ TITLE: _____

Rev	AWO #	Description	Date	Appr
-----	-------	-------------	------	------

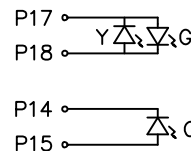
SEE SHT 1 OF 2 FOR REVISION

Circuit Schematic:



ELECTRICAL SPECIFICATIONS :

PARAMETER	SPECIFICATIONS		
URNS RATIO	1.00 ± 2%		
POLARITY	PER SCHEMATIC		
INSERTION LOSS (DATA CHANNELS)	100 KHz	1-400 MHz	
	-3.0 dB MAX	-2.0 dB MAX (-1.4dB TYP)	
RETURN LOSS (Z OUT=100 OHM ±1%)	1-40 MHz	40 MHz-400 MHz	400 MHz-500 MHz
	-16 dB MIN	-16+10LOG(f/40)dB	-6+30LOG(f/400)dB
	INDUCTANCE (OCL)		
160 uH MIN @ 100 KHz, 100 mV			
CROSSTALK, ADJACENT CHANNELS	1-100 MHz	100-500 MHz	
	-28 dB MIN	-19 dB MIN	
COMMON MODE REJECTION RATIO	1-40 MHz	40-100 MHz	100-500 MHz
	-30 dB MIN	-28 dB MIN	-26 dB MIN
COMMON TO DIFFERENTIAL MODE REJECTION (CDMR)	1-250 MHz	250-500 MHz	
	-30 dB MIN	-22 dB MIN	
HIPOT-OUTPUT ISOLATION	2250 VDC MIN @ 60 SECONDS		



Pin	Green	Pin	Green	Yellow
P14	-	P17	+	-
P15	+	P18	-	+

(10G BASE-T)

UNLESS OTHERWISE SPECIFIED
ALL DIMENSIONS ARE INCHES [MM]
TOLERANCES: EXCEPT AS NOTED
INCHES HOLES

.X ± .10	ØX ± .10
.XX ± .020	ØXX ± .015
.XXX ± .015	ØXXX ± .010

ADAM TECH
INTERCONNECTS

909 Rahway Avenue,
Union, NJ 07083
Phone: 908-687-5000
Fax: 908-687-5710

APPROVALS		DATE
DRAWN	AY	11/12/18
CHECKED	NL	11/12/18
APPROVED		

TITLE		
MODULAR JACK, 1 PORT, 8P8C, R/A W/ LED1 GREEN/YELLOW, LED2 GREEN		
SIZE	PART NO.	REV.
X	MTJ-88NX1-FS-PG-L38-M367C-WOT	-
REF: S00005C	SCALE: NTS	SHEET 2 OF 2

6

5

4

3

2

1