

4

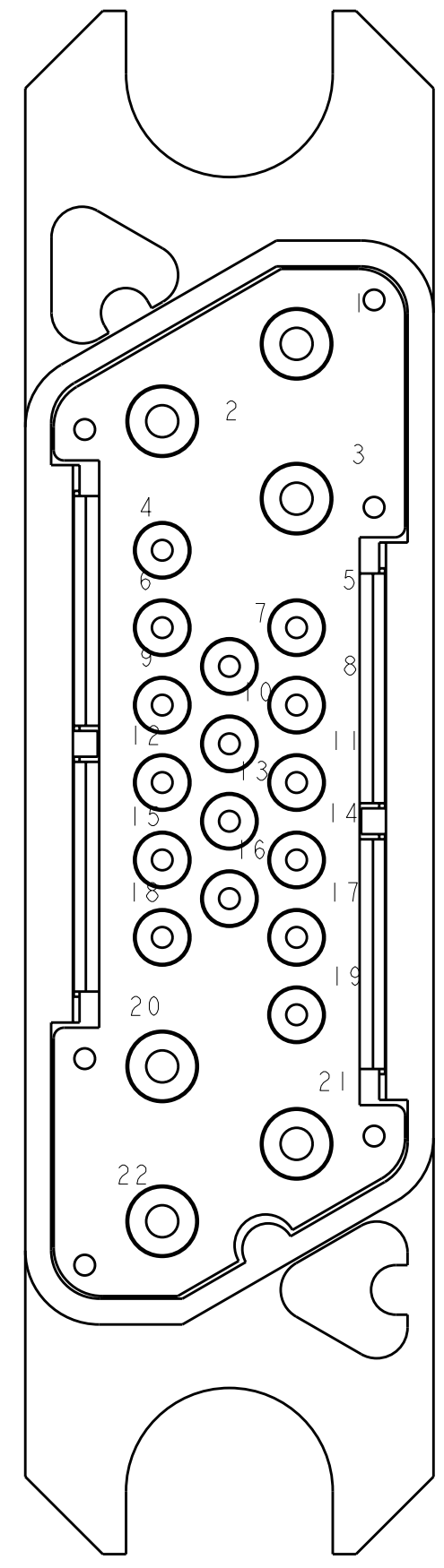
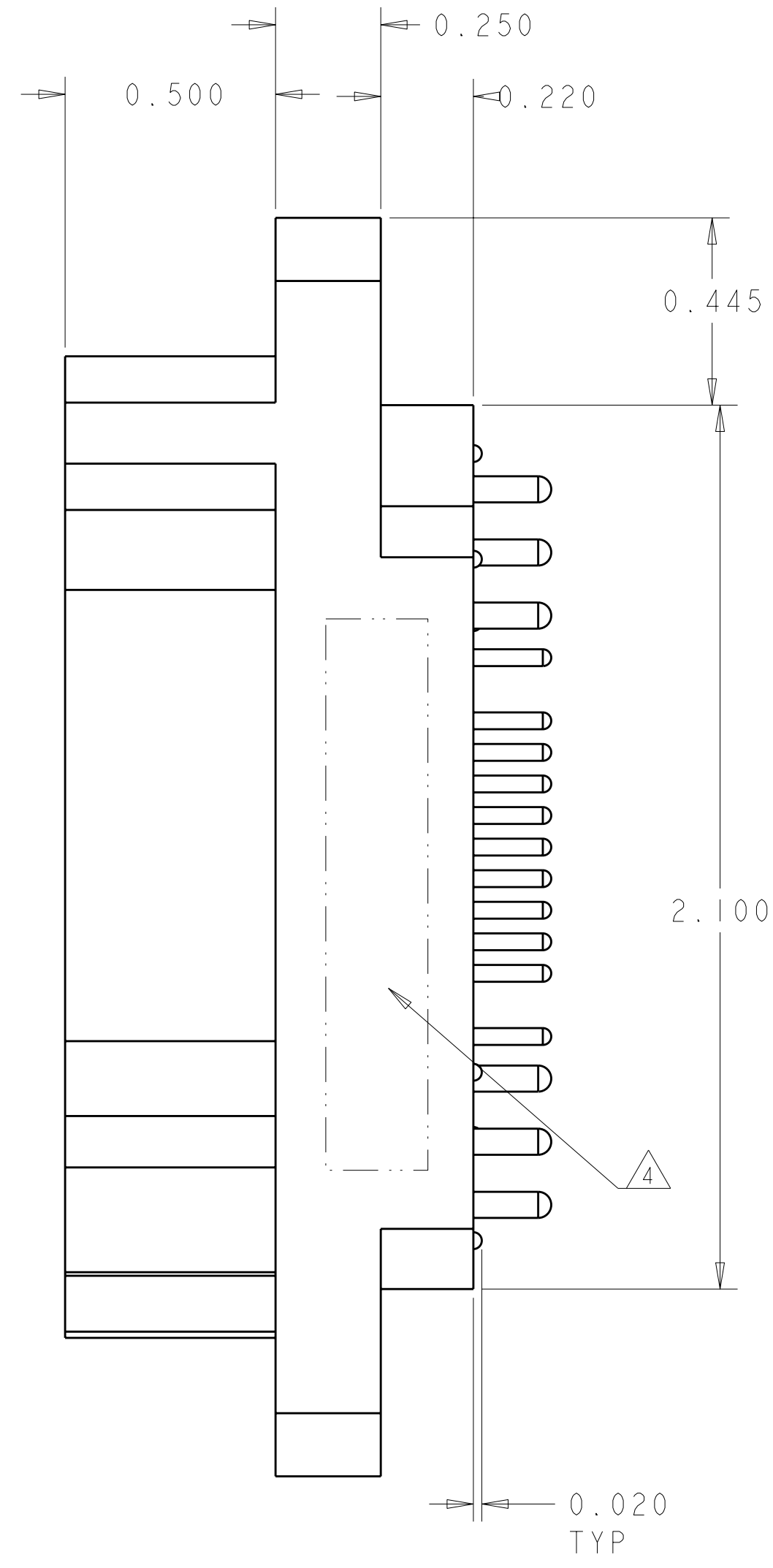
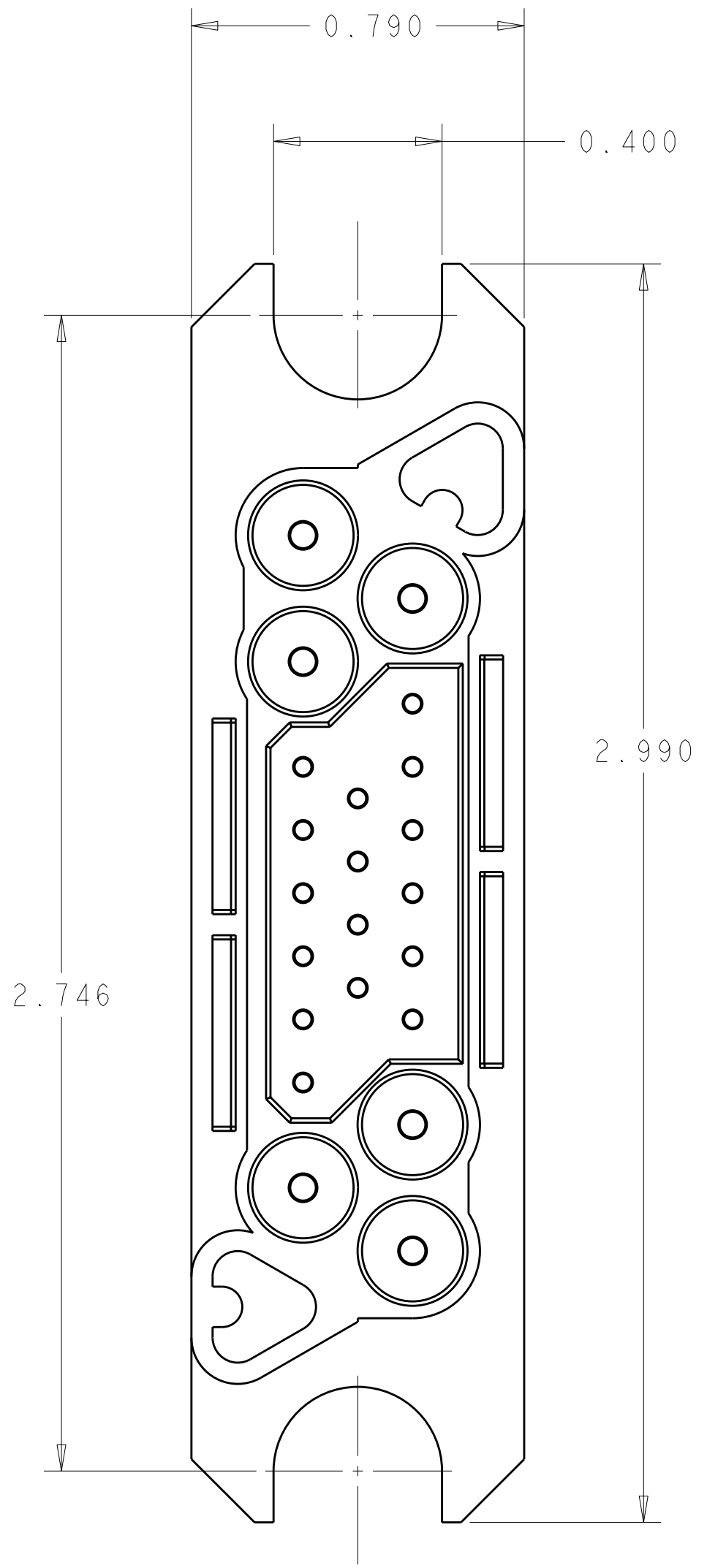
3

2

1

THIS DRAWING IS UNPUBLISHED. RELEASED FOR PUBLICATION 20
 © COPYRIGHT 20 BY TYCO ELECTRONICS CORPORATION. ALL RIGHTS RESERVED.

LOC	DIST	REVISIONS					
GP	00	P	LTR	DESCRIPTION	DATE	DWN	APVD
			A	RELEASED	02SEP2008	RG	DO



PIN CONTACT (C)
 SIZE #12

PIN CONTACT (B) (D)
 SIZE #20

PIN CONTACT (C)
 SIZE #12

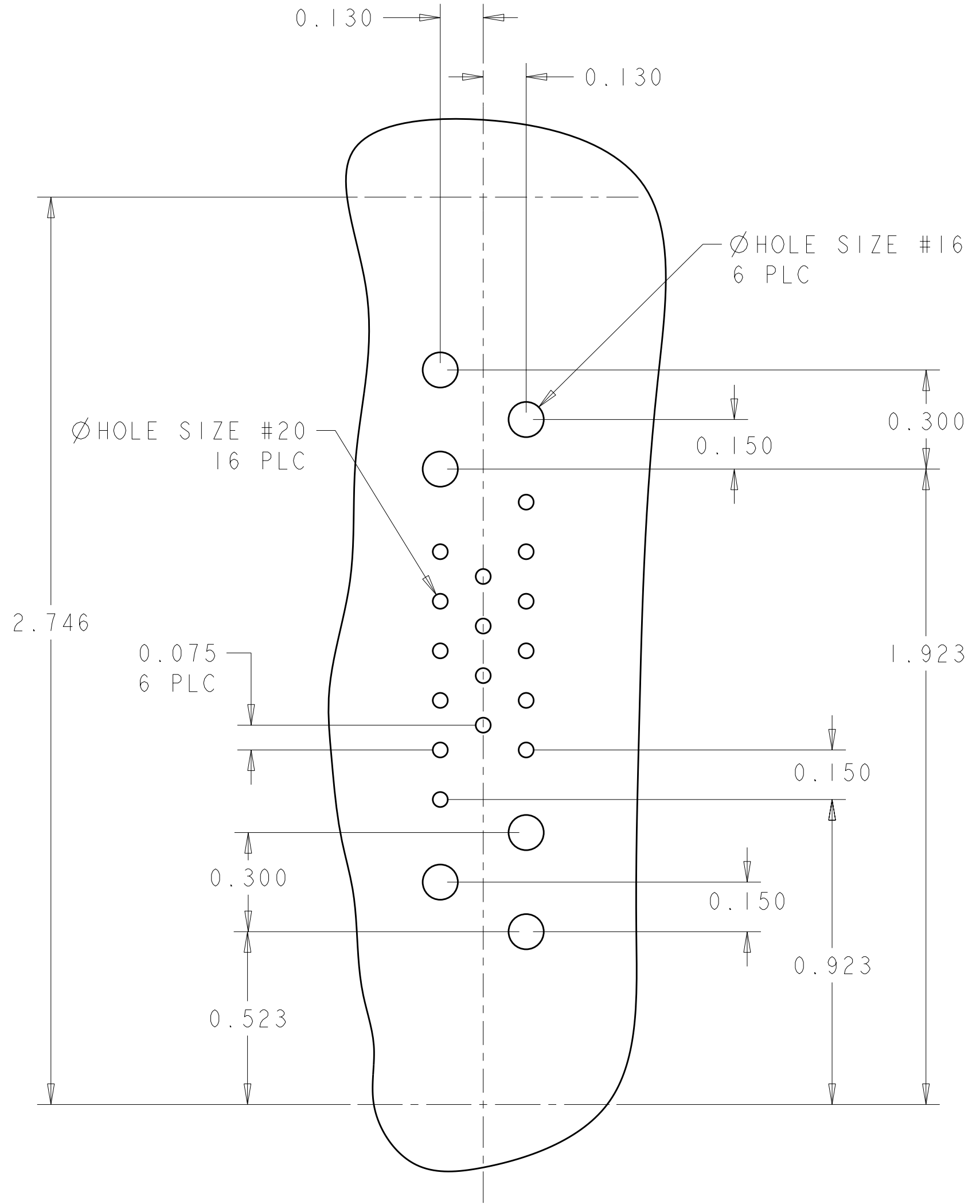
AS SHOWN	1926930-1
DESCRIPTION	PART NUMBER

THIS DRAWING IS A CONTROLLED DOCUMENT FOR TYCO ELECTRONICS CORPORATION. IT IS SUBJECT TO CHANGE AND THE CONTROLLING ENGINEERING ORGANIZATION SHOULD BE CONTACTED FOR THE LATEST REVISION.		DWN R. GRZYBOWSKI 18AUG08	Tyco Electronics Harrisburg, PA 17105-3608	
DIMENSIONS: INCHES		CHK D. ORRIS 18AUG08	NAME PIN CONNECTOR ASSEMBLY WITH PCB TAILS MINI DRAWER	
TOLERANCES UNLESS OTHERWISE SPECIFIED:		APVD M. PERCHERKE 18AUG08	SIZE A200779	
0 PLC ± 1 PLC ± 2 PLC ±.02 3 PLC ±.010 4 PLC ± ANGLES ±.5 FINISH		PRODUCT SPEC - APPLICATION SPEC -	DRAWING NO C-1926930	
MATERIAL -		WEIGHT -	RESTRICTED TO -	
CUSTOMER DRAWING		SCALE 3:1		SHEET 1 OF 2 REV A

ELCON MINI DRAWER

THIS DRAWING IS UNPUBLISHED. RELEASED FOR PUBLICATION 20
 © COPYRIGHT 20 BY TYCO ELECTRONICS CORPORATION. ALL RIGHTS RESERVED.

LOC	DIST	REVISIONS					
GP	00	P	LTR	DESCRIPTION	DATE	DWN	APVD
		-		SEE SHEET 1			



- PART NUMBER CHANGES AND OR DESIGN CHANGES AFFECTING THE INTERCHANGEABILITY REQUIRE PRIOR TYCO ELECTRONICS APPROVAL AND AUTHORIZATION BY REVISION TO THIS DRAWING.
- MATERIAL:
 INSULATOR: THERMOPLASTIC, GLASS REINFORCED, UL 94V-0
 FLAMMABILITY RATED, COLOR: BLACK
 CONTACT: COPPER ALLOY
 CROWN BAND: BERYLLIUM COPPER
 RETENTION CLIP: BERYLLIUM COPPER OR STAINLESS STEEL
- FINISH:
 CONTACTS SIZE #12 : SILVER .000200 MIN. THK. OVER
 NICKEL .000050 MIN THK.
 CONTACTS SIZE #20 : GOLD .000030 MIN. THK. OVER
 NICKEL .000050 MIN THK.
 CROWN BAND: GOLD (IN CONTACT AREA).000030 MIN. THK.
 OVER NICKEL .000050 MIN THK.

4 ITEMS PROVIDED TO THIS SPECIFICATION TO BE PERMANENTLY IDENTIFIED PER THE FOLLOWING IDENTIFIER:

YEAR WEEK

TYCO ELECTRONIC P/N DATE CODE (e.g. 0216)

XXXXXXXX-X XXXX

- 5 PCB TAIL CONTACTS ARE INSERTABLE/ NON-REMOVABLE CONTACTS LOADED IN:
- SIZE #12: POSN 1 THRU 3 AND 20 THRU 22
 - SIZE #20: STANRAD: POSN. 4 THRU 8, 10, 11 AND 13 THRU 19
 POSTMATE: 9 AND 12

PRINTED CIRCUIT BOARD LAYOUT

HOLE SIZE #16
 FINISHED HOLE: $\phi .108 \pm .003$
 DRILLED HOLE: $\phi .1065 \pm .0005$
 COPPER PLATE: .0010 - .0020
 TIN PLATE: .0002 MIN THK.

HOLE SIZE #20
 FINISHED HOLE: $\phi .047 \pm .003$
 DRILLED HOLE: $\phi .0453 \pm .0005$
 COPPER PLATE: .0010 - .0020
 TIN PLATE: .0002 MIN THK.

5	2	1650226-1	CONTACT, PIN, SIZE #20, PCB TAIL, POSTMATE	D
5	6	1766245-1	CONTACT, PIN, SIZE #12, PCB TAIL	C
5	14	1650283-1	CONTACT, PIN, SIZE #20, PCB TAIL, STD	B
	1	1648110-2	HOUSING, PCB MOUNT	A
	-1	PART NUMBER	DESCRIPTION	ITEM

THIS DRAWING IS A CONTROLLED DOCUMENT FOR TYCO ELECTRONICS CORPORATION IT IS SUBJECT TO CHANGE AND THE CONTROLLING ENGINEERING ORGANIZATION SHOULD BE CONTACTED FOR THE LATEST REVISION.		DWN R. GRZYBOWSKI 18AUG08	Tyco Electronics Harrisburg, PA 17105-3608	
DIMENSIONS: INCHES		CHK D. ORRIS 18AUG08	NAME PIN CONNECTOR ASSEMBLY WITH PCB TAILS MINI DRAWER	
TOLERANCES UNLESS OTHERWISE SPECIFIED: 0 PLC ± 1 PLC ±.02 2 PLC ±.010 3 PLC ±.010 4 PLC ± ANGLES ±.5 FINISH		APVD M. PERCHERKE 18AUG08	SIZE A200779	
MATERIAL		PRODUCT SPEC - APPLICATION SPEC -	DRAWING NO C-1926930	
		WEIGHT -	RESTRICTED TO -	
		CUSTOMER DRAWING		SCALE 3:1 SHEET 2 OF 2 REV A