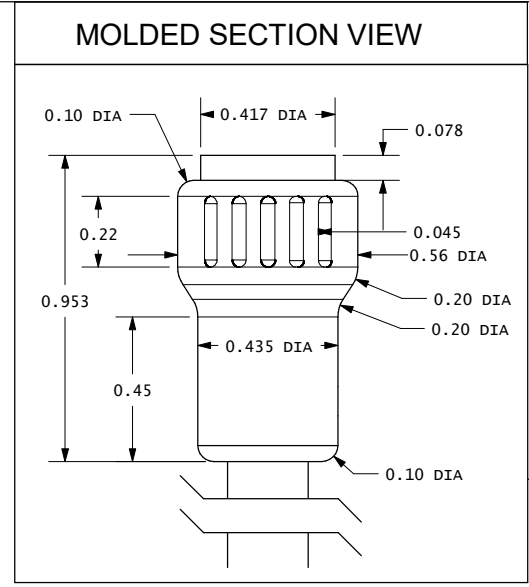
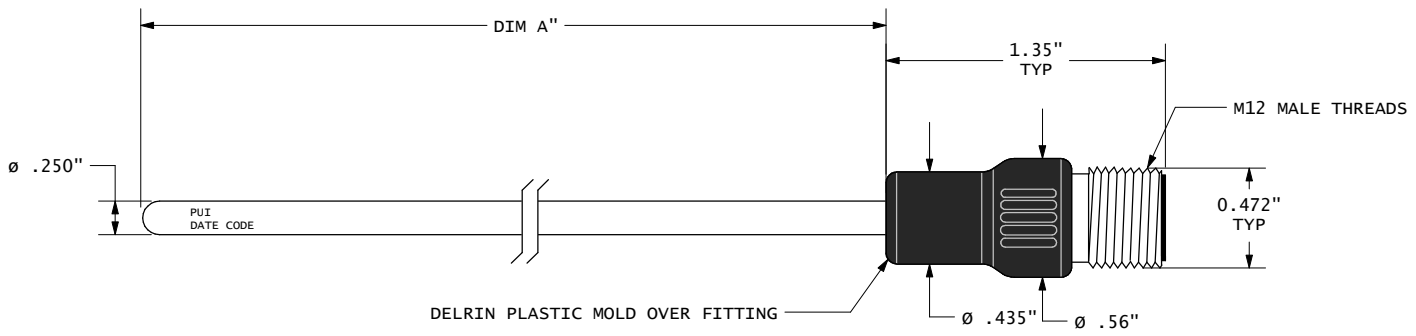


TABLE 1				TABLE 2				
PUI ITEM #	DIM A	TOLERANCE	CUSTOMER ITEM#	DWG REV	ECO NUMBER	REV BY	DATE	DESCRIPTION
P100-21040106	6	CLASS B, ± .12% [-50 °C TO +500 °C]	TBD	X1	21040101	PSM	04/01/21	INITIAL DRAWING
P100-21040112	12	CLASS B, ± .12% [-50 °C TO +500 °C]	TBD	X2	21051701	PSM	05/17/21	ADDED ANOTHER PART FOR CLASS 1/3B SENSOR
P100-21040212	12	CLASS 1/3B, ± .04% [0 °C TO +150 °C]	TBD	X3	21072901	PSM	07/29/21	REV TO ADD NOTES AND PRODUCT PHOTO

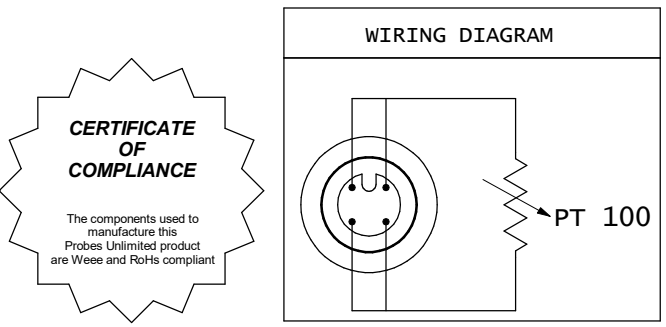
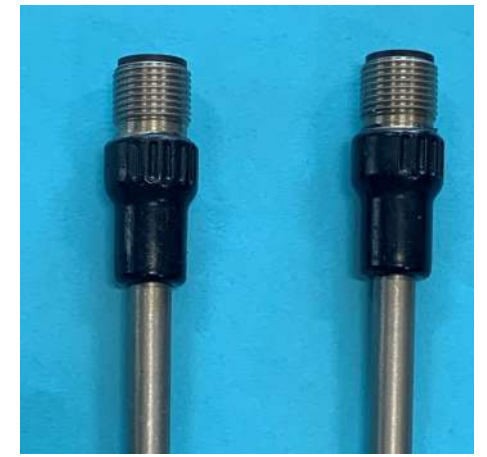


PRELIMINARY DRAWING

THIS DRAWING IS NOT FOR PRODUCTION USE OR SUBSTITUTION
FOR ANY PART UNTIL FORMAL APPROVAL AND RELEASE.

°C	OHMS	°C	OHMS	°C	OHMS
0	100.00	36	114.00	72	127.84
1	100.39	37	114.38	73	128.22
2	100.78	38	114.77	74	128.61
3	101.17	39	115.15	75	128.99
4	101.56	40	115.54	76	129.37
5	101.95	41	115.93	77	129.75
6	102.34	42	116.31	78	130.13
7	102.73	43	116.70	79	130.52
8	103.12	44	117.08	80	130.90
9	103.51	45	117.47	81	131.28
10	103.90	46	117.86	82	131.66
11	104.29	47	118.24	83	132.04
12	104.68	48	118.63	84	132.42
13	105.07	49	119.01	85	132.80
14	105.46	50	119.40	86	133.18
15	105.85	51	119.78	87	133.57
16	106.24	52	120.17	88	133.95
17	106.63	53	120.55	89	134.33
18	107.02	54	120.94	90	134.71
19	107.40	55	121.32	91	135.09
20	107.79	56	121.71	92	135.47
21	108.18	57	122.09	93	135.85
22	108.57	58	122.47	94	136.23
23	108.96	59	122.86	95	136.61
24	109.35	60	123.24	96	136.99
25	109.73	61	123.63	97	137.37
26	110.12	62	124.01	98	137.75
27	110.51	63	124.39	99	138.13
28	110.90	64	124.78	100	138.51
29	111.29	65	125.16	101	138.88
30	111.67	66	125.54	102	139.26
31	112.06	67	125.93	103	139.64
32	112.45	68	126.31	104	140.02
33	112.83	69	126.69	105	140.40
34	113.22	70	127.08	106	140.78
35	113.61	71	127.46	107	141.16


- NOTES:
- 1) SENSOR: PT100, .00385 ALPHA THIN FILM RTD SENSOR, DIN EN 60 751
SEE TABLE 1, DIM A FOR SENSOR ACCURACY
P100-21040106: ±.12% CLASS B SENSOR
P100-21040112: ±.12% CLASS B SENSOR
P100-21040212: ±.04% CLASS 1/3 DIN SENSOR
 - 2) SHEATH: SS304/316, PLASMA WELDED CLOSED ONE END, COMMERCIAL GRADE FINISH
 - 3) CONSTRUCTION: SHEATH CONTAINS MOISTURE RESISTANT POTTING COMPOUND, DELTRIN PLASTIC MOLDED OVER THE SHEATH AND FITTING
 - 4) LEADS: (4) 22 AWG, SILVER PLATED COPPER, 7/30 STRANDS, TEFLON INSULATED
 - 5) TERMINATION: M12 MALE 4 POSITIN CONNECTOR
 - 6) OPERATING TEMPERATURE: -40 °C TO +200 °C EXCEPT CONNECTOR -40 °C TO +85 °C
 - 7) APPLICATION: IMMERSION PROBE
 - 8) IP67 RATED



DWG NOT TO SCALE

QUOTE #: Q21040101 SAMPLE DATE: TBD
CUSTOMER: TBD
APPROVED:

This drawing is the intellectual property of Probes Unlimited, Inc. It is not to be reproduced without the express written consent of Probes Unlimited, disclosure of this information is expressly prohibited.
© Copyright 2021. by Probes Unlimited, Inc all International Rights reserved.



Manufacturers of OEM Sensing Devices

Probes Unlimited, Inc.
836 W. 8th Street
Lansdale, PA 19446
www.probesunlimited.com
info@probesunlimited.com

DRAWING #:	REV:
P100-310	X3
ALL DIMENSIONS ARE IN INCHES, STANDARD TOLERANCES UNLESS STATED OTHERWISE:	
X.XX" = ± .12" X.XXX" = ± .062" ANGLES = ± 3°	