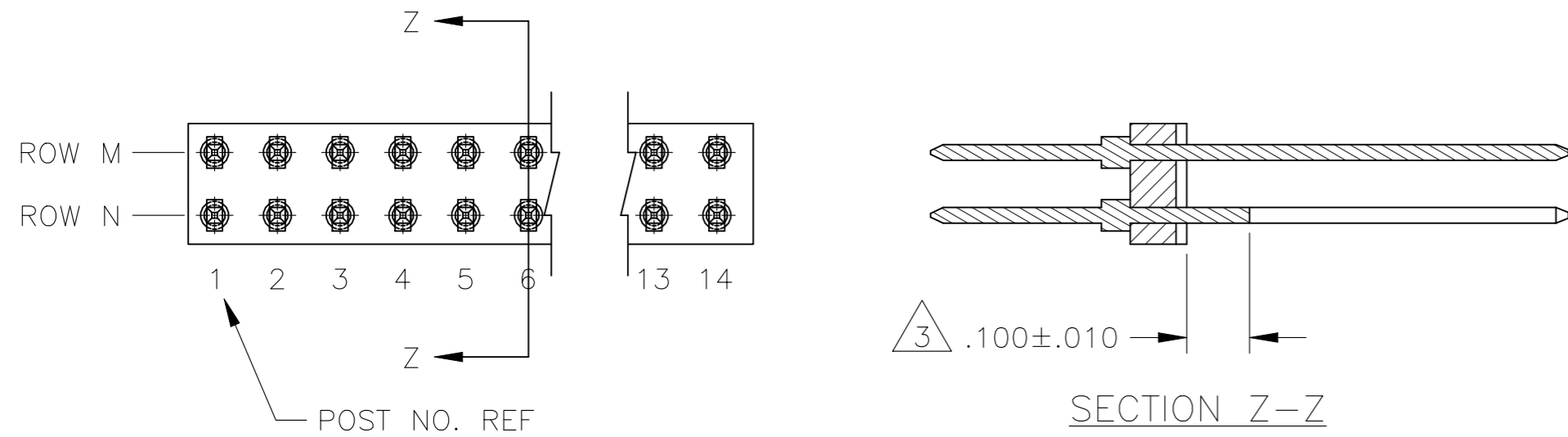
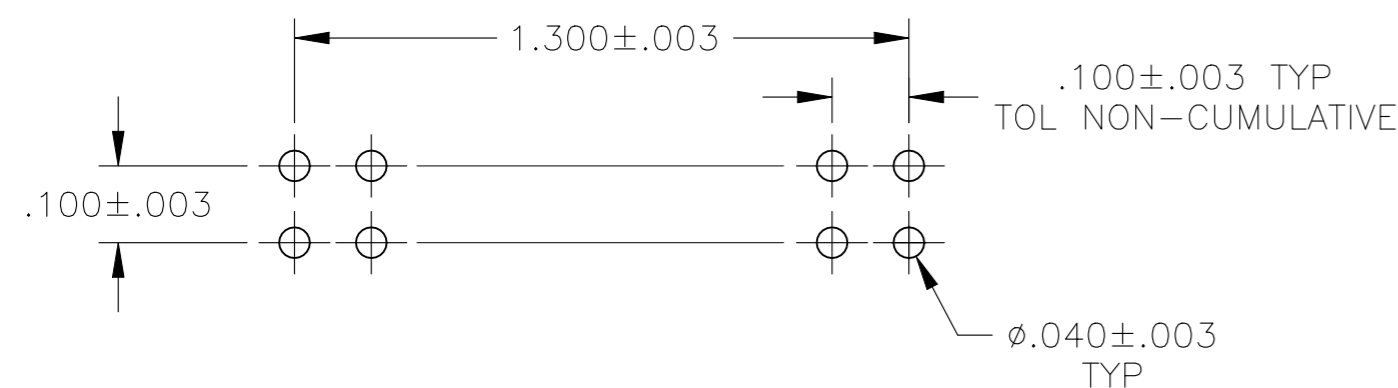
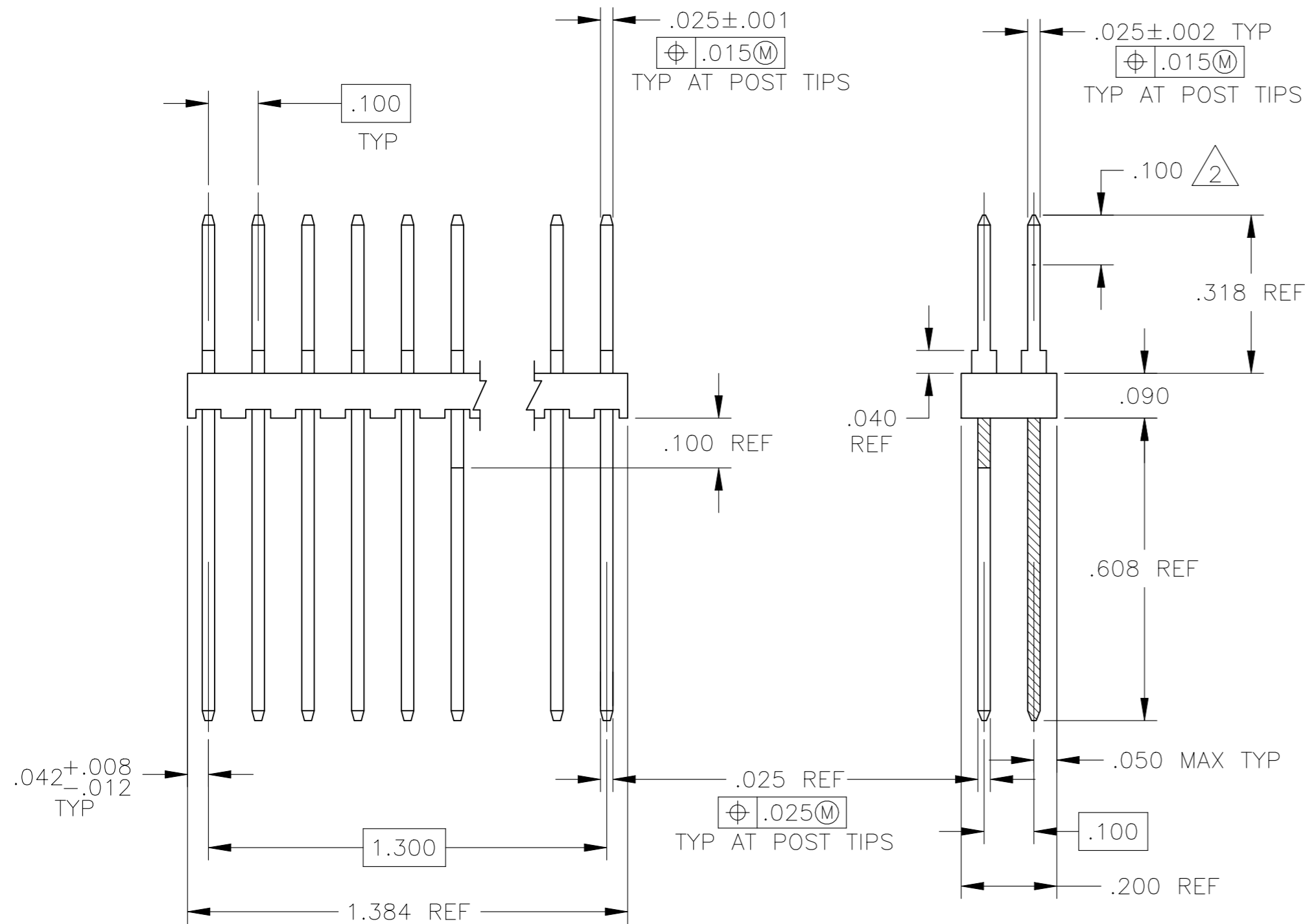


REVISIONS				
P	LTR	DESCRIPTION	DATE	APVD
B1	ECR-22-138477		10MAY2022	LP MF



1. TRUE POSITION OF POST TIPS APPLIES WHEN HEADERS ARE HELD FLAT AGAINST PRINTED CIRCUIT BOARD.
2. POINT OF MEASUREMENT FOR PLATING THICKNESS.
3. PIN N6 TO BE TRIMMED TO  $.100 \pm .010$  LENGTH AS SHOWN
4. MATERIAL: HOUSING- FLAME RETARDANT THERMOPLASTIC, COLOR-BLACK  
POSTS- PHOSPHOR BRONZE
5. FINISH: POSTS-  $.000030$  GOLD OVER  $.000050$  NICKEL



RECOMMENDED HOLE LAYOUT

28	1825646-1
NO OF POSN	ASSEMBLY PART NUMBER

THIS DRAWING IS A CONTROLLED DOCUMENT.		DWN R BROWN 24AUG2006	TE Connectivity	
DIMENSIONS: INCHES		CHK J GESFORD 24AUG2006		
TOLERANCES UNLESS OTHERWISE SPECIFIED:		APVD J GESFORD 24AUG2006	NAME	
0 PLC ± -	1 PLC ± -	PRODUCT SPEC	HEADER ASSEMBLY, MOD II, VERTICAL, DOUBLE ROW, .100X.100	
2 PLC ± -	3 PLC ± .005	APPLICATION SPEC	SIZE A2	CAGE CODE 00779
4 PLC ± -	ANGLES ± -	WEIGHT -	DRAWING NO C=1825646	RESTRICTED TO -
MATERIAL 4	FINISH 5	CUSTOMER DRAWING	SCALE 4:1	SHEET 1 of 1
			REV B1	