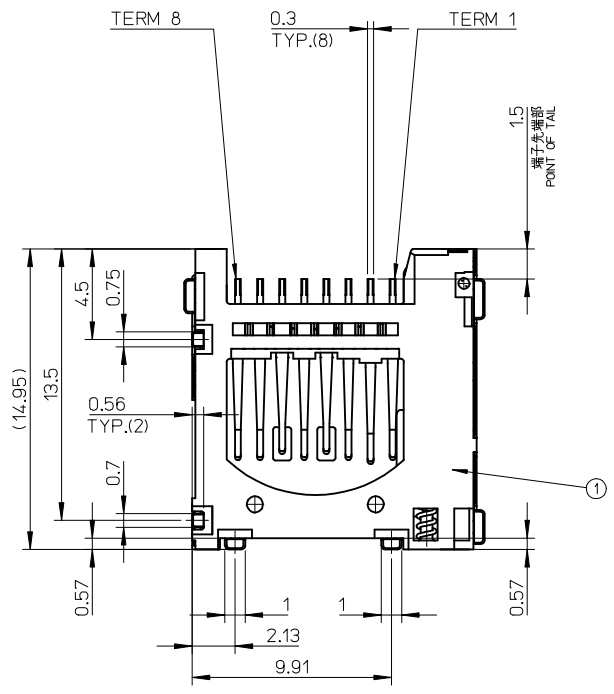
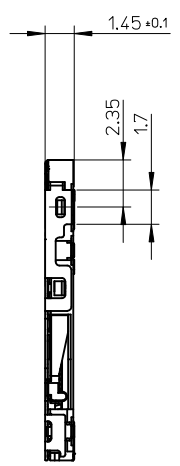


- TERM 1: DATA2
- TERM 2: CD/DAT3
- TERM 3: CMD
- TERM 4: vdd
- TERM 5: CLK
- TERM 6: VSS
- TERM 7: DAT0
- TERM 8: DAT1



503182-1853	8
EMBOSSSED TAPE	極数
ORDER No. オーダー番号	CIRCUITS
CONNECTOR SERIES No. 503182-**43	

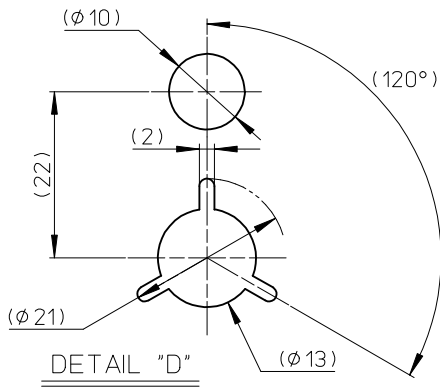
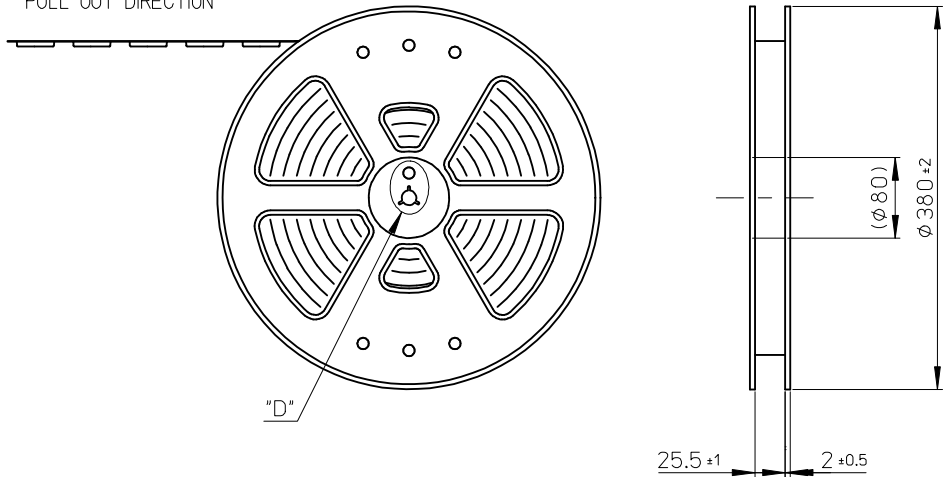
REVISED	EC No. J2013-1070	2013/03/27
	DRWN: YGOTO	2013/03/27
	CHKD: MTOMITA	2013/03/27
	APPR: YO ITO	2013/03/28
REV	DESCRIPTION	

GENERAL TOLERANCES (UNLESS SPECIFIED)	
10 UNDER	± 0.2
10 OVER 30 UNDER	± 0.25
30 OVER	± 0.3
ANGULAR	± 1 °
DRAFT WHERE APPLICABLE MUST REMAIN WITHIN DIMENSIONS	

DIMENSION STYLE		SCALE	DESIGN UNITS	THIRD ANGLE PROJECTION
MM ONLY		4:1	METRIC	
DRAWN BY	DATE	TITLE		
YGOTO	2013/03/08	MICRO SD CONN. NORMAL ULTRA LOW-PROFILE ASSY		
CHECKED BY	DATE			
MTOMITA	2013/03/08			
APPROVED BY	DATE			
YO ITO	2013/03/12			
MATERIAL NO.		DOCUMENT NO.		SHEET NO.
SEE CHART		SD-503182-015		1 OF 2
SIZE	THIS DRAWING CONTAINS INFORMATION THAT IS PROPRIETARY TO MOLEX INCORPORATED AND SHOULD NOT BE USED WITHOUT WRITTEN PERMISSION			
A3				

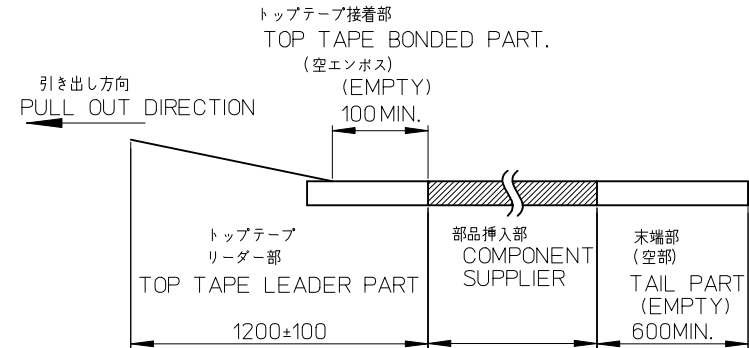
DRAWN BY		DATE	TITLE	
YGOTO		2013/03/08	MICRO SD CONN. NORMAL ULTRA LOW-PROFILE ASSY	
CHECKED BY		DATE		
MTOMITA		2013/03/08		
APPROVED BY		DATE		
YO ITO		2013/03/12		
MATERIAL NO.		DOCUMENT NO.		SHEET NO.
SEE CHART		SD-503182-015		1 OF 2
SIZE	THIS DRAWING CONTAINS INFORMATION THAT IS PROPRIETARY TO MOLEX INCORPORATED AND SHOULD NOT BE USED WITHOUT WRITTEN PERMISSION			
A3				

引き出し方向
PULL OUT DIRECTION



NOTES

- 製品詳細寸法は製品単体図面を参照して下さい。
FOR DETAIL OF CONNECTOR DIMENSIONS, PLEASE SEE THE DRAWING OF CONNECTOR ITSELF (NOT PACKAGED).
- 梱包数量: 1600個/リール
NUMBER OF CONNECTORS: 1600 PCS/REEL.
- リードテープ長さ LEAD TAPE LENGTH.



- 材料 MATERIAL
キャリアテープ(CARRIER TAPE): ポリスチレン (POLYSTYRENE)
トップテープ(TOP TAPE): PET, OTHER
リール(REEL): ポリスチレン(PS)<リサイクル材含む>
POLYSTYRENE (PS)<RECYCLE MATERIAL CONTAINED>
- ELV AND RoHS COMPLIANT

503182-1853	8
EMBOSSED TAPE	極数
ORDER No. オーダー番号	CIRCUITS
CONNECTOR SERIES No. 503182-***43	

RELEASED EC NO.: J2013-0986 DRWN: YGOTO 2013/03/08 CHKD: MTOMITA 2013/03/08 APPR: YOITO 2013/03/12	DESCRIPTION REV: A	GENERAL TOLERANCES (UNLESS SPECIFIED)		DIMENSION STYLE MM ONLY		SCALE ---	DESIGN UNITS METRIC	THIRD ANGLE PROJECTION		
		10 UNDER	±0.2	DRAWN BY YGOTO	DATE 2013/03/08	TITLE MICRO SD CONN. ULTRA LOW-PRO EMBOSSED TAPE PACKAGE				
		10 OVER 30 UNDER	±0.25	CHECKED BY MTOMITA	DATE 2013/03/08	DOCUMENT NO. SD-503182-016				
		30 OVER	±0.3	APPROVED BY YOITO	DATE 2013/03/12	SHEET NO. 1 OF 2				
		ANGULAR ±1 °		MATERIAL NO. SEE CHART						
		DRAFT WHERE APPLICABLE MUST REMAIN WITHIN DIMENSIONS		THIS DRAWING CONTAINS INFORMATION THAT IS PROPRIETARY TO MOLEX INCORPORATED AND SHOULD NOT BE USED WITHOUT WRITTEN PERMISSION						

10 9 8 7 6 5 4 3 2 1

F

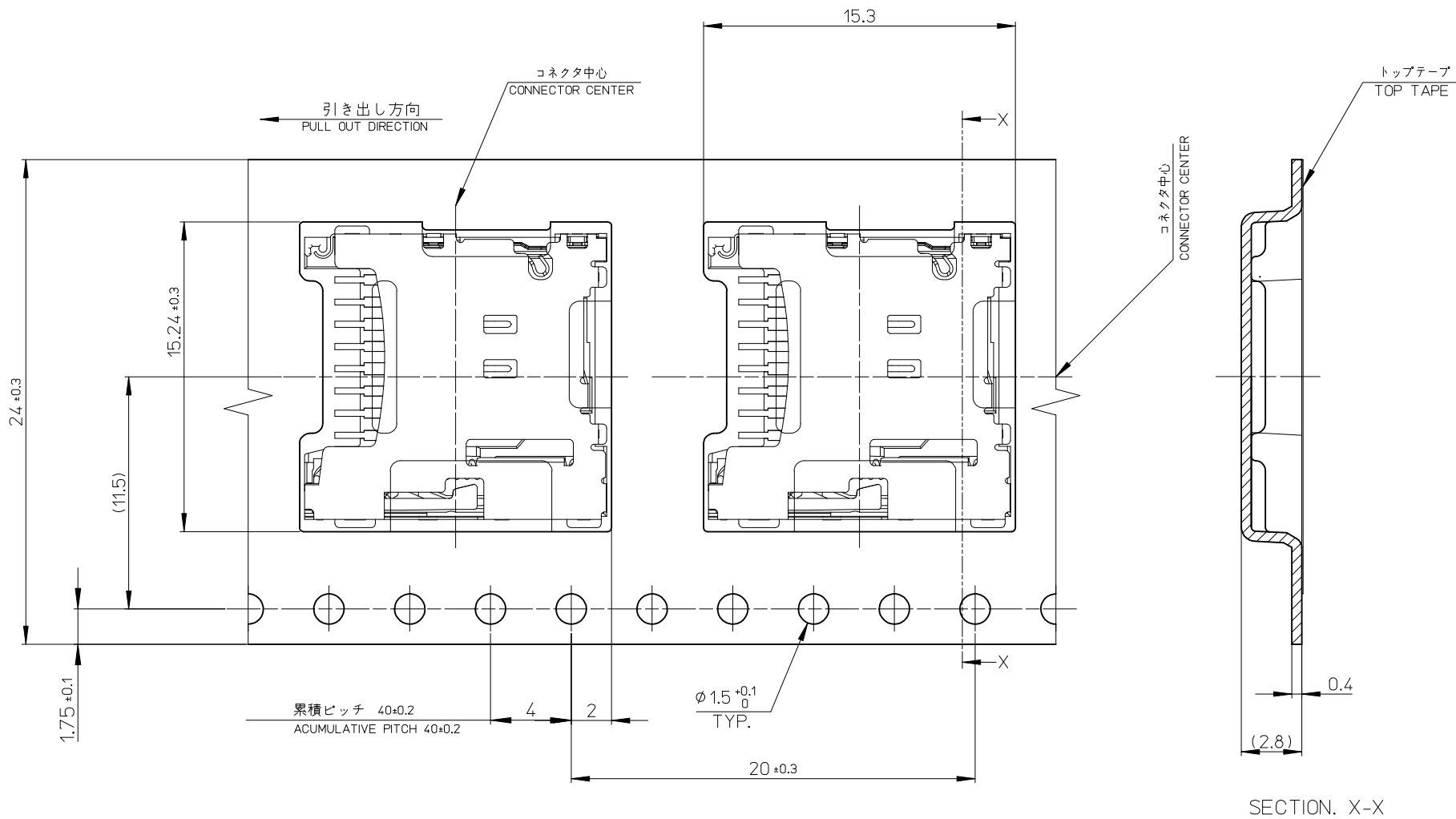
E

D

C

B

A



RELEASED EC NO: J2013-0986 DRWN: YGOTO CHKD: MTOMITA APPR: YOITO	2013/03/08 2013/03/08 2013/03/12	GENERAL TOLERANCES (UNLESS SPECIFIED)		DIMENSION STYLE	SCALE	DESIGN UNITS	THIRD ANGLE PROJECTION	
				MM ONLY	5:1	METRIC		
		10 UNDER	± 0.2	DRAWN BY	DATE	TITLE		
		10 OVER 30 UNDER	± 0.25	YGOTO	2013/03/08	MICRO SD CONN. ULTRA LOW-PRO EMBOSSED TAPE PACKAGE molex		
30 OVER	± 0.3	CHECKED BY	DATE	DOCUMENT NO.				
ANGULAR $\pm 1^\circ$		MTOMITA	2013/03/08	SD-503182-016		2 OF 2		
DRAFT WHERE APPLICABLE MUST REMAIN WITHIN DIMENSIONS		YOITO	2013/03/12	SEE SHEET 1 OF 2		THIS DRAWING CONTAINS INFORMATION THAT IS PROPRIETARY TO MOLEX INCORPORATED AND SHOULD NOT BE USED WITHOUT WRITTEN PERMISSION		
A	REV			SIZE				
				A3				

9 8 7 6 5 4 3 2