

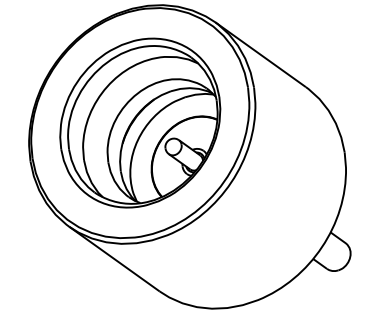
NOTES:

1. MATERIALS AND FINISHES:
 - BODY - STAINLESS STEEL, PASSIVATED
 - INSERT - BRASS, GOLD PLATING OVER NICKEL
 - CONTACT - BERYLLIUM COPPER, GOLD PLATING OVER NICKEL
 - INSULATOR - PTFE
2. ELECTRICAL:
 - A. IMPEDANCE: 50 OHM
 - B. FREQUENCY RANGE: DC - 12 GHz
 - C. VSWR: 1.20 MAX
 - D. DIELECTRIC WITHSTANDING VOLTAGE - 500 VRMS MIN
3. MECHANICAL:
 - A. TEMPERATURE RANGE: -65° C TO +165° C
 - B. DURABILITY: 500 CYCLES MIN.
4. PACKAGING:
 - A. QUANTITY: TAPE AND REEL PACKING AS SHOWN IN SHEET 3.
 - B. MARKING: BAG TO BE MARKED "AMPHENOL RF, SMP-MSFD-PCT-2 , AND DATE CODE"

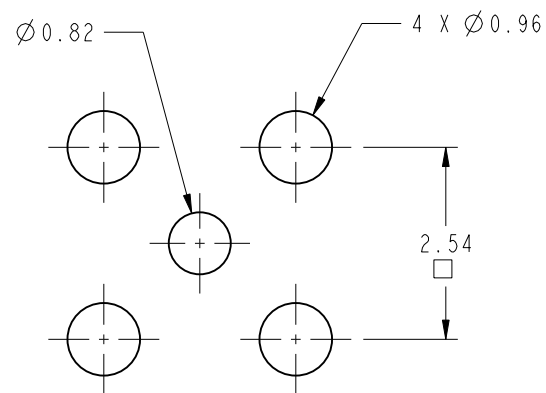
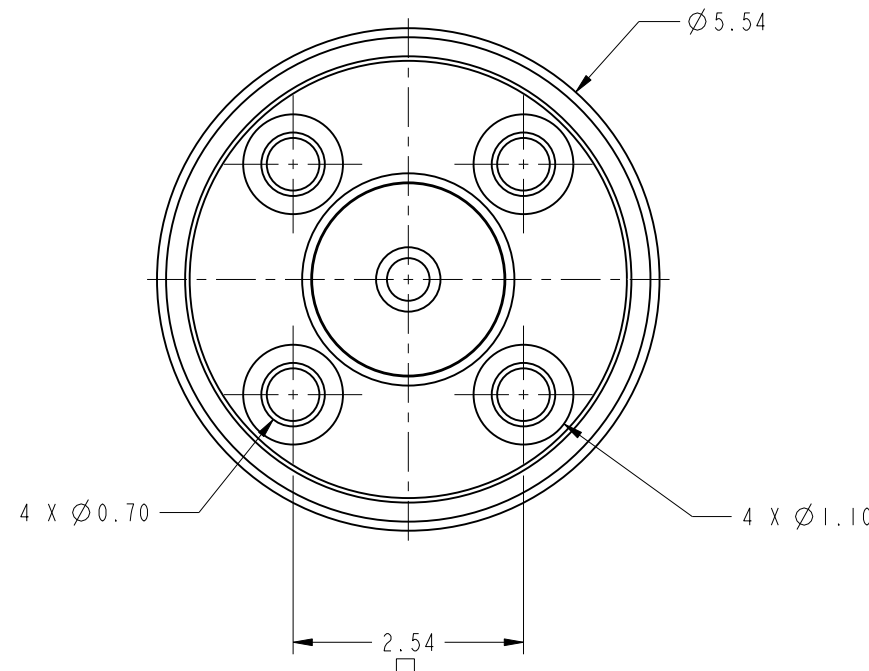
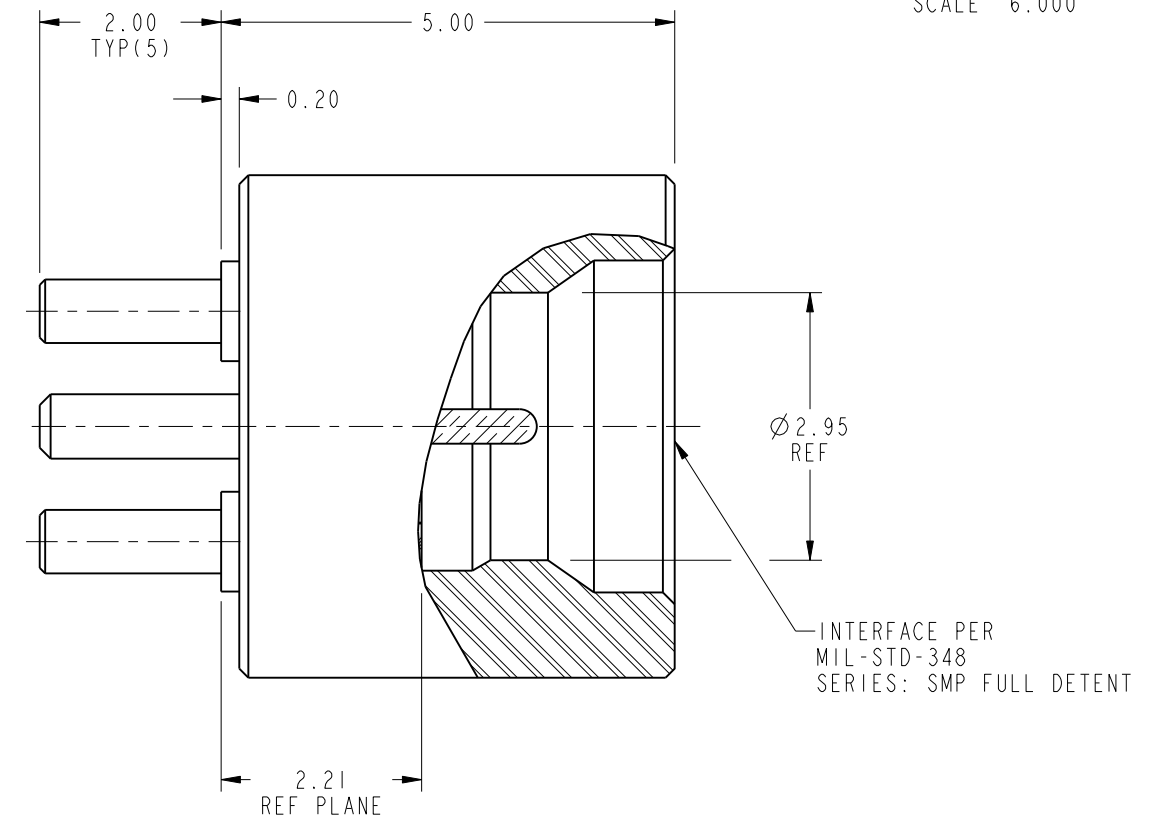
THIRD ANGLE PROJ.

REVISIONS

REV	DESCRIPTION	DATE	ECO	APPR
A	RELEASE TO MFG.	6/22/09	47647	BM



SCALE 6.000



SCALE 10.000

RECOMMENDED MOUNTING HOLE DIMENSION

CUSTOMER OUTLINE DRAWING

ALL OTHER SHEETS ARE FOR INTERNAL USE ONLY

UNLESS OTHERWISE SPECIFIED, DIMENSIONS ARE IN METRIC AND TOLERANCES ARE:
 <0.5mm ± 0.05mm 0.5 - 6mm ± 0.1mm 6 - 30mm ± 0.2mm 30 - 120mm ± 0.3mm ANGLES ± 1°

NOTICE - These drawings, specifications, or other data (1) are, and remain the property of Amphenol corp. (2) must be returned upon request; and (3) are confidential and not to be disclosed to any person other than those to whom they are given by Amphenol Corp. the finishing of these drawings, specifications, or other data by Amphenol Corp., or to any other person to anyone for any purpose is not to be regarded by implication or otherwise in any manner licensing, granting rights to permitting such holder or any other sperson to manufacture, use or sell any product, process or design, patented or otherwise, that may in any way be related to or disclosed by said drawings, specifications, or other data.

MATERIAL -- SEE NOTES	DRAWN BALAJI M	DATE 17-Jun-09	TITLE ASSEMBLY SMP, JACK FULL DETENT	Amphenol RF Danbury CT USA, Tainan, Taiwan, Shenzhen, China www.amphenolrf.com	
REFERENCE EAR #3462 AND 615X-2413-100	ENGINEER BALAJI M	DATE 17-Jun-09		DRAWING NO. SMP-MSFD-PCT-2	
CONFIGURATION LEVEL: Prototype	APPROVED K. CAPOZZI	DATE 6/19/09	SCALE: 12.0:1.0	SHEET 2 OF 3	ITEM NO. SMP-MSFD-PCT-2
FINISH	Root Folder/SMP/SMP-MSFD-PCT-2	DWG SIZE B	REV A	PART NO. SMP-MSFD-PCT-2	