

NOTES: VALID UNLESS OTHERWISE SPECIFIED

1. GENERAL:

- a. APPLICATION SPECIFICATION: AS-31386-200
- b. PRODUCT SPECIFICATION: PS-31387-200
- c. PACKAGING SPECIFICATION: PK-31301-916
- d. PARTS MUST BE IN COMPLIANCE TO MOLEX CHEMICAL SUBSTANCES FOR PRODUCTS AND PACKAGING SPECIFICATION: ES-40000-5016
- e. DATA MUST BE SUBMITTED UNDER THE MOLEX PART NUMBER TO IMDS (COMPANY ID#13255)
- f. DIMENSIONS AND TOLERANCES ARE VALID FOR AS SHIPPED SHROUD ASSEMBLY
- g. REFERENCE GM INTERFACE CONTROL DRAWINGS (ICD)
 - 1. 12582682 (Au)
 - 2. 12642695 (Ag)

2. DESIGN - MATERIALS:

- a. PLASTIC: PBT 30% GF - SEE CHART FOR COLOR
- b. SIGNAL PIN PLATING:
 - UNDERPLATE: NICKEL 1.27-2.54 μ m
 - SELECT GOLD OPTION: 0.76 μ m MIN.
 - SELECT SILVER OPTION: 1.90-3.30 μ m MIN
 - SOLDER TAIL SELECT TIN: 5.08-10.16 μ m BRIGHT FINISH

3. DESIGN - GEOMETRY:


- a. THIS IS A 100% CAD GENERATED PART. THE CAD MATHEMATICAL DATA IS THE MASTER FOR ALL NON-DIMENSIONAL FEATURES. DRAWING DIMENSIONS SHALL BE MET WHEN DIFFERENCES EXIST BETWEEN THE DRAWING AND THE CAD MODEL. UNDERLINED DIMENSIONS OR DIMENSIONS INDICATED AS "EDITED" MAY BE DIFFERENT FROM THE 3D MODEL GEOMETRY. FOR DIMENSIONAL OR ANY INFORMATION NOT SHOWN ON THIS DRAWING, ANALYZE THE CAD MODEL.
- b. PRODUCT DESIGN MODEL NUMBER(S): SEE BOM TABLE
- c. GEOMETRIC DIMENSIONS AND TOLERANCES PER ASME Y14.5M-1994
- d. GENERAL TOLERANCES - SEE TABLE

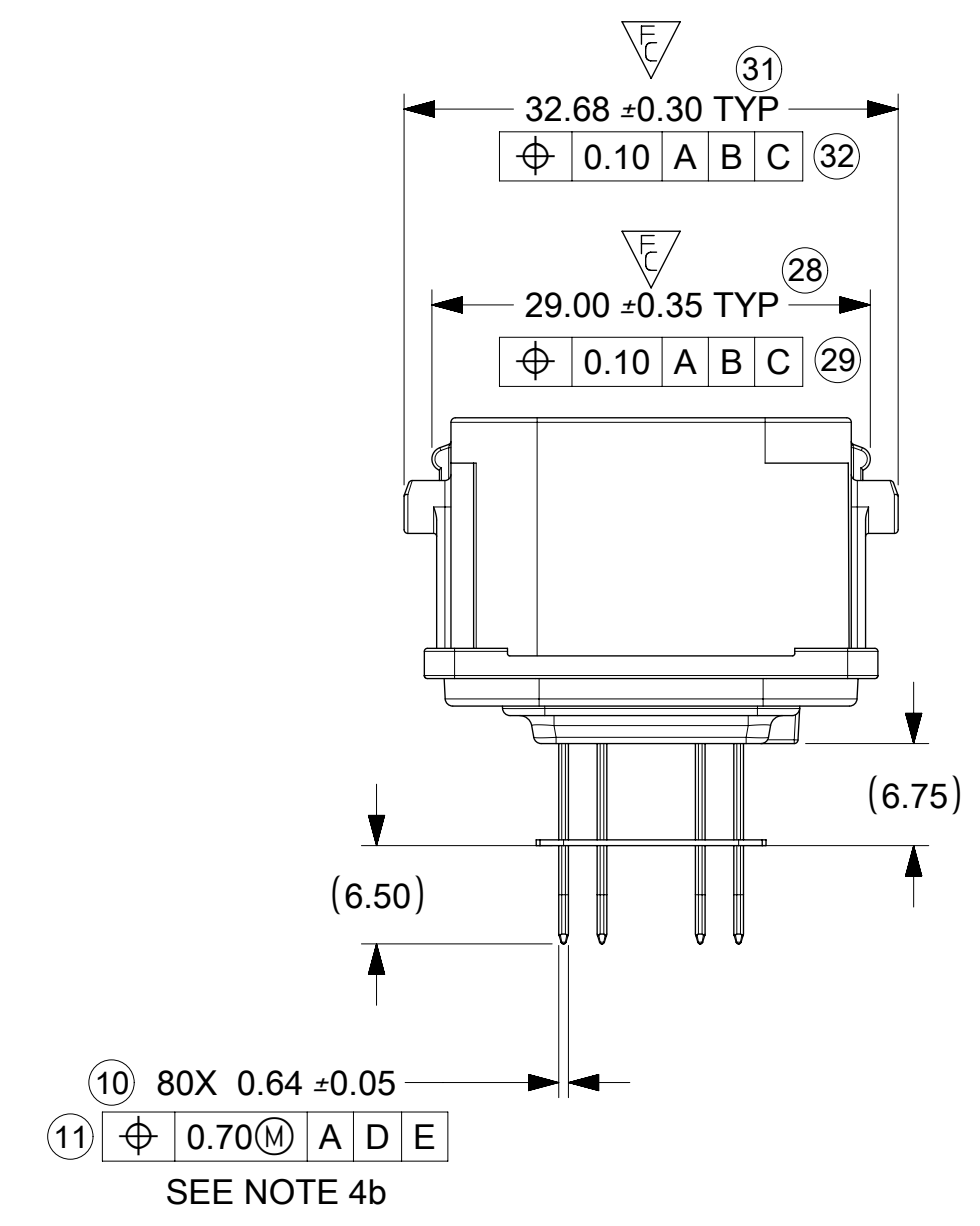
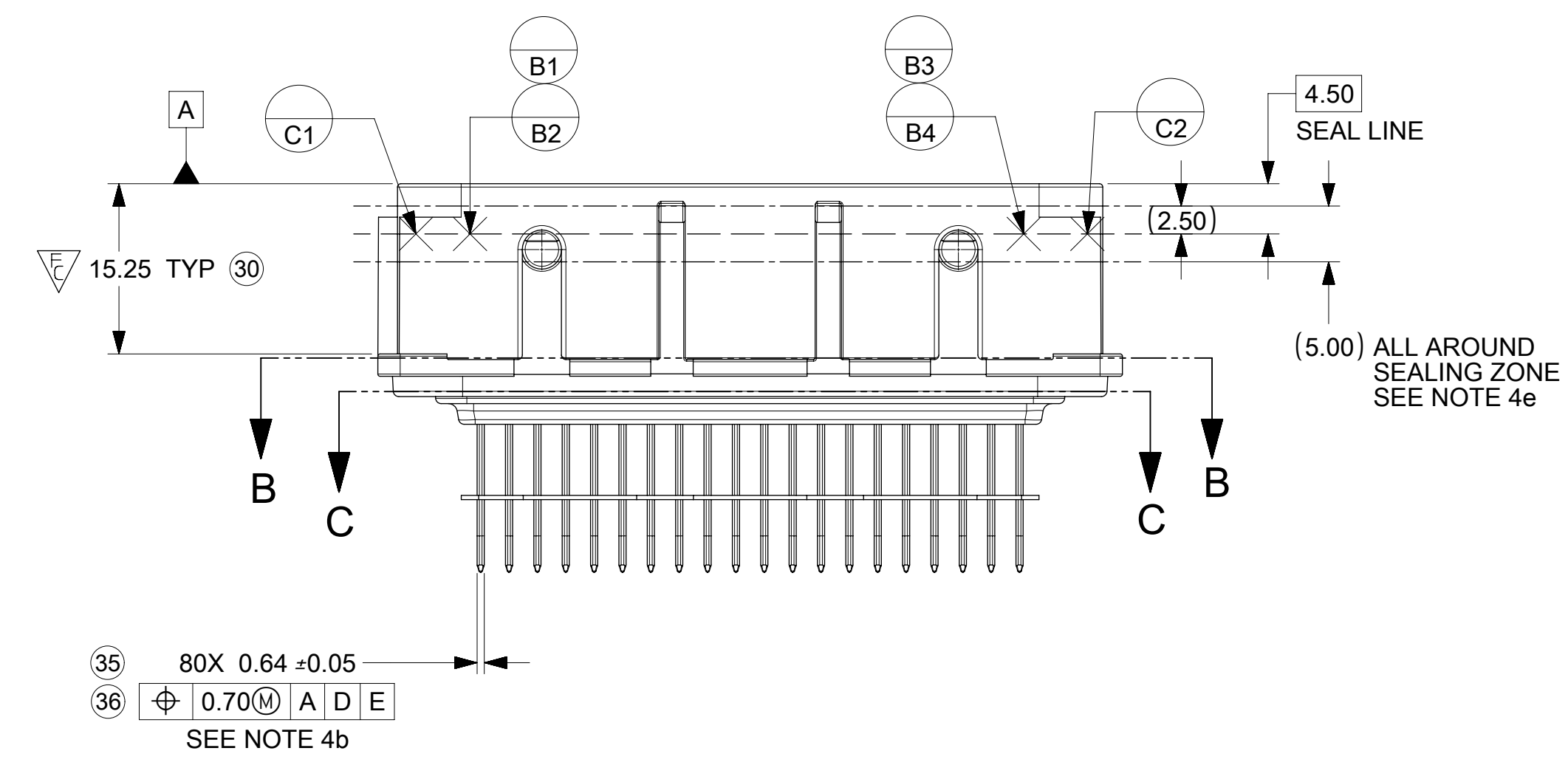
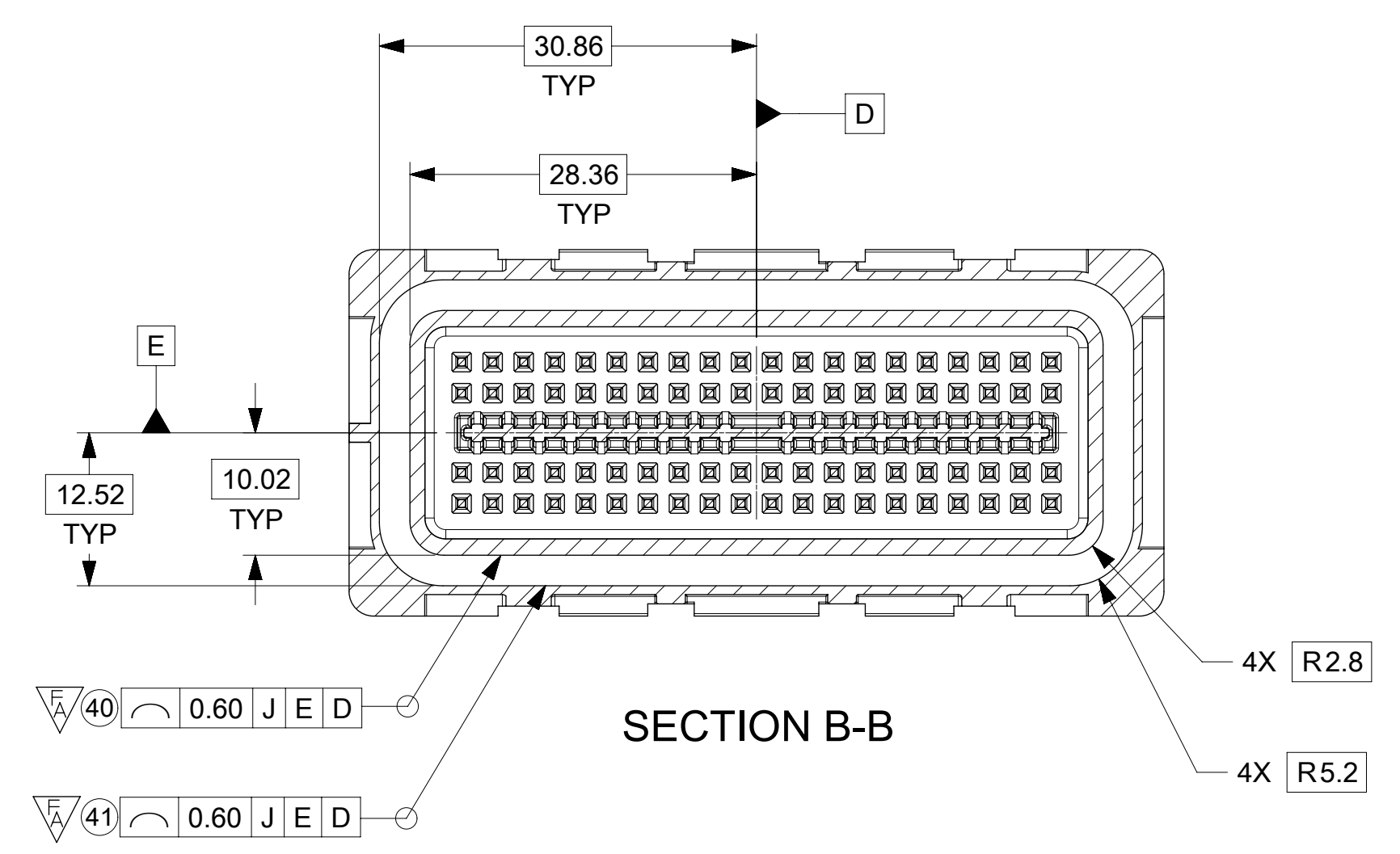
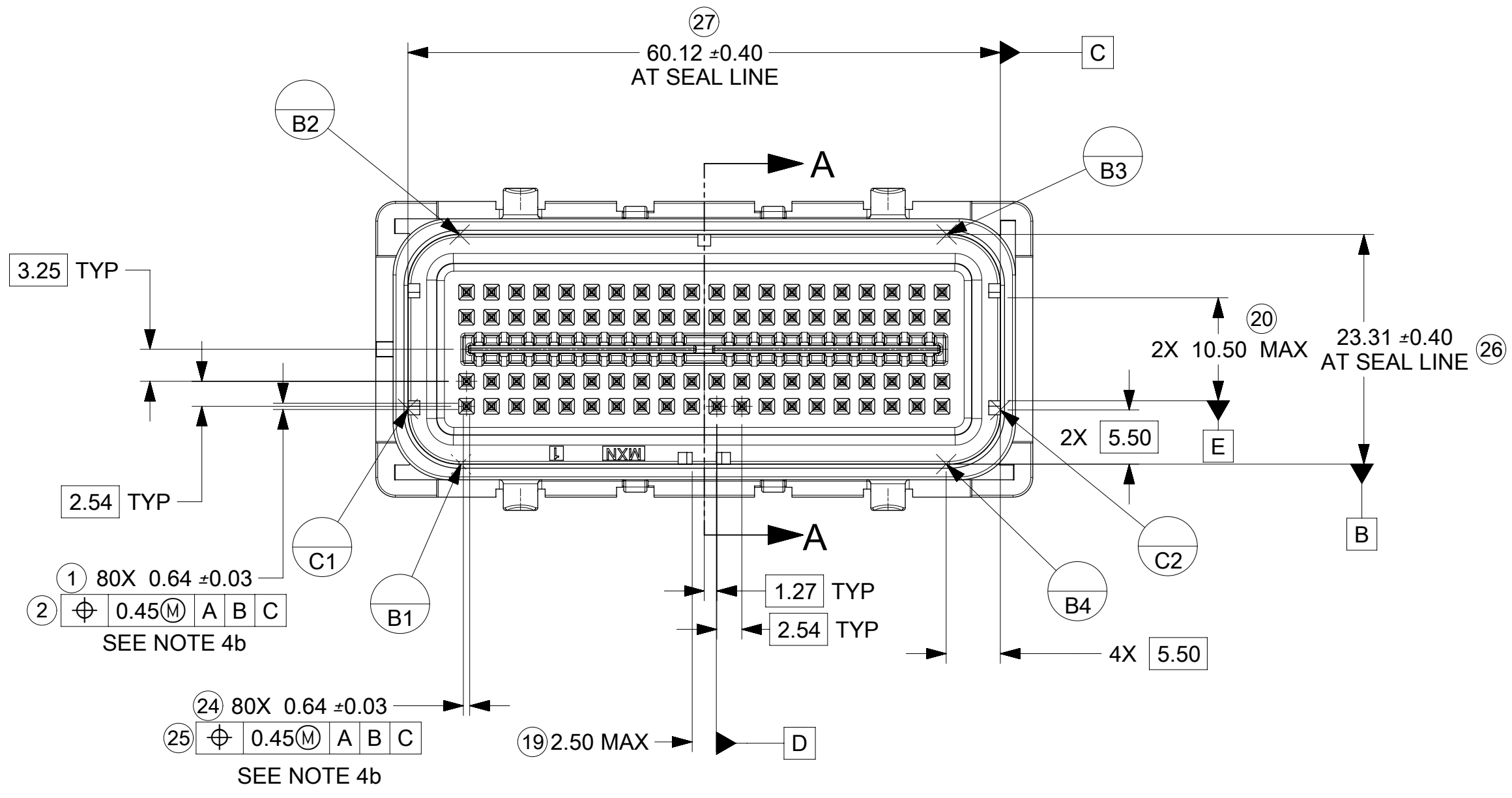
4. DESIGN - MANUFACTURING:

- a. HUMAN READABLE LASER MARKING
 - 1. INFORMATION TO BE PRINTED:
 - DDDY - 4 DIGIT JULIAN DATE CODE
 - S_HH - STITCHER NUMBER_HOUR NUMBER (24 HOUR CLOCK)
 - MMMM - LAST FOUR DIGITS OF MOLEX MATERIAL NUMBER
 - 2. SIZE: HUMAN LEGIBLE
- b. PIN MATE SIDE AND PCB SIDE TRUE POSITION TO BE VERIFIED ONLINE WITH A GO/NO-GO FUNCTIONAL GAGE.
- c. ANTI-TARNISH FOR Ag PLATING ONLY: SYTHETIC HYDROCARBON CONTACT SURFACE FINISH OR EQUIVALENT APPLIED WITHOUT VOID TO CONTACT AREA (MIN. 3.7mm FROM PIN TIP).
- d. VISUAL DEFECTS SHALL MEET COSMETIC STANDARD PS-45499-002 (CLASS B). WITHIN THE SEALING SURFACE/ZONE SUCH AS PARTING LINES, MISMATCHES, SINK, TEXTURE VARIATIONS, SCRATCHES/GOUGES, SHORT FILL, PROTRUSIONS, PITS, DENTS/NICKS, BLISTERS OR EJECTOR MARKS.

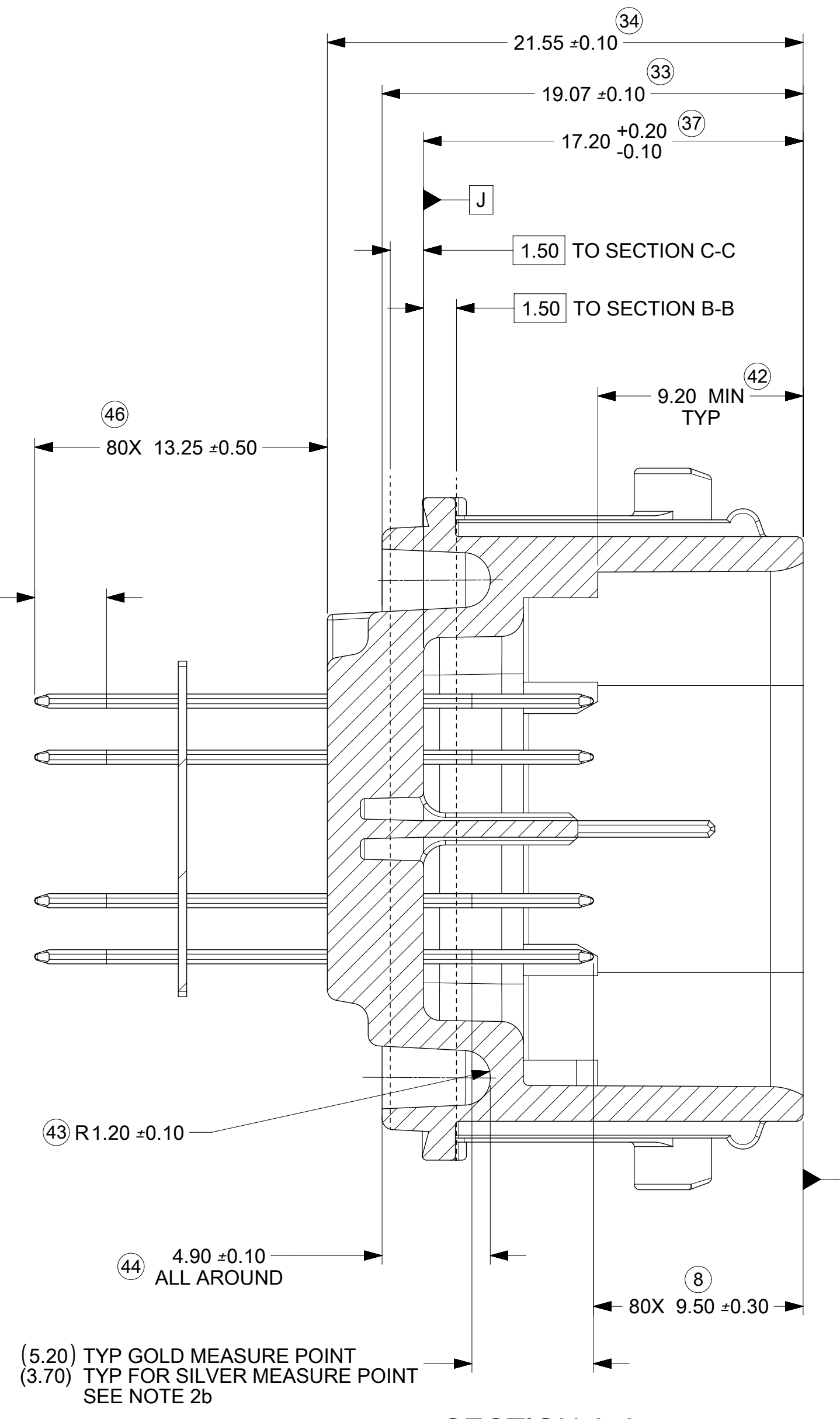
INSPECTION BALLOON NUMBER LOG	
PER DRAWING REVISION: B6	
LAST BALLOON NUMBER: 47	
ADDED BALLOON NUMBER: 1 2 8 10 11 19 20 24 25 26 27 28 29 30 31 32 33 34 35	
36 37 38 39 40 41 42 43 44 46 47	
DELETED INSPECTION BALLOON NUMBER: 3 4 5 6 7 9 12 13 14 15 16 17 18 21 22 23 45	

B11	UPATED PCN 505530 FOR MINOR DRAFT AND RADII
B10	NX REMASTERING
B9	CORRECTED KEY H 'DIM B' VALUE
B8	CORRECTED KEY H 'DIM A' VALUE; CHANGE STATUS TO SALEABLE
B7	UPDATED NOTE 1c SAP# 10595870
B6	ADDED NOTE 4d, e & SEALING ZONE ON PG 2 SAP# 10586362
B5	ADDED BALLOON NUMBERS 1,2,10,11,19,20, 24-44,46,47; DELETED BALLOON NUMBERS 3-7,9,12-15,17, 18, 21-23, 45 EDITED ALL NOTES, STATUS & MATING HARNESS PART NUMBER SAP# 10580347
REV	DESCRIPTION

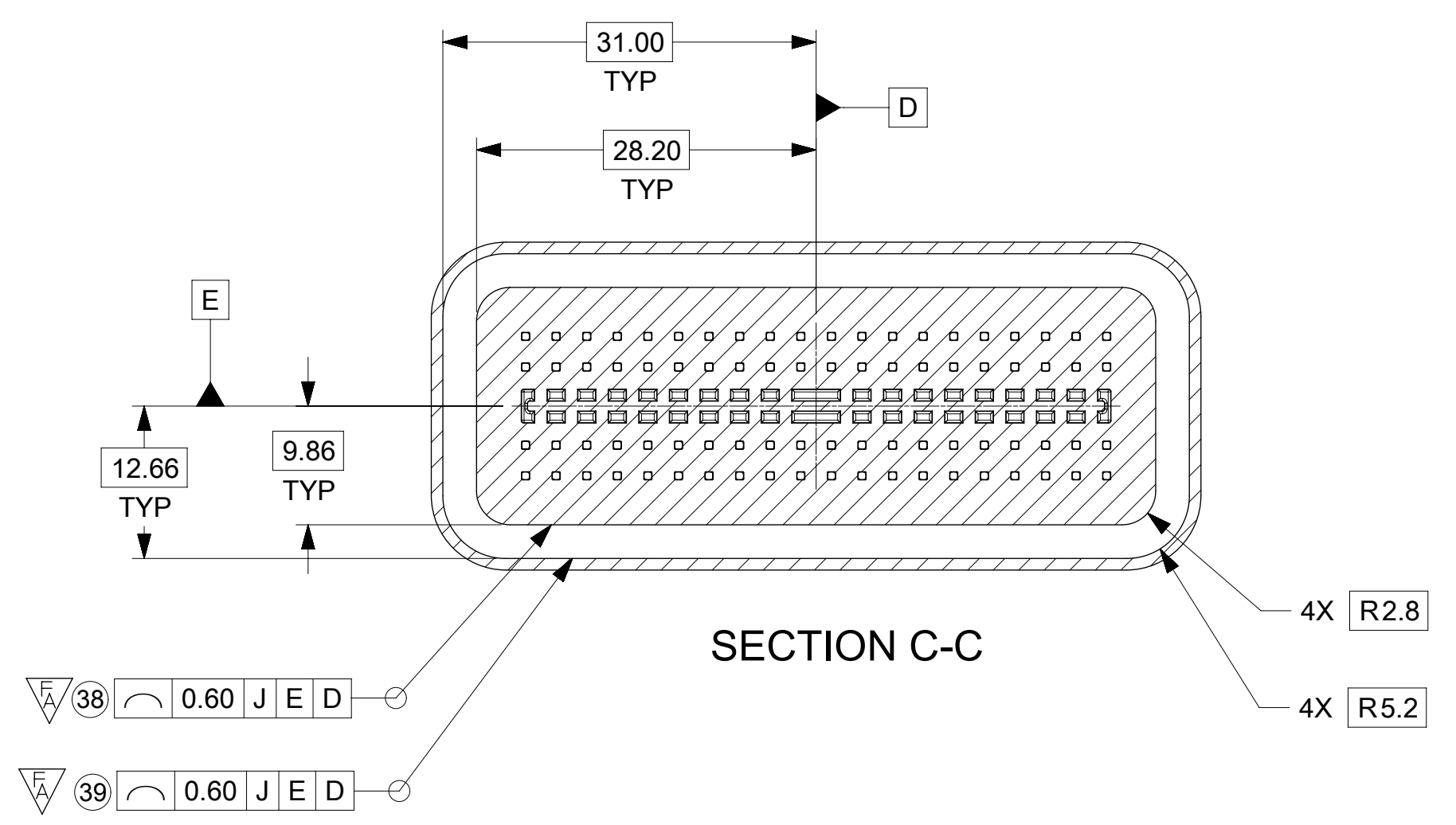
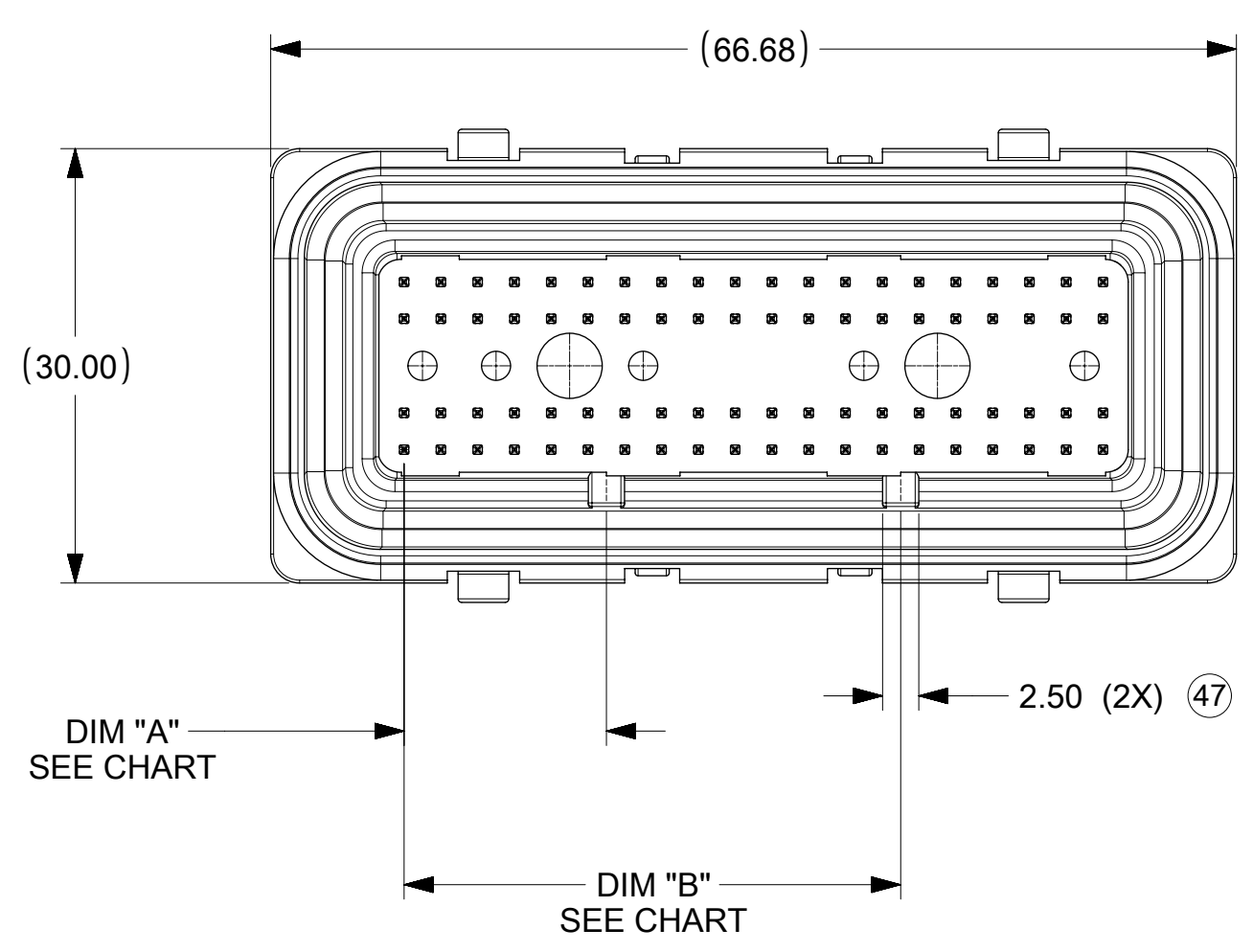
THIS DRAWING CONTAINS INFORMATION THAT IS PROPRIETARY TO MOLEX ELECTRONIC TECHNOLOGIES, LLC AND SHOULD NOT BE USED WITHOUT WRITTEN PERMISSION													
QUALITY SYMBOLS	EC NO: 606583 DRWN: BSKANTHARAJU CHKD: DKRAWCZYK REV APPR: DKRAWCZYK				GENERAL TOLERANCES (UNLESS SPECIFIED) DIMENSION UNITS: MM SCALE: 2:1 DRWN BY: FJAKLIC DATE: 04/30/08 CHKD BY: FJAKLIC DATE: 04/30/08 APPR BY: GPRATT DATE: 05/05/08		 80 CKT SHROUD ASSEMBLY 0.64 SQ. PINS MX123						
▽ = 0 ▽ = 0 ▽ = 0 ▽ = 0 ▽ = 0 ▽ = 0 ▽ = 0 ▽ = 0	DIMENSION UNITS: MM SCALE: 2:1 DRWN BY: FJAKLIC DATE: 04/30/08 CHKD BY: FJAKLIC DATE: 04/30/08 APPR BY: GPRATT DATE: 05/05/08				PRODUCT CUSTOMER DRAWING SERIES: 31387 MATERIAL NUMBER: SEE CHART CUSTOMER: GENERAL MARKET								
DRAFT WHERE APPLICABLE MUST REMAIN WITHIN DIMENSIONS		D		THIRD ANGLE PROJECTION		DOCUMENT NUMBER: SD-31387-080		DOC TYPE: PSD		DOC PART: 000		SHEET NUMBER: 1 OF 3	



SIGNAL PIN (3.25) TYP
TIN MEASURE POINT
SEE NOTE 2b



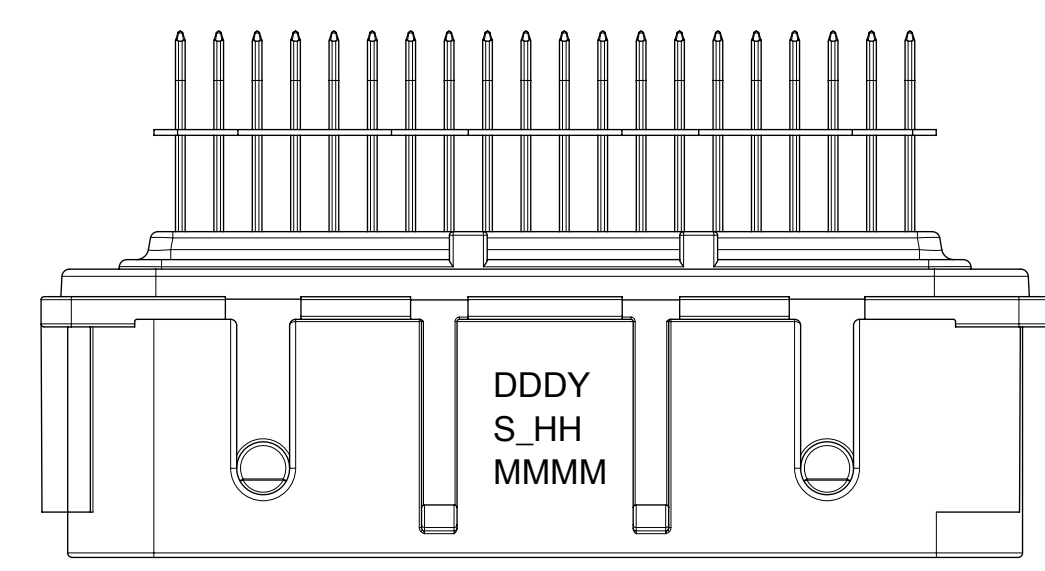
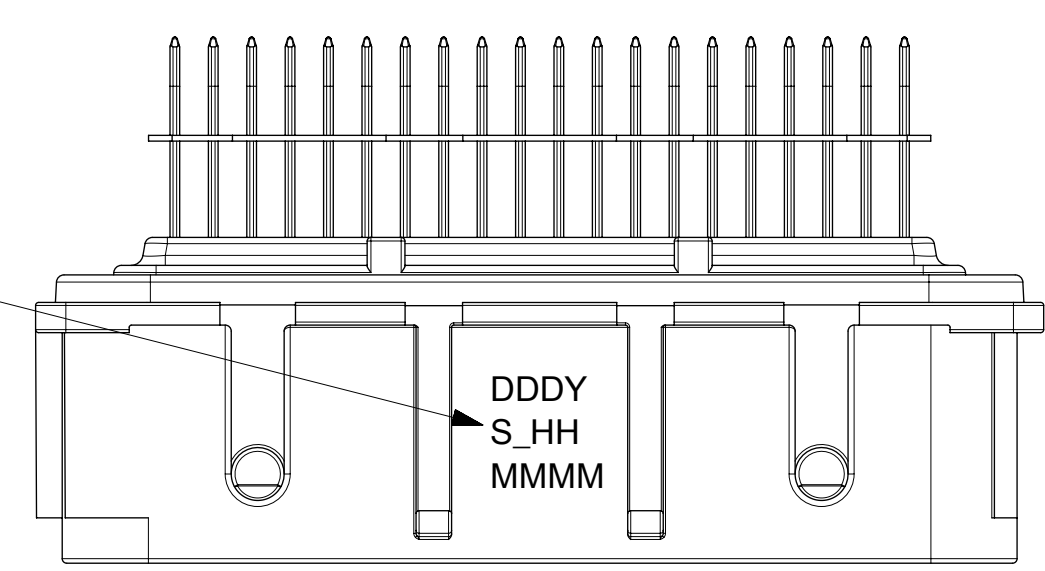
SECTION A-A
SCALE 5:1



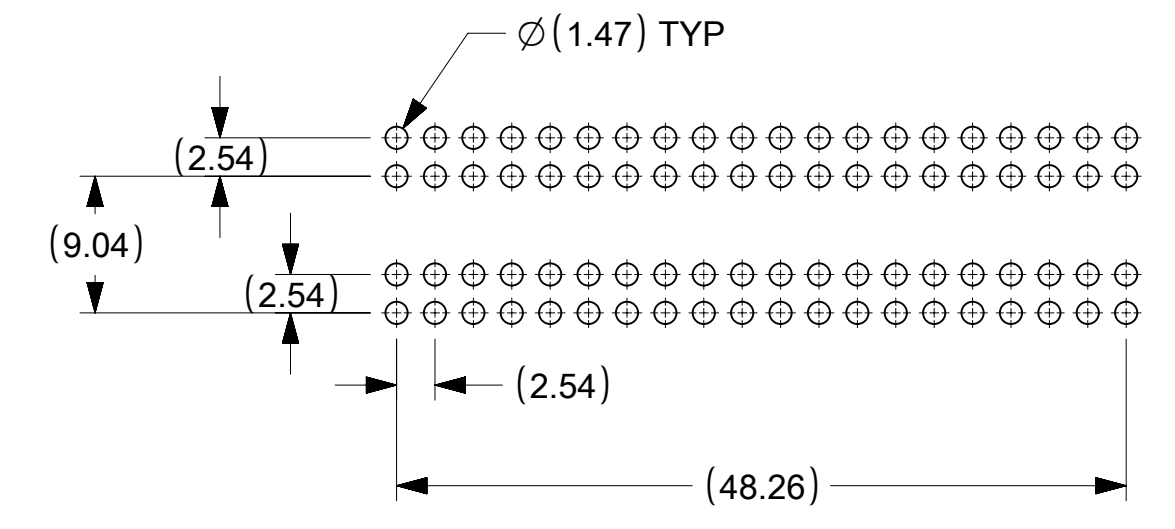
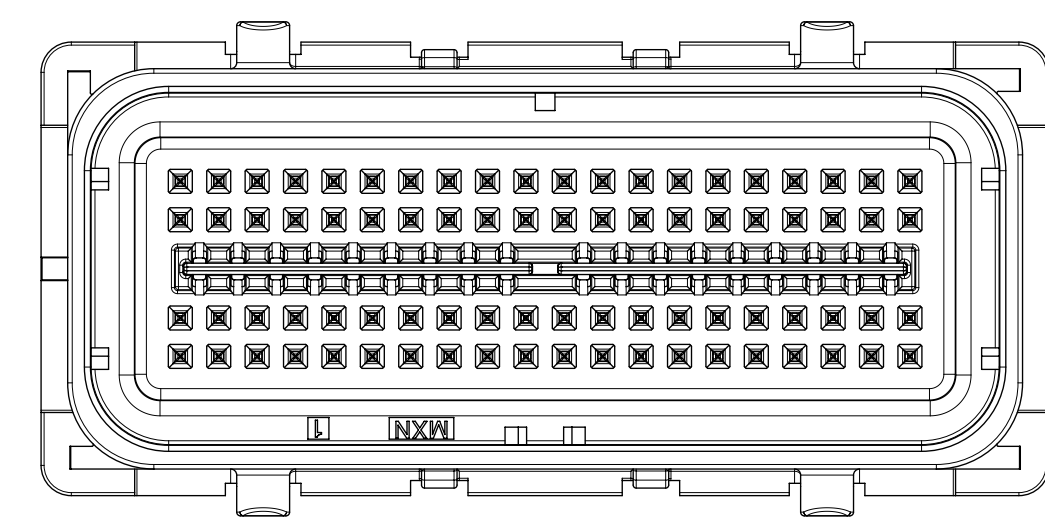
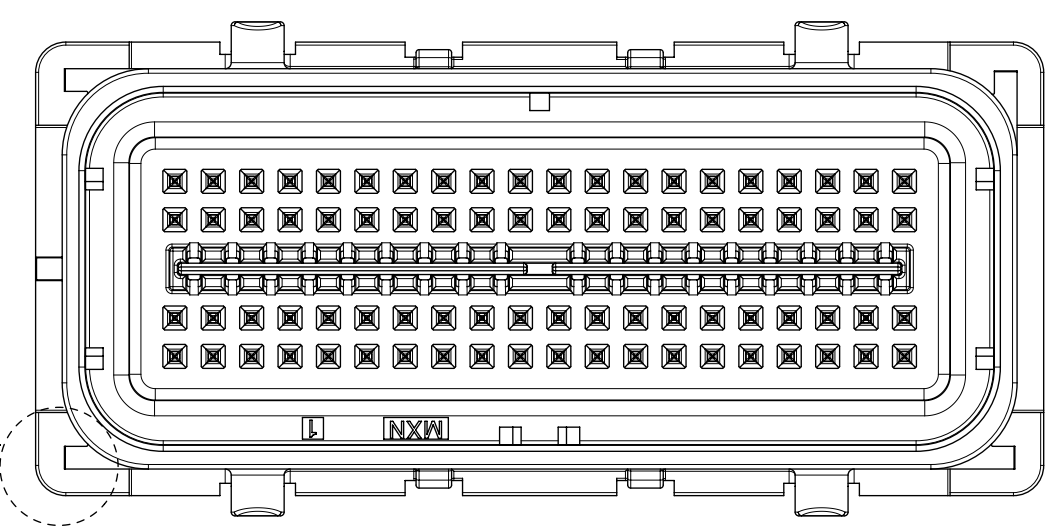
THIS DRAWING CONTAINS INFORMATION THAT IS PROPRIETARY TO MOLEX ELECTRONIC TECHNOLOGIES, LLC AND SHOULD NOT BE USED WITHOUT WRITTEN PERMISSION									
QUALITY SYMBOLS	GENERAL TOLERANCES (UNLESS SPECIFIED)			DIMENSION UNITS	SCALE				
▽ = 4 ▽ = 3 ▽ = 0 ▽ = 0 ▽ = 0 ▽ = 0 ▽ = 0	ANGULAR TOL ± 3.0 ° 4 PLACES ± 3 PLACES ± 2 PLACES ± 0.13 1 PLACE ± 0.25 0 PLACES ±			MM	2:1				
EC NO: 606583 DRWN: BSKANTHARAJU CHKD: DKRAWCZYK REV APPR: DKRAWCZYK	2018/10/15 2018/12/10 2018/12/10	DRWN BY: FJAKLIC CHKD BY: FJAKLIC APPR BY: GPRATT	DATE: 04/30/08 DATE: 04/30/08 DATE: 05/05/08	PRODUCT CUSTOMER DRAWING 80 CKT SHROUD ASSEMBLY 0.64 SQ. PINS MX123		SERIES: 31387	MATERIAL NUMBER: SEE CHART	CUSTOMER: GENERAL MARKET	
RELEASE STATUS RELEASE DATE	DRAFT WHERE APPLICABLE MUST REMAIN WITHIN DIMENSIONS			DRAWING SIZE: D	THIRD ANGLE PROJECTION	DOCUMENT NUMBER: SD-31387-080	DOC TYPE: PSD	DOC PART: 000	SHEET NUMBER: 2 OF 3

SHROUD ASSEMBLY NUMBER	MATE SIDE PIN FINISH	COLOR	HARNESS SIDE KEY CODE	PCB SIDE KEY LOCATION		MATING HARNESS PART NUMBER	STATUS
				DIM. "A" ±0.30	DIM. "B" ±0.30		
31387-4001	GOLD	BLUE	G	13.97	34.29	345660703 345661903	SALEABLE
31387-4009	GOLD	GRAY	H	19.05	34.29	345660803 345662003	SALEABLE
31387-4017	SILVER	BLUE	G	13.97	34.29	345660703 345661903	SALEABLE
31387-4018	SILVER	GRAY	H	19.05	34.29	345660803 345662003	SALEABLE

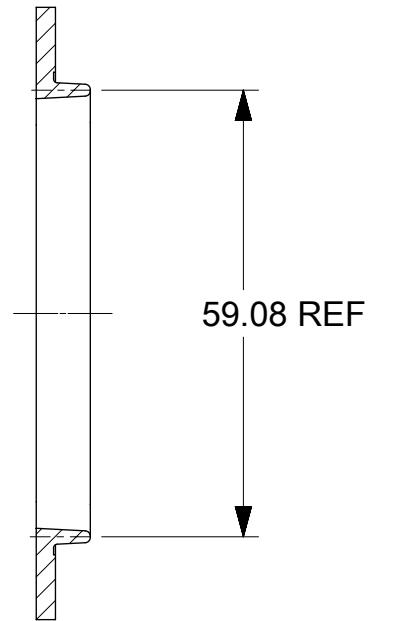
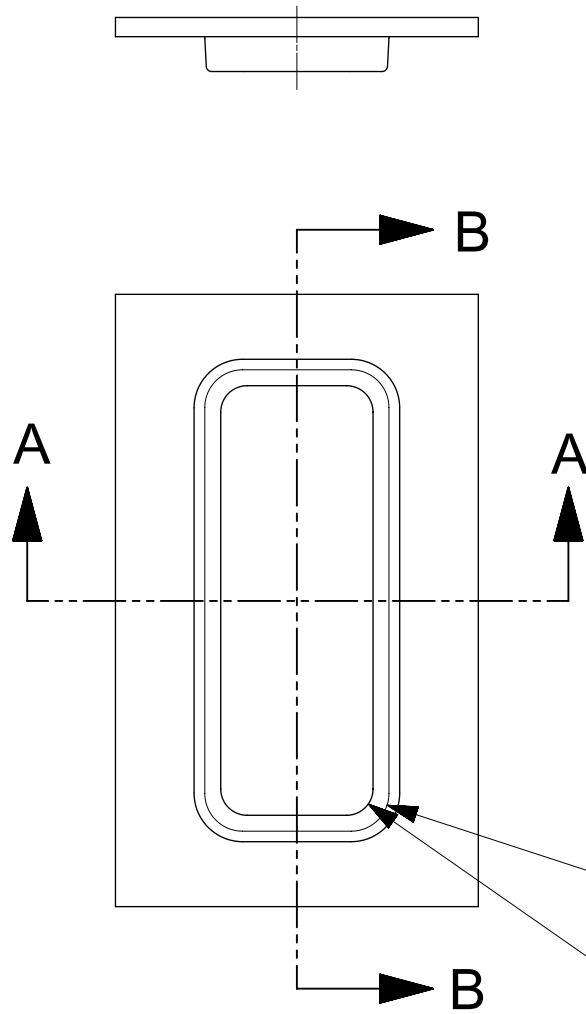
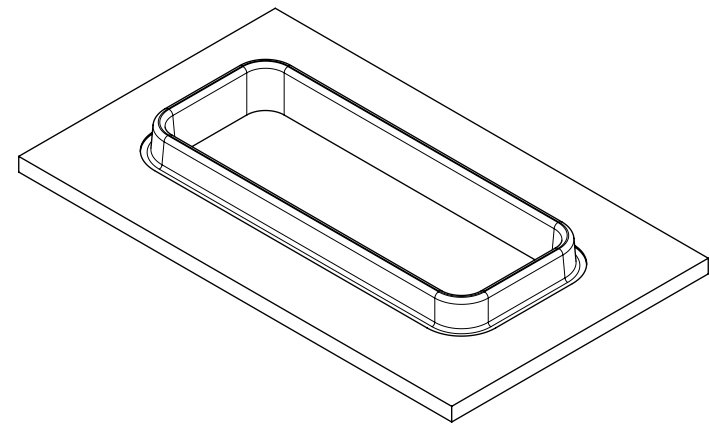
SHROUD ASSEMBLY TRACEABILITY INFORMATION FOR MOLEX INTERNAL USE ONLY (SEE NOTE 4a)



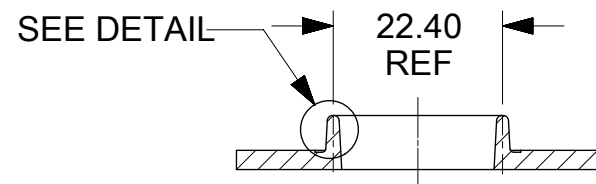
MATE SIDE POLARIZATION KEY AT CORNERS



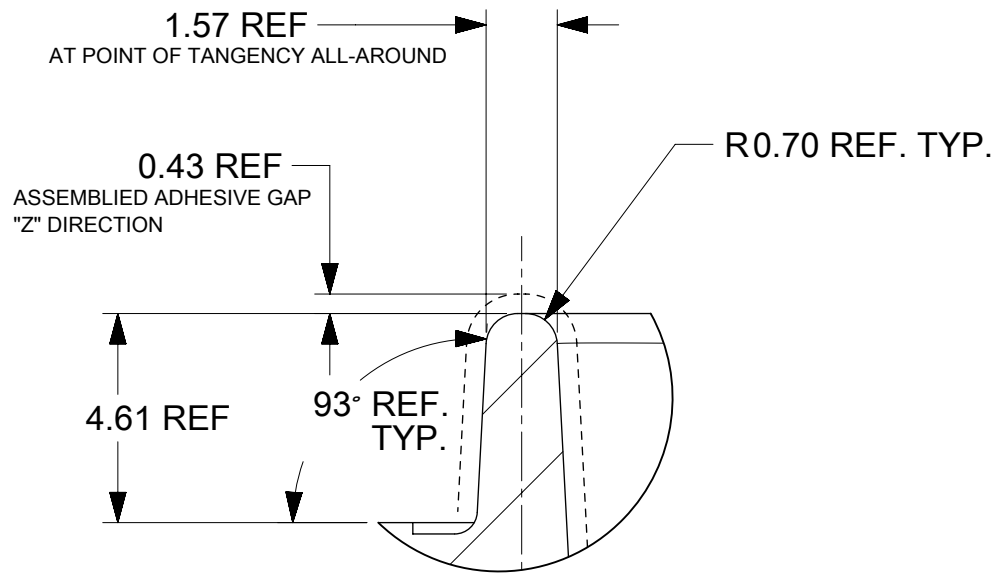
QUALITY SYMBOLS 	THIS DRAWING CONTAINS INFORMATION THAT IS PROPRIETARY TO MOLEX ELECTRONIC TECHNOLOGIES, LLC AND SHOULD NOT BE USED WITHOUT WRITTEN PERMISSION										
	EC NO: 606583 DRWN: BSKANTHARAJU CHKD: DKRAWCZYK REV APPR: DKRAWCZYK	2018/10/15	2018/12/10	2018/12/10	GENERAL TOLERANCES (UNLESS SPECIFIED)		DIMENSION UNITS	SCALE			
		ANGULAR TOL ± 3.0 °			MM	2:1	DRWN BY	DATE			
		4 PLACES ±	FJKLIC		04/30/08		CHKD BY	DATE	80 CKT SHROUD ASSEMBLY 0.64 SQ. PINS MX123		
		3 PLACES ±	FJKLIC		04/30/08		APPR BY	DATE			
		2 PLACES ± 0.13	GPRATT		05/05/08		DRAWING SIZE	THIRD ANGLE PROJECTION			
	1 PLACE ± 0.25	DRAFT WHERE APPLICABLE		MUST REMAIN WITHIN DIMENSIONS		D		SERIES	MATERIAL NUMBER	CUSTOMER	GENERAL MARKET
	0 PLACES ±	DRAFT WHERE APPLICABLE		MUST REMAIN WITHIN DIMENSIONS		31387		SEE CHART	GENERAL MARKET		
	DOCUMENT NUMBER		DOC TYPE		DOC PART	SHEET NUMBER	3 OF 3				
	B11		SD-31387-080		PSD		000				



SECTION B-B



SECTION A-A



SCALE 6:1

THIS DRAWING CONTAINS INFORMATION THAT IS PROPRIETARY TO MOLEX ELECTRONIC TECHNOLOGIES, LLC AND SHOULD NOT BE USED WITHOUT WRITTEN PERMISSION											
QUALITY SYMBOLS ▽ = 0 ▽ = 0 ▽ = 0 ▼ = 0 ▽ = 0 ⊠ = 0 ■ = 0 ▽ = 0	EC NO: 121890 DRWN: BSKANTHARAJU CHKD: APPR: DKRAWCZYK	2017/03/28 2017/10/12	GENERAL TOLERANCES (UNLESS SPECIFIED)		DIMENSION UNITS	SCALE					
			ANGULAR TOL ± °		MM	1:1					
			4 PLACES ±	DRWN BY	DATE						
			3 PLACES ±	3 PLACES ±	FJAKLIC	11/21/2008	LARGE FOOTPRINT ADHESIVE TONGUE GEOMETRY				
			2 PLACES ±	2 PLACES ±	CHK'D BY	DATE					
			1 PLACE ±	1 PLACE ±	GPRATT	11/21/2008					
0 PLACES ±	0 PLACES ±	APPR BY	DATE	PRODUCT CUSTOMER DRAWING							
DRAFT WHERE APPLICABLE MUST REMAIN WITHIN DIMENSIONS		DKRAWCZYK	2013/02/19								
DRAFT WHERE APPLICABLE MUST REMAIN WITHIN DIMENSIONS		DRAWING SIZE	THIRD ANGLE PROJECTION								
B1		B		SERIES	MATERIAL NUMBER	CUSTOMER					
				31387		GENERAL MARKET					
RELEASE STATUS		RELEASE DATE		DOCUMENT NUMBER		DOC TYPE	DOC PART	SHEET NUMBER			
				SD-31387-173		PSD	000	1 OF 1			