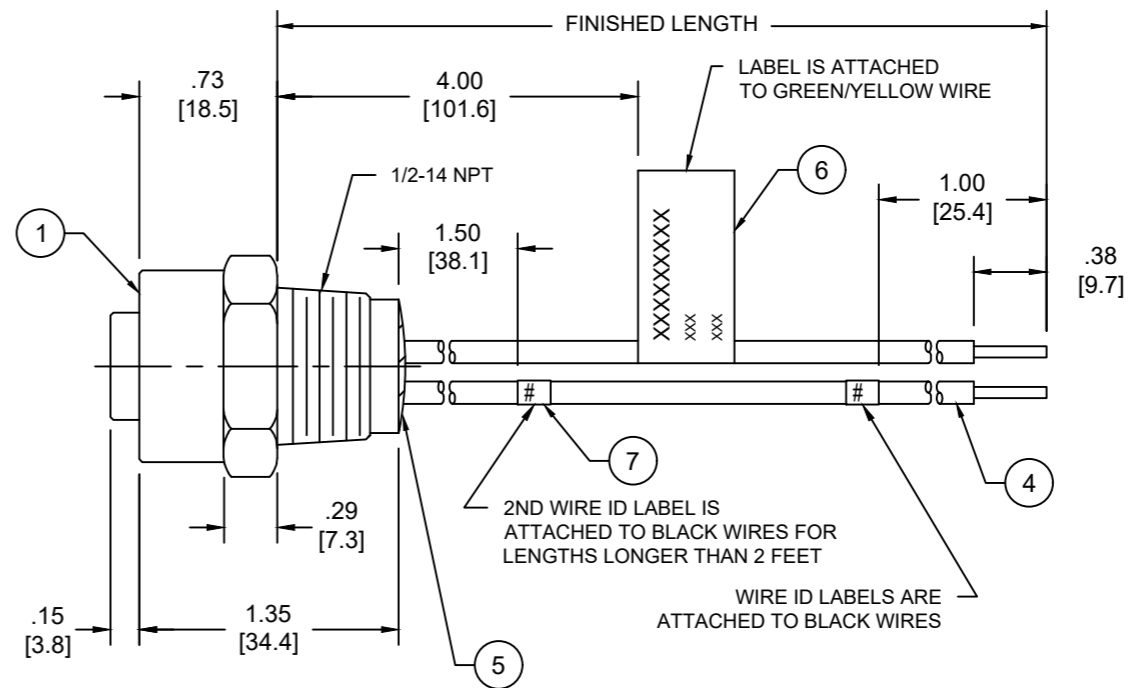
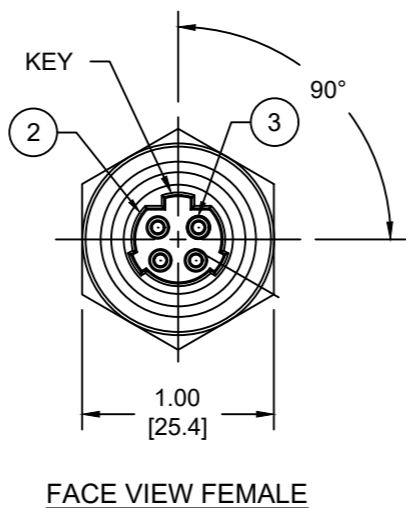
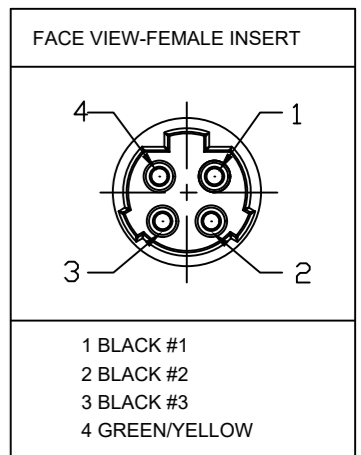
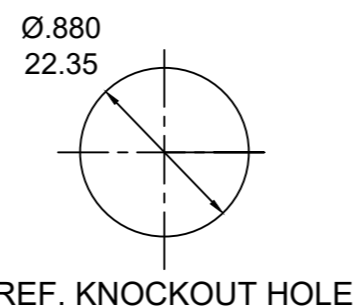


| PART NO    | ENGINEERING NO. | FINISHED LENGTH  |
|------------|-----------------|------------------|
| 1300660306 | 1R4100A82M005G  | 0.5M [1 FT 8 IN] |
| 1300660308 | 1R4100A82M010G  | 1M [3 FT 3 IN]   |
| 1300660309 | 1R4100A82M020G  | 2M [6 FT 7 IN]   |
| 1300660310 | 1R4100A82M030G  | 3M [9 FT 10 IN]  |



- NOTES:
- MATERIAL: AS NOTED
  - FINISH: AS NOTED
  - ELECTRICAL:  
VOLTAGE: 483V PER IEC60664 (D)  
600V PER UL2237  
CURRENT: 15A
  - TEMP RATING: -20°TO +90°C
  - PROTECTION: IP67 (WHEN MATED)
  - COUPLING THREAD: 7/8-16UN
  - UL LISTED FILE: E258922 (D)
  - ALL DIMENSIONS ARE FOR REFERENCE UNLESS TOLERANCED OR NOTED OTHERWISE



PART NUMBER LEGEND  
1R4100A82M005G

FINISHED LENGTH:  
M005= 0.5 METER  
M010= 1 METER  
M100= 10 METER

(D)

CABLE LENGTH TOLERANCES

|                          |                         |
|--------------------------|-------------------------|
| <.3M [1FT]:              | +19mm-0 [+1.75in-0]     |
| .3 - .9M [1 - 3FT]:      | +44.5mm-0 [+1.75in-0]   |
| .9 - 1.8M [3 - 6FT]:     | +55.6mm-0 [+2.19in-0]   |
| 1.8 - 3.7M [6 - 12FT]:   | +88.9mm-0 [+3.50in-0]   |
| 3.7 - 7.3M [12 - 24FT]:  | +165.1mm-0 [+6.50in-0]  |
| 7.3-14.6M [24 - 48FT]:   | +317.5mm-0 [+12.50in-0] |
| 14.6 - 30.5M [48-100FT]: | +622.3mm-0 [+24.50in-0] |
| OVER 30M [100FT]         | +2% OF FINISHED LENGTH  |

| ITEM | DESCRIPTION            | MATERIAL         | FINISH           |
|------|------------------------|------------------|------------------|
| 7    | WIRE ID LABEL          | VINYL /POLYESTER | BLACK/WHITE (D)  |
| 6    | FLAG LABEL             | VINYL            | BLACK/YELLOW     |
| 5    | POTTING MATERIAL       | EPOXY            |                  |
| 4    | WIRE, 14 AWG (UL 1015) | PVC INSULATION   | SEE FACE VIEW    |
| 3    | CONTACT SOCKET         | COPPER ALLOY     | GOLD OVER NICKEL |
| 2    | FEMALE INSERT          | TPE              | BLACK (D)        |
| 1    | RECEPTACLE SHELL       | ZINC DIE-CAST    | NICKEL PLATED    |

| FUNCTIONAL SYMBOLS   | THIS DRAWING CONTAINS INFORMATION THAT IS PROPRIETARY TO MOLEX ELECTRONIC TECHNOLOGIES, LLC AND SHOULD NOT BE USED WITHOUT WRITTEN PERMISSION       |   |
|--|---|---|
| $F=0$<br>$E=0$<br>$P=0$  | DIMENSION UNITS: INCH/MM<br>SCALE: NTS<br>CURRENT REV DESC: ITEM #2 WAS PVC. ADDED ITEM #7, UL NUMBER & TOL CHART. MODIFIED IEC VOLTAGE & PN TABLE. |   |
| GENERAL TOLERANCES (UNLESS SPECIFIED)<br>4 PLACES ±--- ±---<br>3 PLACES ±--- ±---<br>2 PLACES ±--- ±---<br>1 PLACE ±--- ±---<br>0 PLACES ±--- ±--- | EC NO: 704134<br>DRWN: ABENJAMINLW 2021/06/23<br>CHK'D: RSTONE 2022/03/16<br>APPR: BWOODMAN 2022/05/04  | BRAD POWER RECEPTACLE, A-SIZE<br>4 POLE, FEMALE, TRI-KEY, #14 AWG   |
| DIVISIONAL SYMBOLS<br>ANGULAR TOL ± --- °<br>DRAFT WHERE APPLICABLE MUST REMAIN WITHIN DIMENSIONS  | INITIAL REVISION:<br>DRWN: GGUSTAFSON 2014/09/08<br>APPR: BWOODMAN 2014/10/01   | PRODUCT CUSTOMER DRAWING<br>DOCUMENT NUMBER: SD-130066-069<br>DOC TYPE: PSD<br>DOC PART: 001<br>REVISION: D |
| THIRD ANGLE PROJECTION<br>DRAWING: B-SIZE<br>SERIES: 130066  | MATERIAL NUMBER: SEE CHART<br>CUSTOMER: GENERAL MARKET  | SHEET NUMBER: 1 OF 1  |