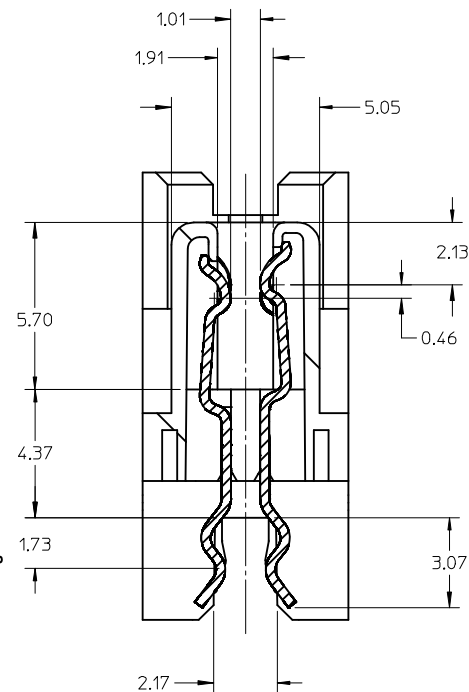
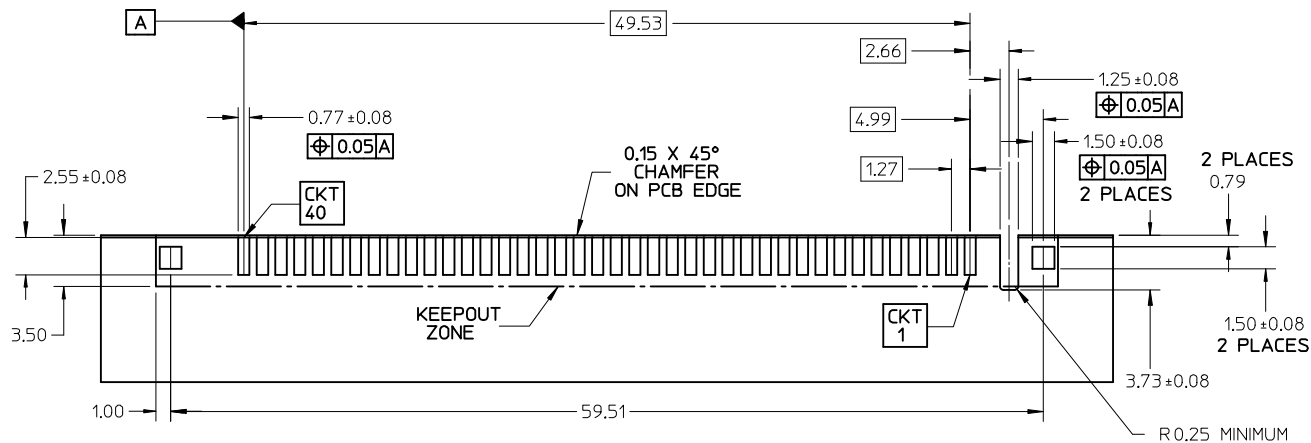


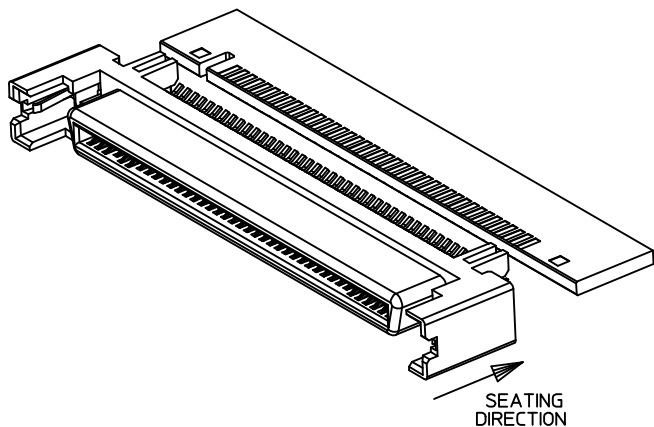
- NOTES:
- 1) MATERIAL:  
HOUSING - HIGH TEMPERATURE NYLON, UL94, V-0, BLACK  
TERMINALS - COPPER ALLOY  
ESD METAL TERMINAL - COPPER ALLOY
  - 2) PLATING:  
TERMINALS:  
0.76 MICROMETER MINIMUM SELECT GOLD AND  
2.54 MICROMETER MINIMUM SELECT TIN OVER  
1.27 MICROMETER MINIMUM NICKEL OVERALL  
  
ESD TERMINALS:  
3.81 MICROMETER MINIMUM TIN OVER  
1.27 MICROMETER MINIMUM NICKEL OVERALL
  - 3) CONFORMS TO PRODUCT SPECIFICATION PS-73826-0000.
  - 4) CIRCUIT NUMBERS 1, 36 THRU 43, 45, 46, AND 75 THRU 80, ARE ADVANCED TERMINALS FOR SEQUENTIAL MATING.
  - 5) PACKAGED IN TRAYS PER PK-70873-5025.

EC NO: UCP2004-2038 DRWN: RLWHITE 2004/09/17 CHKD: BBARKER 2004/09/22 APPR: SMILLER 2004/10/05	QUALITY SYMBOLS	GENERAL TOLERANCES (UNLESS SPECIFIED)		SCALE 3:1	DESIGN UNITS METRIC	THIRD ANGLE PROJECTION	REVISE ON CAD ONLY	
	DESCRIPTION ▼ = 0 ∇ = 0		mm	INCH	DIMENSION STYLE MM ONLY		TITLE	
		4 PLACES	± ---	± ---	DRAWN BY RWHITE	DATE 4/16/2004	80 CKT STRADDLEMOUNT SCA2 SALES DRAWING FOR 1.83MM THICK PCB	
		3 PLACES	± ---	± ---	CHECKED BY BBARKER	DATE 4/16/2004		
2 PLACES	± 0.13	± ---	APPROVED BY SMILLER	DATE 4/16/2004	MOLEX INCORPORATED			
	1 PLACE	± 0.25	± ---	DRAFT WHERE APPLICABLE MUST REMAIN WITHIN DIMENSIONS		MATERIAL NO. 750830280	DOCUMENT NO. SD-75083-002	
						SHEET NO. 1 OF 2		

RECOMMENDED PCB LAYOUT  
 RECOMMENDED PCB THICKNESS: 1.83 +/-0.18 mm



SECTION A-A  
 SCALE 6:1



EC NO: UCP2004-2038 DRWN: RLWHITE 2004/09/17 CHKD: BBARKER 2004/09/22 APPR: SMILLER 2004/10/05	QUALITY SYMBOLS	GENERAL TOLERANCES (UNLESS SPECIFIED)	SCALE 3:1	DESIGN UNITS METRIC	THIRD ANGLE PROJECTION	REVISE ON CAD ONLY
	DESCRIPTION ▼ = 0 ∇ = 0	mm INCH	DIMENSION STYLE MM ONLY	TITLE		
		4 PLACES ± --- ± --- 3 PLACES ± --- ± --- 2 PLACES ± 0.13 ± --- 1 PLACE ± 0.25 ± --- ANGULAR ± 1/2° DRAFT WHERE APPLICABLE MUST REMAIN WITHIN DIMENSIONS	DRAWN BY RWHITE DATE 4/16/2004 CHECKED BY BBARKER DATE 4/16/2004 APPROVED BY SMILLER DATE 4/16/2004	80 CKT STRADDLEMOUNT SCA2 SALES DRAWING FOR 1.83MM THICK PCB MOLEX INCORPORATED		
	MATERIAL NO. 750830280 DOCUMENT NO. SD-75083-002 SHEET NO. 2 OF 2	THIS DRAWING CONTAINS INFORMATION THAT IS PROPRIETARY TO MOLEX INCORPORATED AND SHOULD NOT BE USED WITHOUT WRITTEN PERMISSION				