

Alle Rechte vorbehalten/ All rights reserved

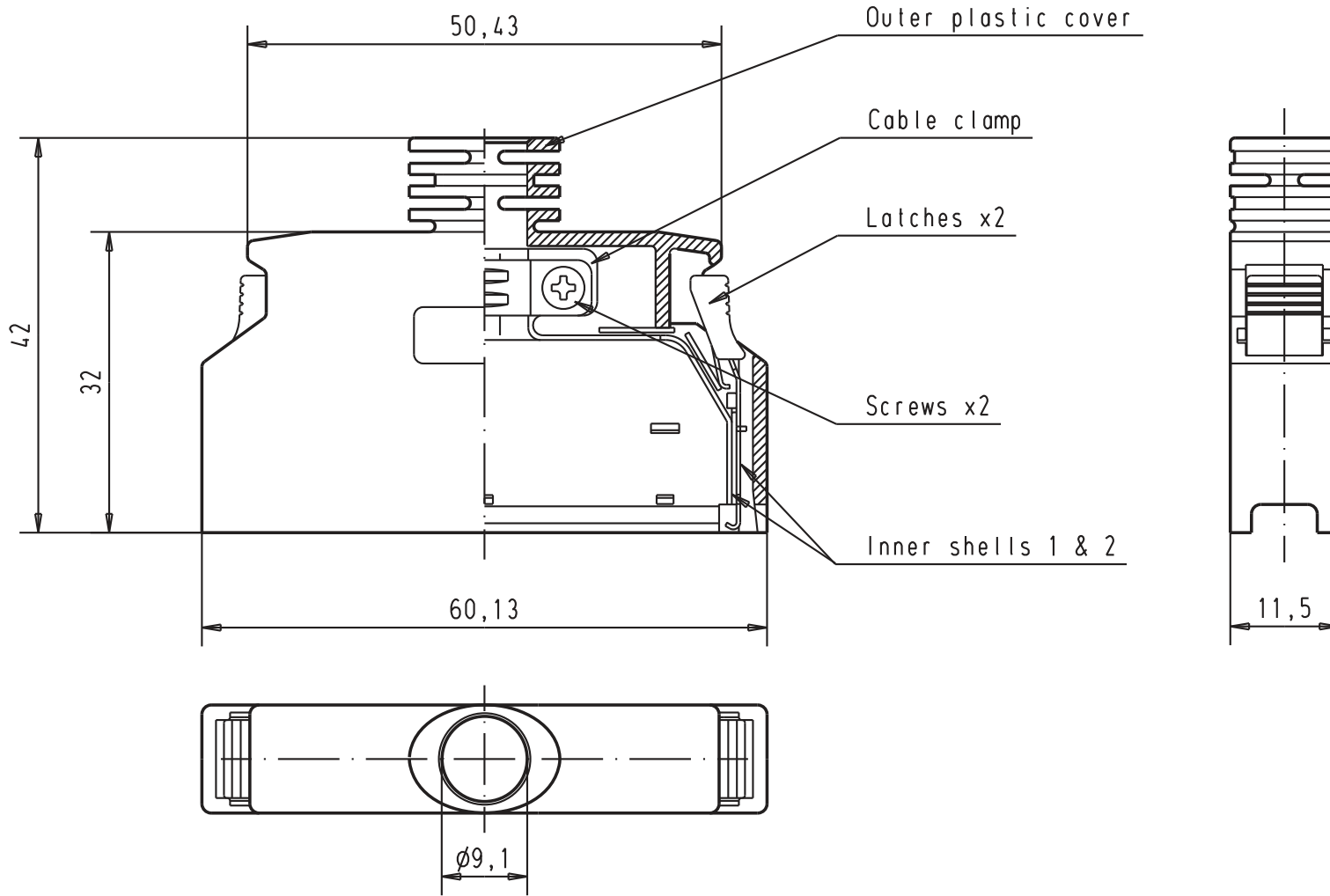
5

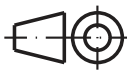

4

3

2

1



| | | | | | | | | |
|--|-------|-----------|---------|-------------------------------|------|---|---|-------------------|
| | | | | Dot. | Name |  All Dim. in mm Orig. Size DIN A 4 | har.mik® 1/0 pin/socket 68 poles plastic hood with metal insert for IDC male bellow connector | Maßstab/ Scale |
| | | | Detail. | 20-JUN-02 | CV | | | 1,5:1 |
| | | | Insp. | | | | | |
| | | | Stand. | | | | | Blatt/ Page |
| | 31056 | 20-JUN-02 | CV | HARTING EURL F-95972 Paris | |  | TB 60 13 068 0153 | 1 1 |
| | Mod. | Dot. | Name | | | | | Sub. |