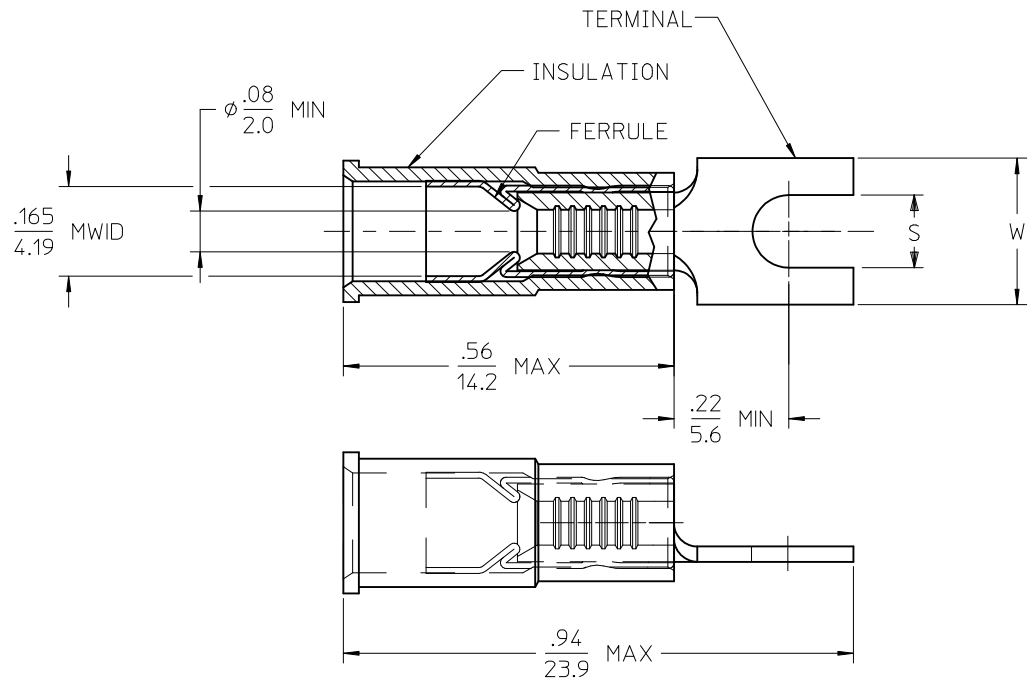


MATERIAL NUMBER	ENGINEERING NUMBER	STUD SIZE	"S" ±.005/ 0.13	W ±.010/0.25	PACKAGING
191370022	B-5781-06	6	.146/ 3.71	.295/ 7.49	LOOSE PIECE
191370023	B-5781-08	8	.173/ 4.39	.295/ 7.49	
191370024	B-5781-10	10	.198/ 5.03	.295/ 7.49	
191370019 (A1)	B-5471-04	4	.119/ 2.79	.245/ 6.22	
191370020 (A1)	B-5471-06	6	.146/ 3.71	.245/ 6.22	



SALES DRAWING

- NOTES:
 1. MATERIAL: COPPER .031/(0.79) THICK.
 2. PLATING: MATTE TIN
 3. INSULATION: 94V-2 NYLON, BLUE
 4. PARTS ARE ROHS COMPLIANT.

ADD 5471'S EC NO: WNA2011-0252 DRAWN: ETHRODAHL 2011/01/21 CHKD: JMACNEIL APPR: JMACNEIL 2011/02/21 REV A1	QUALITY SYMBOLS	GENERAL TOLERANCES (UNLESS SPECIFIED)	DIMENSION STYLE	SCALE	DESIGN UNITS	THIRD ANGLE PROJECTION	
	▽=0 ▽=0	mm INCH	IN/MM	4:1	INCH		
		4 PLACES ± --- ± ---	DRAWN BY DATE	ETHRODAHL 2010/08/04	TITLE		
		3 PLACES ± --- ± .005	CHECKED BY DATE	JMACNEIL 2010/08/04	BLOCK SPADE AVIKRIMP LONG BARREL 16-14 AWG		
	2 PLACES ± 0.13 ± .010	APPROVED BY DATE	JMACNEIL 2010/09/21	MOLEX INCORPORATED			
	1 PLACE ± 0.25 ± .020	MATERIAL NO.	SEE CHART	DOCUMENT NO.		SHEET NO.	
	ANGULAR ± 1/2°	DRAFT WHERE APPLICABLE MUST REMAIN WITHIN DIMENSIONS		SD-19137-001		1 OF 1	
		THIS DRAWING CONTAINS INFORMATION THAT IS PROPRIETARY TO MOLEX INCORPORATED AND SHOULD NOT BE USED WITHOUT WRITTEN PERMISSION					