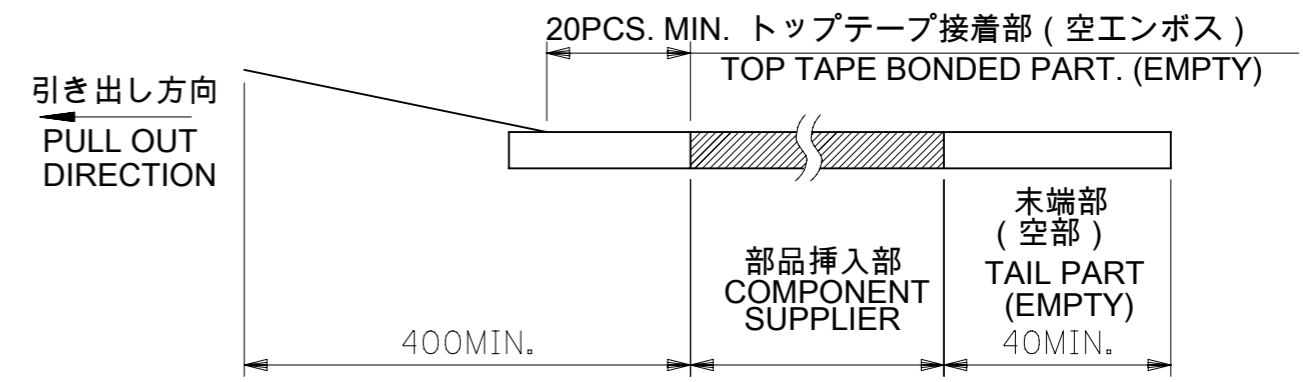
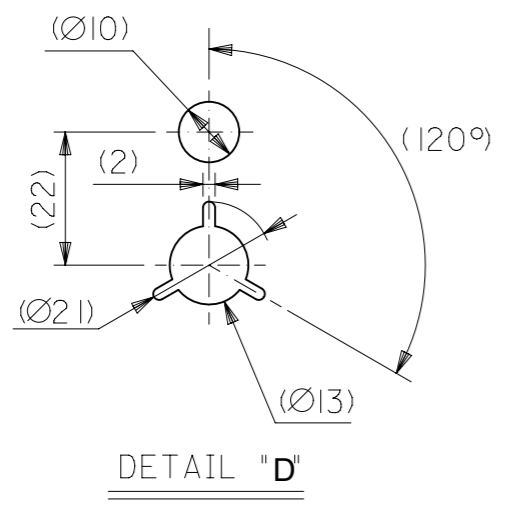


注記 NOTES

- 製品詳細寸法については製品単体図面を参照下さい。
RE DETAILED DIMENSION, SEE PRODUCT DRAWING.
- 梱包数量 : 3000個 / リール
NUMBER OF CONNECTORS : 3000PCS/REEL
- リードテープ長さ LEAD TAPE LENGTH

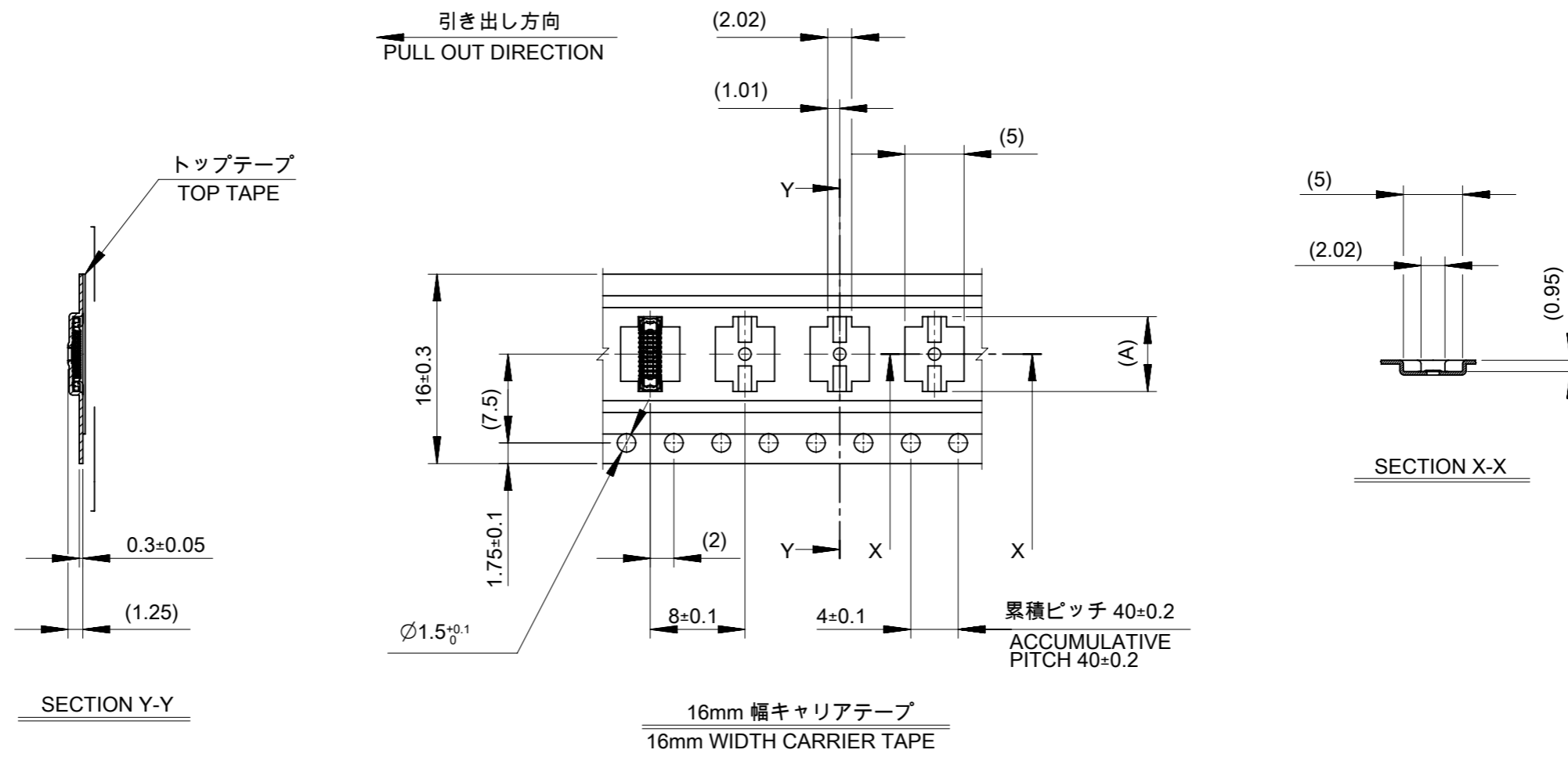


- トップテープの剥離強度については、IEC60286-3に準拠
TOP TAPE PEEL FORCE IS DEFINED BY IEC60286-3.
- 材料 MATERIAL
キャリアテープ (CARRIER TAPE) : ポリスチレン (POLYSTYRENE)
トップテープ (TOP TAPE) : PET , OTHER
リール (REEL) : ポリスチレン (PS) <リサイクル材を含む>
POLYSTYRENE (PS) <RECYCLE MATERIAL CONTAINED>
- ELV 及び RoHS適合品
ELV AND RoHS COMPLIANT



PRE-RELEASE
REFERENCE
USE ONLY

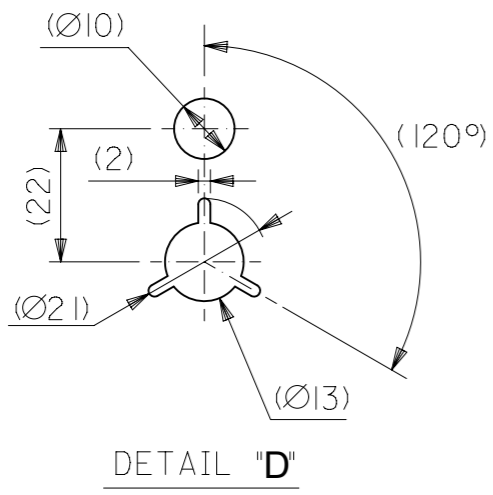
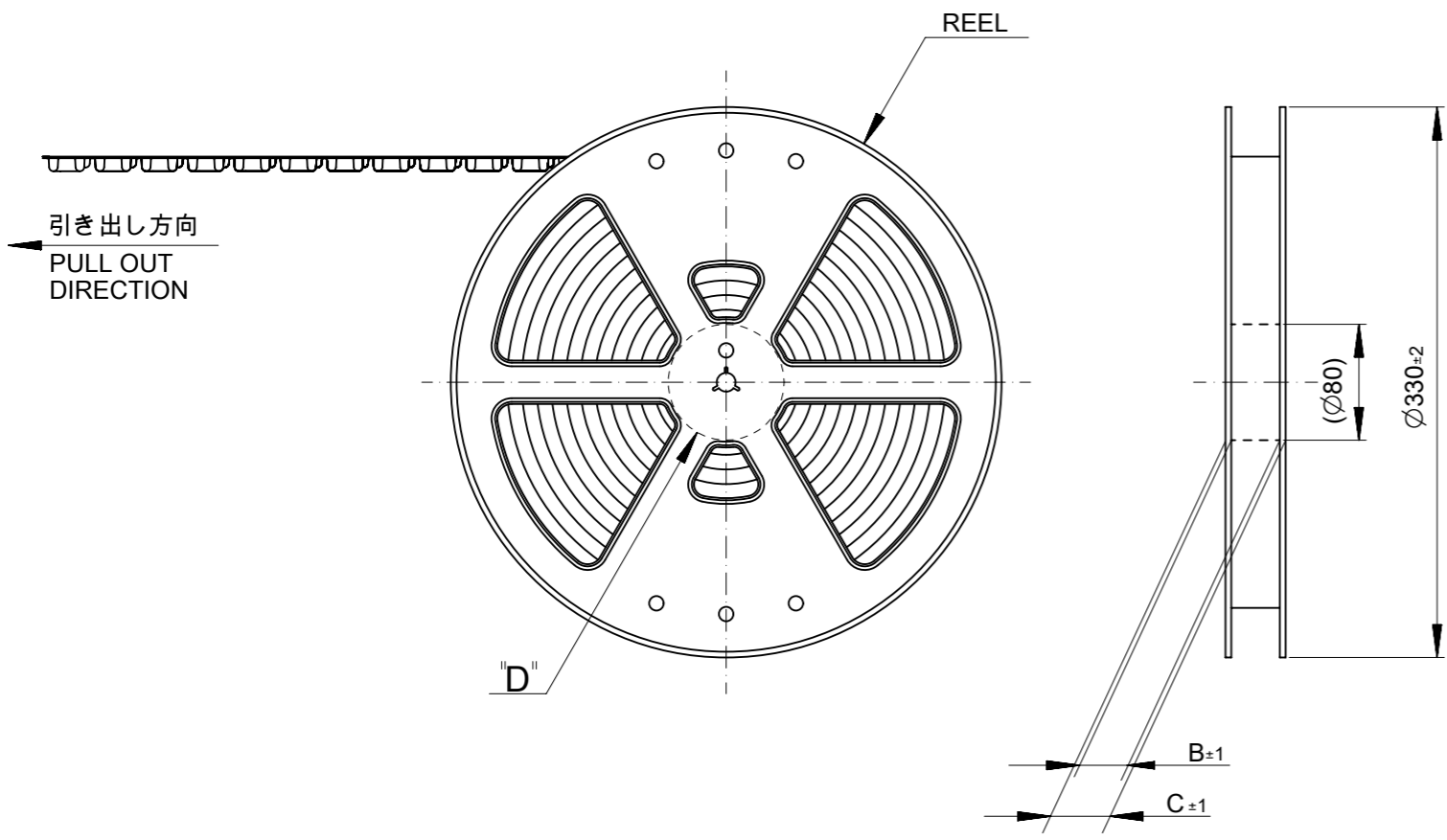
THIS DRAWING CONTAINS INFORMATION THAT IS PROPRIETARY TO MOLEX ELECTRONIC TECHNOLOGIES, LLC AND SHOULD NOT BE USED WITHOUT WRITTEN PERMISSION									
DIMENSION UNITS mm		SCALE NTS		CURRENT REV DESC: REMOVED OBSOLETE PART NUMBER AS PER PCN#511691.				molex	
GENERAL TOLERANCES (UNLESS SPECIFIED)				EC NO: 737858					
				DRWN: SANTHN 2023/02/10				0.4 BB CONN. H=0.8 REC ASSY. FOR CHECKER EMBSTP. PKG	
				CHK'D: GGA 2023/02/24				PRODUCT CUSTOMER DRAWING	
				APPR: GGA 2023/02/24				DOCUMENT NUMBER	
				INITIAL REVISION:				DOC TYPE	
				DRWN: KAMINO 2014/05/13				DOC PART	
				APPR: KMORIKAWA 2014/05/15				REVISION	
				ANGULAR TOL ± 1.0				SD-504208-004	
DRAFT WHERE APPLICABLE MUST REMAIN WITHIN DIMENSIONS		THIRD ANGLE PROJECTION		DRAWING		SERIES		MATERIAL NUMBER	
				A3-SIZE		504208		CUSTOMER	
								GENERAL MARKET	
								SHEET NUMBER	
								1 OF 2	



16	21.4	17.4	7.12	504208-2480	○	---	24
			6.32	504208-2080	---	---	20
			5.52	504208-1680	○	---	16
			5.12	504208-1480	---	---	14
			4.72	504208-1280	○	---	12
			4.32	504208-1080	○	---	10
キャリアテープ幅 CARRIER TAPE WIDTH	C	B	(A)	MATERIAL No.	量産品 MASS PRODUCTION	試作対応 LOW VOL. TOOL	極数 CIRCUIT
				MODEL No.	サンプル供給 SAMPLE PREPARATION	504208-**80	

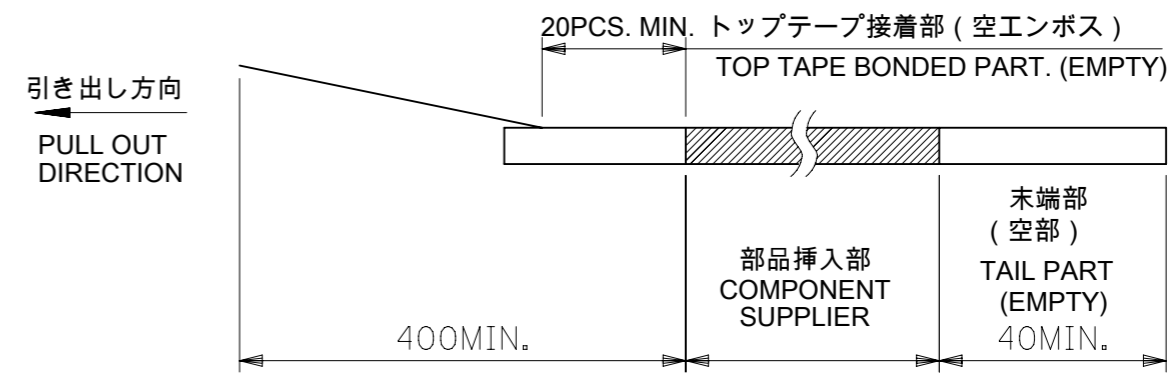
THIS DRAWING CONTAINS INFORMATION THAT IS PROPRIETARY TO MOLEX ELECTRONIC TECHNOLOGIES, LLC AND SHOULD NOT BE USED WITHOUT WRITTEN PERMISSION

DIMENSION UNITS	SCALE	CURRENT REV DESC: REMOVED OBSOLETE PART NUMBER AS PER PCN#511691.	
mm	NTS		
GENERAL TOLERANCES (UNLESS SPECIFIED)			
	MM	INCH	
4 PLACES	± 0.2	±	
3 PLACES	± 0.25	±	
2 PLACES	± 0.3	±	
1 PLACE	± 0.1	±	
0 PLACES	±	±	
ANGULAR TOL	± 1.0		
DRAFT WHERE APPLICABLE MUST REMAIN WITHIN DIMENSIONS		THIRD ANGLE PROJECTION	
EC NO: 737858	DRWN: SANTHN	2023/02/10	
CHK'D: GGA	APPR: GGA	2023/02/24	
INITIAL REVISION:		DOCUMENT NUMBER	DOC TYPE DOC PART REVISION
DRWN: KAMINO	2014/05/13	SD-504208-004	PSD 001 A1
APPR: KMORIKAWA	2014/05/15	MATERIAL NUMBER	CUSTOMER
		SEE TABLE	GENERAL MARKET
DRAWING	SERIES		SHEET NUMBER
A3-SIZE	504208		2 OF 2



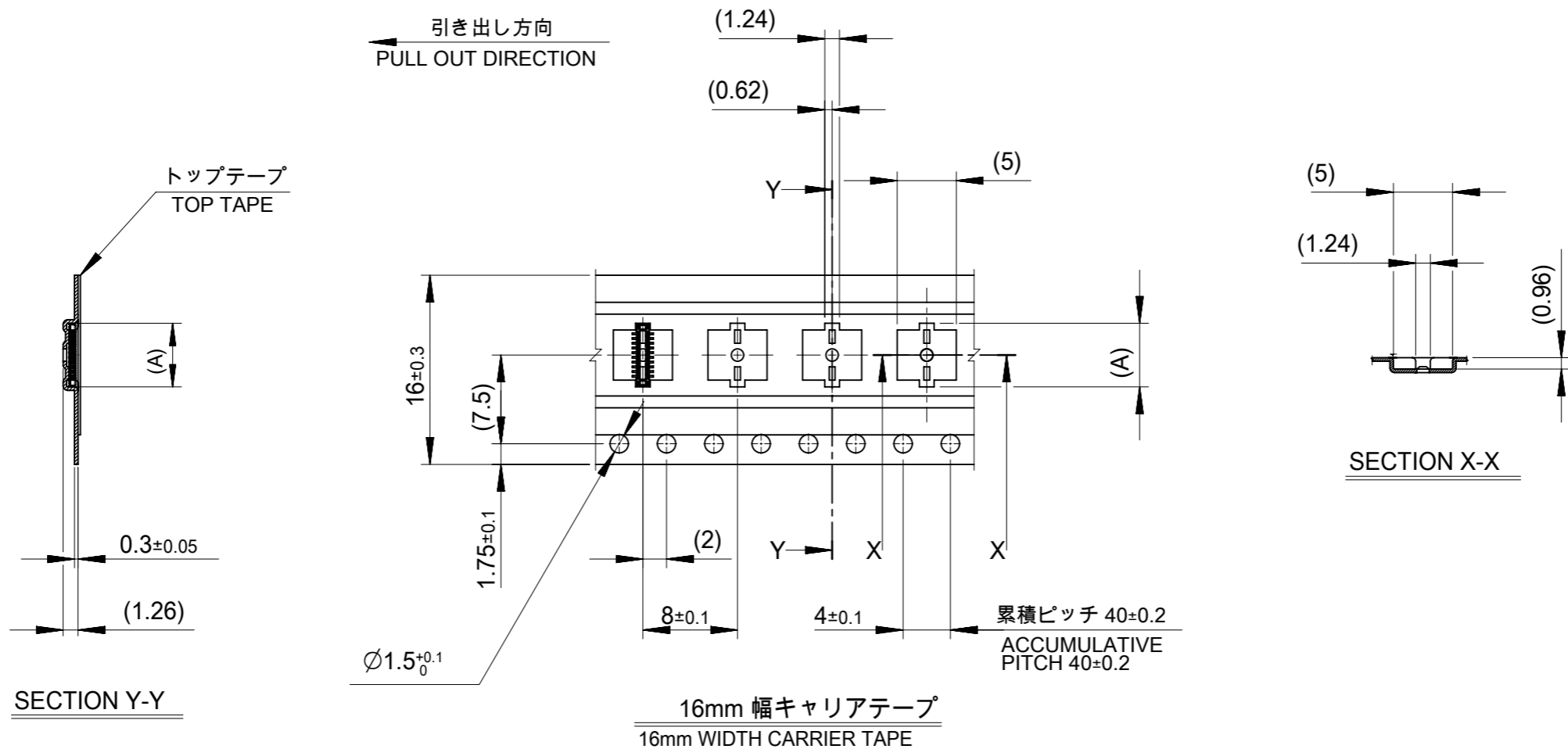
注記 NOTES

1. 製品詳細寸法については製品単体図面を参照下さい。
RE DETAILED DIMENSION, SEE PRODUCT DRAWING.
2. 梱包数量 : 3000 個 / リール
NUMBER OF CONNECTORS : 3000PCS/REEL
3. リードテープ長さ LEAD TAPE LENGTH



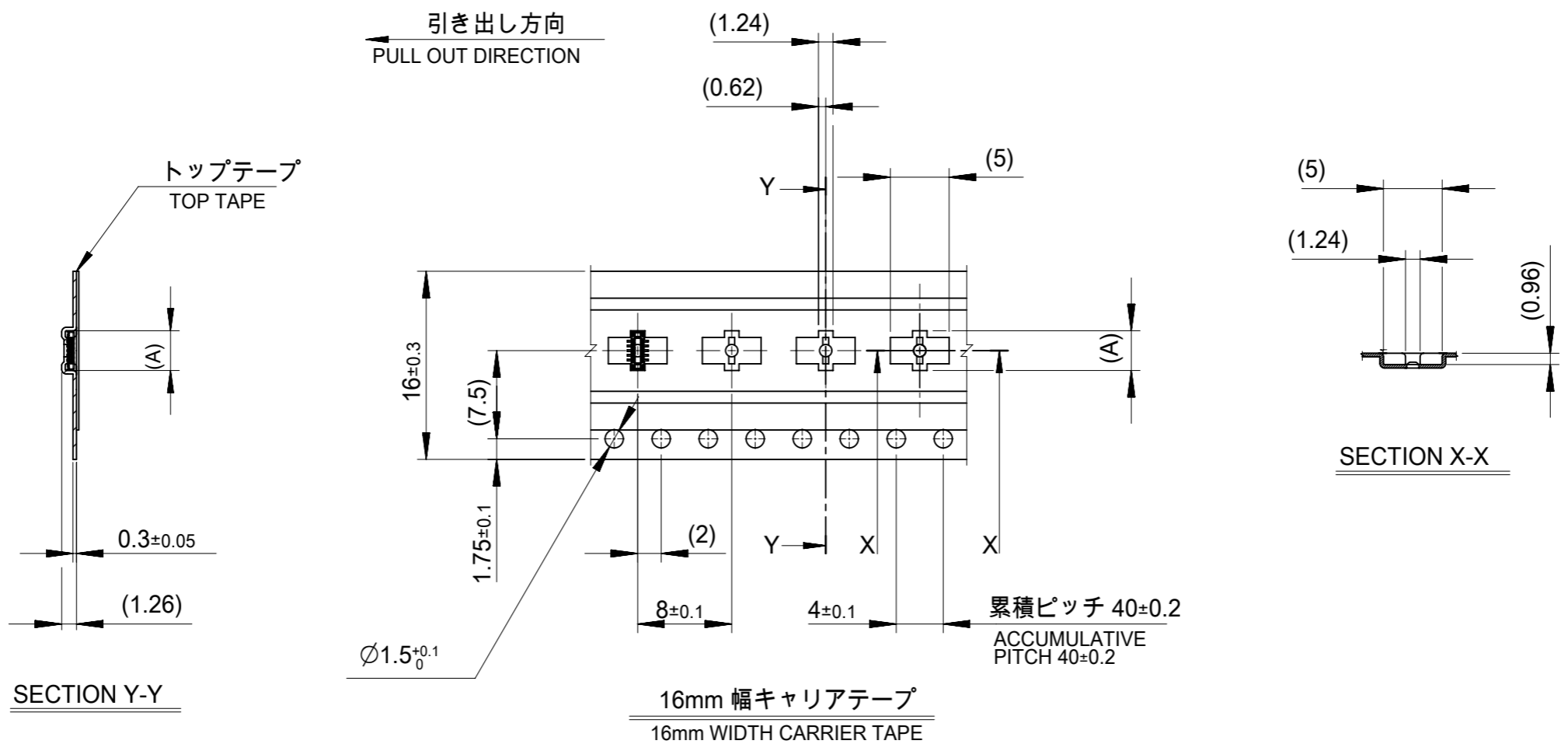
4. トップテープの剥離強度については、IEC60286-3に準拠
TOP TAPE PEEL FORCE IS DEFINED BY IEC60286-3.
5. 材料 MATERIAL
 キャリアテープ (CARRIER TAPE) : ポリスチレン (POLYSTYRENE)
 トップテープ (TOP TAPE) : PET , OTHER
 リール (REEL) : ポリスチレン (PS) <リサイクル材を含む>
 POLYSTYRENE (PS) <RECYCLE MATERIAL CONTAINED>
6. ELV 及び RoHS適合品
ELV AND RoHS COMPLIANT

THIS DRAWING CONTAINS INFORMATION THAT IS PROPRIETARY TO MOLEX ELECTRONIC TECHNOLOGIES, LLC AND SHOULD NOT BE USED WITHOUT WRITTEN PERMISSION										
DIMENSION UNITS	SCALE	CURRENT REV DESC: REMOVED OBSOLETE PART NUMBERS AS PER PCN#511691								
mm	1:1	<p>0.4 BB CONN. H=0.8 PLUG ASSY. FOR CHECKER EMBSTP. PKG</p> <p>PRODUCT CUSTOMER DRAWING</p>								
GENERAL TOLERANCES (UNLESS SPECIFIED)										
ANGULAR TOL	± 1.0°									
4 PLACES	± 0.2									
3 PLACES	± 0.25									
2 PLACES	± 0.3									
1 PLACE	± 0.1	EC NO: 737858	DRWN: LIKITV	2023/02/13	DOCUMENT NUMBER: SD-504248-004 DOC TYPE: PSD DOC PART: 001 REVISION: C1					
0 PLACES	±	CHK'D: GGA	2023/02/24	APPR: GGA						2023/02/24
INITIAL REVISION:		DRWN: KAMINO	2014/05/13	APPR: KMORIKAWA						2014/05/15
DRAFT WHERE APPLICABLE MUST REMAIN WITHIN DIMENSIONS		THIRD ANGLE PROJECTION	DRAWING	SERIES	MATERIAL NUMBER	CUSTOMER	SHEET NUMBER			
			A3-SIZE	504248	SEE SHEET 2 & 3	GENERAL MARKET	1 OF 3			



16	21.4	17.4	6.18	504248-2480	○	---	24
キャリアテープ幅 CARRIER TAPE WIDTH	C	B	(A)	MATERIAL No.	量産品 MASS PRODUCTION	試作対応 LOW VOL. TOOL	極数 CIRCUIT
				MODEL No.	サンプル供給 SAMPLE PREPARATION		504248-**80

THIS DRAWING CONTAINS INFORMATION THAT IS PROPRIETARY TO MOLEX ELECTRONIC TECHNOLOGIES, LLC AND SHOULD NOT BE USED WITHOUT WRITTEN PERMISSION							
DIMENSION UNITS mm	SCALE NTS	CURRENT REV DESC: REMOVED OBSOLETE PART NUMBERS AS PER PCN#511691					
GENERAL TOLERANCES (UNLESS SPECIFIED)		molex 0.4 BB CONN. H=0.8 PLUG ASSY. FOR CHECKER EMBSTP. PKG PRODUCT CUSTOMER DRAWING					
ANGULAR TOL	± 1.0 °						
4 PLACES	± 0.2						
3 PLACES	± 0.25						
2 PLACES	± 0.3						
1 PLACE	± 0.1						
0 PLACES	±	EC NO: 737858	DRWN: LIKITV	2023/02/13	DOCUMENT NUMBER		
DRAFT WHERE APPLICABLE MUST REMAIN WITHIN DIMENSIONS		CHK'D: GGA	APPR: GGA	2023/02/24	SD-504248-004		DOC TYPE
THIRD ANGLE PROJECTION		INITIAL REVISION:	DRWN: KAMINO	2014/05/13	PSD	DOC PART	REVISION
DRAWING		APPR: KMORIKAWA	2014/05/15	C1	SHEET NUMBER		
A3-SIZE		SERIES	MATERIAL NUMBER	CUSTOMER	2 OF 3		
		504248	SEE CHART	GENERAL MARKET			



16	21.4	17.4	3.38	504248-1080	○	---	10
キャリアテープ幅 CARRIER TAPE WIDTH	C	B	(A)	MATERIAL No.	量産品 MASS PRODUCTION	試作対応 LOW VOL. TOOL	極数 CIRCUIT
				MODEL No.	サンプル供給 SAMPLE PREPARATION		

THIS DRAWING CONTAINS INFORMATION THAT IS PROPRIETARY TO MOLEX ELECTRONIC TECHNOLOGIES, LLC AND SHOULD NOT BE USED WITHOUT WRITTEN PERMISSION

DIMENSION UNITS mm	SCALE NTS	CURRENT REV DESC: REMOVED OBSOLETE PART NUMBERS AS PER PCN#511691	molex	
GENERAL TOLERANCES (UNLESS SPECIFIED)		EC NO: 737858		
ANGULAR TOL	± 1.0°	DRWN: LIKITV	2023/02/13	PRODUCT CUSTOMER DRAWING
4 PLACES	± 0.2	CHK'D: GGA	2023/02/24	
3 PLACES	± 0.25	APPR: GGA	2023/02/24	DOCUMENT NUMBER SD-504248-004
2 PLACES	± 0.3	INITIAL REVISION:		
1 PLACE	± 0.1	DRWN: KAMINO	2014/05/13	DOC PART 001
0 PLACES	±	APPR: KMORIKAWA	2014/05/15	REVISION C1
DRAFT WHERE APPLICABLE MUST REMAIN WITHIN DIMENSIONS	THIRD ANGLE PROJECTION	DRAWING A3-SIZE	SERIES 504248	MATERIAL NUMBER SEE CHART
			CUSTOMER GENERAL MARKET	SHEET NUMBER 3 OF 3