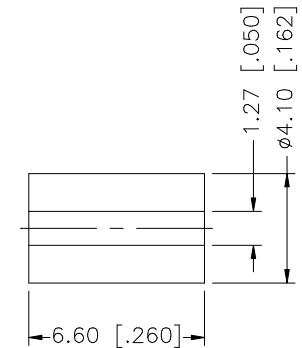
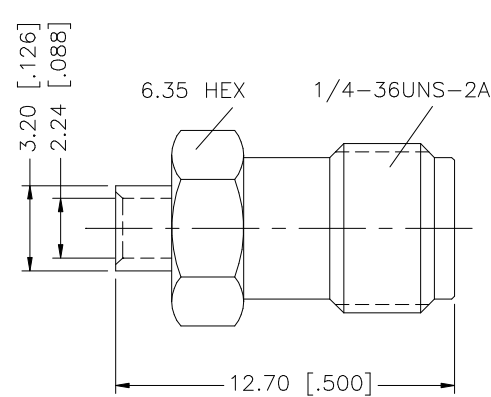
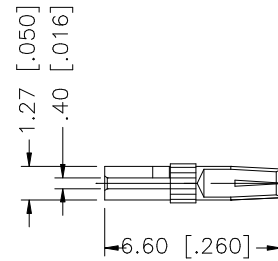
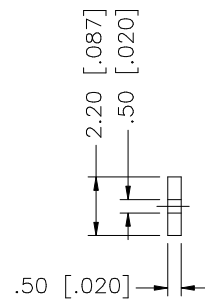
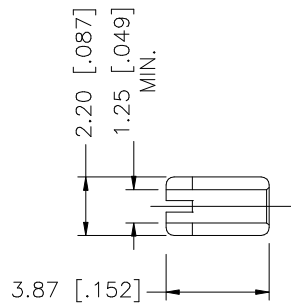
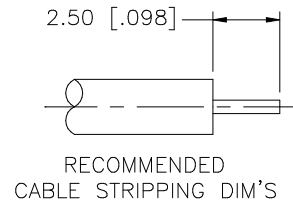


REV.	DATE	DESCRIPTION
A	01/25/04	UPDATE DRAWING FORMAT
B	08/07/05	MODIFY CONTACT PIN



NOTE:

- CONTACT PIN TO SOLDER

DESCRIPTION	MATERIAL	FINISH	QTY	DO NOT SCALE DRAWING	APPROVALS	DATE	Amphenol Connex		
8							SMA DIRECT SOLDER JACK (FOR .047" SIMI-RIGID CABLE)		
7									
6									
5	SOLDER BARREL	BRASS	GOLD	1					
4	INSULATOR	TEFLON	NATURAL	1			PART DESCRIPTION		
3	CONTACT PIN	BER. COPPER	GOLD	1			132257		
2	INSULATOR	TEFLON	NATURAL	1			PART NO.		
1	BODY	BRASS	GOLD	1			DWG. NO. 132257.DWG		
							REV.	SIZE	SCALE
							B	A	NA

UNLESS OTHERWISE SPECIFIED DIMENSIONS ARE IN MILLIMETERS. DIMENSIONS IN [] ARE IN INCHES AND FOR CUSTOMER REFERENCE ONLY.

UNLESS OTHERWISE SPECIFIED TOLERANCES FOR MILLIMETERS ARE:
0.5 - 8mm ± 0.20mm
8 - 30mm ± 0.40mm
30 - 120mm ± 0.50mm

UNLESS OTHERWISE SPECIFIED TOLERANCES FOR INCHES ARE:
.020 - .315 = ± 0.007"
.315 - 1.180 = ± 0.015"
1.180 - 4.724 = ± 0.020"

APPROVALS	DATE
DRAWN G.R.S.	08/07/05
CHECKED	
ISSUED	
SHEET 1 OF 1	
CAD FILE	
C:/132/132257.DWG	

Amphenol Connex		
PART DESCRIPTION		
SMA DIRECT SOLDER JACK (FOR .047" SIMI-RIGID CABLE)		
PART NO.		
132257		
DWG. NO.	132257.DWG	REV. B
SIZE	A	SCALE NA