

Ratings
Voltage: 150 V
Temperature: -40~70 °C

Conductor
Conductor count: 7
Gauge: 20 AWG 0.51 mm²
Material: Tinned copper strands
Strand size: $\varnothing 0.1 \times 65$
Resistance at 20 °C: 36.7 Ω /km max

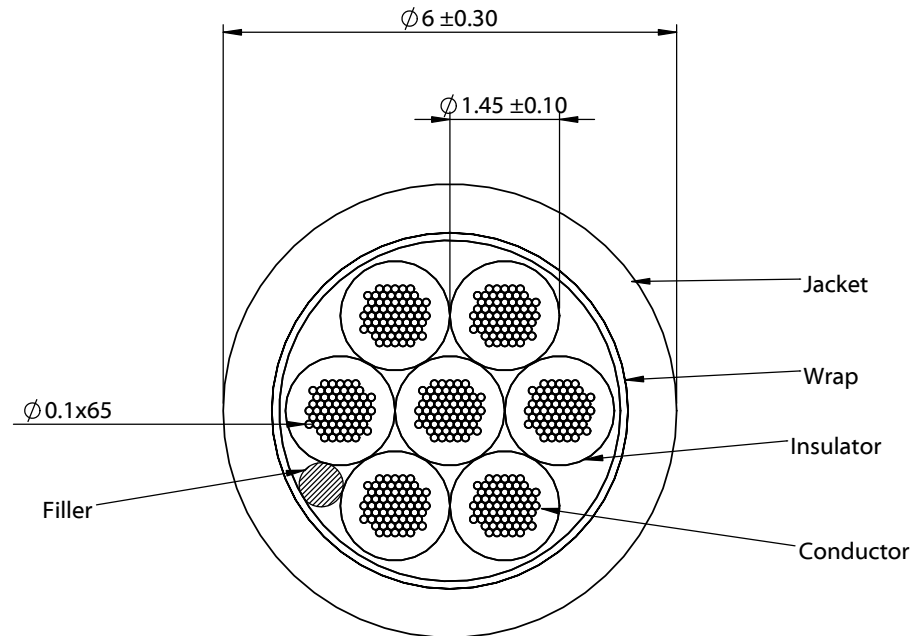
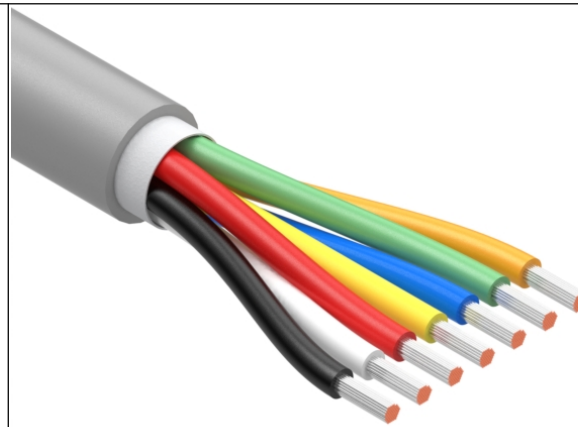
Insulator
Material: HDPE
Color: white, black, red, yellow, white
Diameter: $\varnothing 1.45 \pm 0.10$ mm
Nominal thickness: 0.24 mm
Resistance at 20 °C: 100 M Ω /km min

Wrap
Material: cotton paper

Filler
Material: aramid fiber

Outer jacket
Material: TPU
Color: gray
Diameter: $\varnothing 6 \pm 0.30$ mm
Nominal thickness: 0.70 mm

Tests
Tensile strength: 26 kgf min
Dielectric test: 1500 V dc for 1 minute without breakdown
Bend test at 200 g, $\pm 60^\circ$, 30 cycles /min: 15,000 cycle minimum



Revision:	Date:	Description:
A	9/15/2022	Initial release

Prepared: **MP** Digitally signed by MP Date: 2022.09.23 14:18:12 -0700
Verified: **PB** Digitally signed by PB Date: 2022.09.26 07:54:13 -0700
Dimensions are in millimeters.
Tolerances:
X: ± 0.5 mm
X.X: ± 0.3 mm
X.XX: ± 0.05 mm

Notes:
RoHS compliant
Jacket meets ISO 10993 Biological Compatibility
Phthalate and halogen free
Function test: no open, no short, no intermittent

Description:
Wire, 7C TS, 20 AWG, 150V, 70C, 6.0 mm, TPU, 75A, gray, WBL

TENSILITY

tel 1.541.323.3228 800 877.670.7118
fax 1.541.323.4202 web tensility.com

Size:	Part number:
A	30-02743
Scale: 10:1	Sheet 1 of 1