

34.7	31.2	29	52207-3058	30
33.7	30.2	28	-2958	29
32.7	29.2	27	-2858	28
31.7	28.2	26	-2758	27
30.7	27.2	25	-2658	26
29.7	26.2	24	-2558	25
28.7	25.2	23	-2458	24
27.7	24.2	22	-2358	23
26.7	23.2	21	-2258	22
25.7	22.2	20	-2158	21
24.7	21.2	19	-2058	20
23.7	20.2	18	-1958	19
22.7	19.2	17	-1858	18
21.7	18.2	16	-1758	17
20.7	17.2	15	-1658	16
19.7	16.2	14	-1558	15
18.7	15.2	13	-1458	14
17.7	14.2	12	-1358	13
16.7	13.2	11	-1258	12
15.7	12.2	10	-1158	11
14.7	11.2	9	-1058	10
13.7	10.2	8	-0958	9
12.7	9.2	7	-0858	8
11.7	8.2	6	-0758	7
10.7	7.2	5	-0658	6
9.7	6.2	4	-0558	5
8.7	5.2	3	-0458	4
7.7	4.2	2	52207-0358	3

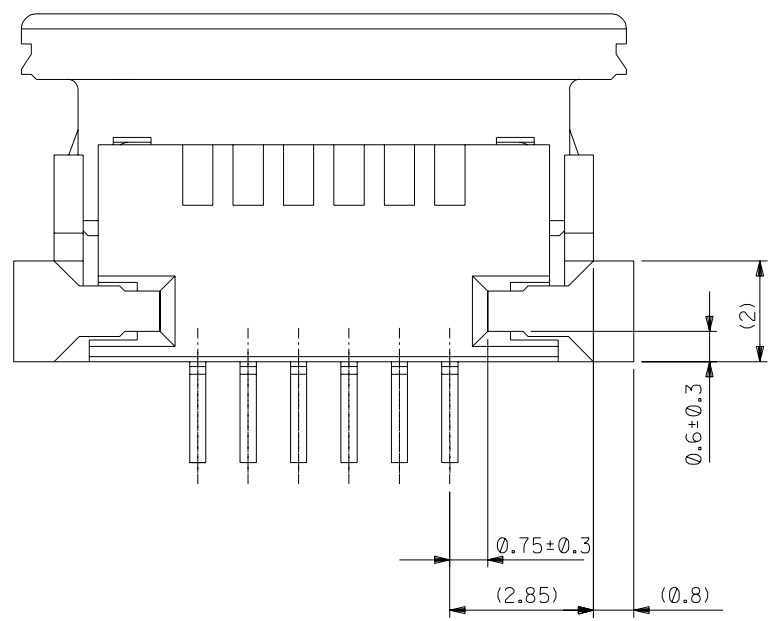
- 注記 NOTES**
- △ 接点部までの嵌合長さ。 LENGTH TO CONTACT POINT.
  - 2. 使用材料 MATERIAL
    - ハウジング : 46ナイロン (耐熱性), UL94V-0
    - ハウジング : 46NYLON, UL94V-0
    - アクチュエータ : PPS, UL94V-0
    - アクチュエータ : PPS, UL94V-0
    - ターミナル : リン青銅, 錫メッキ (t=0.32)
    - ターミナル : PHOS-BRO., TIN PLATED(t=0.32)
    - 金具 : 銅合金, 錫メッキ (t=0.25)
    - 金具 : COPPER ALLOY, TIN PLATED (t=0.25)
  - △ 3. パターンはくり止め用金具 FITTING NAIL FOR PREVENTION OF PEELING OF P.C.B.PATTERN.

- 4. エンボステープ梱包時は, アクチュエータがロックした状態とする。 IN THE PACKAGE, ACTUATOR OF PART NO. 52207-\*\*58 SHOULD BE LOCKED.
- △ 5. FPC挿入深さ INSERTION DEPTH OF FPC.
- △ 6. パターン書き込み禁止エリア。 NO FOOT PRINT AREA.

無鉛  
LEAD FREE

EC NO. DRWN: CHK: APPR:	EC NO. DRWN: CHK: APPR:	EC NO. DRWN: CHK: APPR:	EC NO. DRWN: CHK: APPR:	EC NO. DRWN: CHK: APPR:	RELEASED EC NO. J2003-2436 DRWN: RICHARD.HO CHK: K.TOJO APPR: M.SASAO	MATERIAL 材料 // 注記参照 SEE NOTES	GENERAL TOLERANCES: (UNLESS SPECIFIED) 一般公差	SCALE //	DESIGN UNITS <input checked="" type="checkbox"/> mm <input type="checkbox"/> INCH	THIRD ANGLE PROJECTION	DIMENSIONS: <input type="checkbox"/> mm <input type="checkbox"/> INCH <input type="checkbox"/> mm ONLY	SHT REV
					A	WIRE RANGE 適用電線範囲 //	10 UNDER 未満 ±0.2	DRAWN BY & DATE RICHARD.HO '03/03/19	TITLE: 1.0MM PITCH FPC CONN ZIF SMT			
						FINISH 仕上げ //	10 OVER 30 UNDER 未満 ±0.25	CHECKED BY & DATE K.TOJO '03/03/19				
						INS. RANGE 被覆外径 //	30 OVER 以上 ±0.3	APPROVED BY & DATE M.SASAO '03/03/19				
							ANGLE 角度 ±3°	CAD FILENAME SD-52207-051.S01	MATERIAL NO. 52207-**58	DRAWING NO. SD-52207-051	SHEET NO. 1 OF 2	SIZE B

DWG. NO.  
SD-52207-051



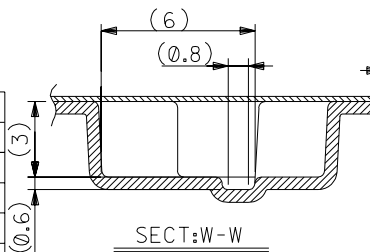
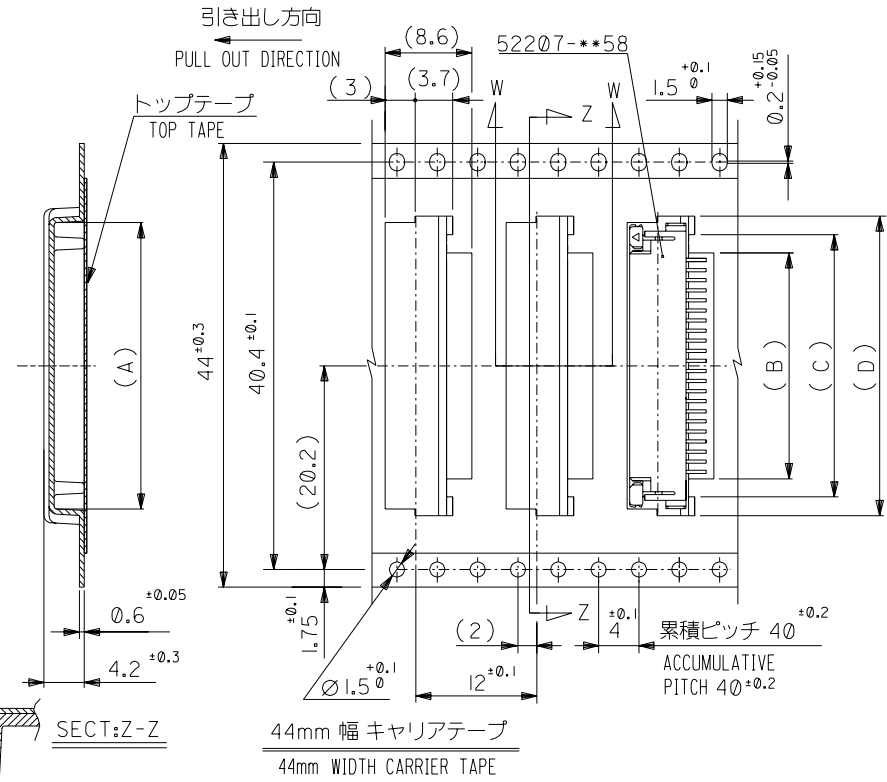
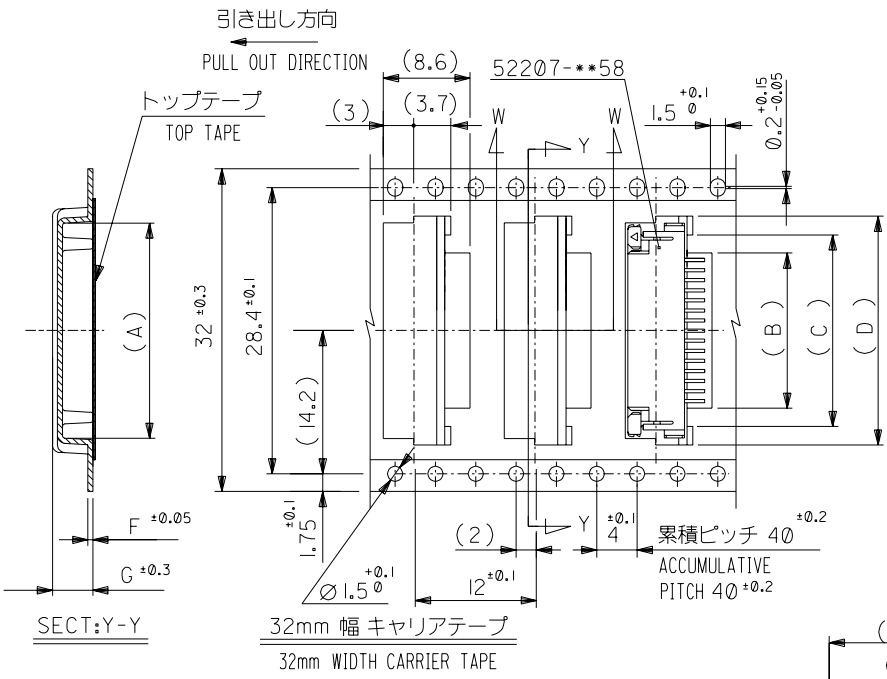
下面図

無鉛  
LEAD FREE

DO NOT SCALE DRAWING

EC NO. DRWN: CHK: APPR:		EC NO. DRWN: CHK: APPR:		EC NO. DRWN: CHK: APPR:		EC NO. DRWN: CHK: APPR:		EC NO. J2003-2436 DRWN: RICHARD.HO CHK: K.TOJO APPR: M.SASAO		MATERIAL 材料 注記参照 SEE NOTES		GENERAL TOLERANCES: (UNLESS SPECIFIED) 一般公差		SCALE 1:1		DESIGN UNITS <input checked="" type="checkbox"/> mm <input type="checkbox"/> INCH		DIMENSIONS: <input type="checkbox"/> mm <input type="checkbox"/> INCH <input checked="" type="checkbox"/> mm ONLY		SHT REV	
						RELEASED EC NO. J2003-2436 DRWN: RICHARD.HO CHK: K.TOJO APPR: M.SASAO		FINISH 仕上り //		WIRE RANGE 適用電線範囲 //		10 UNDER 未満 ±0.2		DRAWN BY & DATE RICHARD.HO '03/03/19		THIRD ANGLE PROJECTION <input checked="" type="checkbox"/> mm <input type="checkbox"/> INCH		TITLE: 1.0MM PITCH FPC CONN ZIF SMT		REVISION CAD ONLY	
						INS. RANGE 被覆外径 //		30 OVER 以上 ±0.25		30 UNDER 未満 ±0.3		CHECKED BY & DATE K.TOJO '03/03/19		APPROVED BY & DATE M.SASAO '03/03/19		MOLEX INCORPORATED		SHEET NO. 2 OF 2			
				A						ANGLE 角度 ±3°		CAD FILENAME SD-52207-051.S02		MATERIAL NO. 52207-**58		DRAWING NO. SD-52207-051		SIZE B			
												THIS DRAWING CONTAINS INFORMATION THAT IS PROPRIETARY TO MOLEX INCORPORATED AND SHOULD NOT BE USED WITHOUT WRITTEN PERMISSION.									





44	45.5	34.5	31	27.7	33.35	52207-2782	27	
		33.5	30	26.7	32.35	4	-2682	26
		32.5	29	25.7	31.35		-2582	25
		31.5	28	24.7	30.35		-2482	24
		30.5	27	23.7	29.35		-2382	23
		29.5	26	22.7	28.35		-2282	22
		28.5	25	21.7	27.35		-2182	21
		27.5	24	20.7	26.35		-2082	20
		26.5	23	19.7	25.35		-1982	19
		25.5	22	18.7	24.35	7	-1882	18
24.5	21	17.7	23.35	52207-1782		17		

32	33.5	4.0	0.5	23.5	20	16.7	22.35	52207-1682	16	
		4.2	0.6	22.5	19	15.7	21.35	4	-1582	15
		4.2	0.6	21.5	18	14.7	20.35		-1482	14
		4.2	0.6	20.5	17	13.7	19.35	7	-1382	13
		4.2	0.6	19.5	16	12.7	18.35	52207-1282		12

無鉛  
LEAD FREE

DO NOT SCALE DRAWING		REVISED		RELEASED		MATERIAL 材料		GENERAL TOLERANCES: (UNLESS SPECIFIED) 一般公差		SCALE 1:1		DESIGN UNITS mm INCH		THIRD ANGLE PROJECTION		DIMENSIONS: mm INCH		SHT REV			
EC NO.	DRWN: CH'K: APPR:	EC NO.	DRWN: CH'K: APPR:	EC NO.	DRWN: CH'K: APPR:	EC NO. J2004-0875	DRWN: K.TOJO	CH'K: S.MARUYAMA	APPR: M.SASAO	EC NO. J2003-2436	DRWN: RICHARD.HO	CH'K: K.TOJO	APPR: M.SASAO	10 UNDER 未滿	±0.2	DRAWN BY & DATE RICHARD.HO '03/03/20	TITLE: 1.0MM PITCH FPC CONN ZIF SMT Embstp Pkg				
													10 OVER 以上	±0.25	CHECKED BY & DATE K.TOJO '03/03/20	MOLEX MOLEX INCORPORATED					
													30 OVER 以上	±0.3	APPROVED BY & DATE M.SASAO '03/03/20	MATERIAL NO. 52207-***82		DRAWING NO. SD-52207-052		SHEET NO. 2 OF 3	
													ANGLE 角度	±3°	CAD FILENAME SD-52207-052.S02				SIZE B		
THIS DRAWING CONTAINS INFORMATION THAT IS PROPRIETARY TO MOLEX INCORPORATED AND SHOULD NOT BE USED WITHOUT WRITTEN PERMISSION.																		EN-02J(097) MXJ-54			

8

7

6

5

4

3

2

1

F

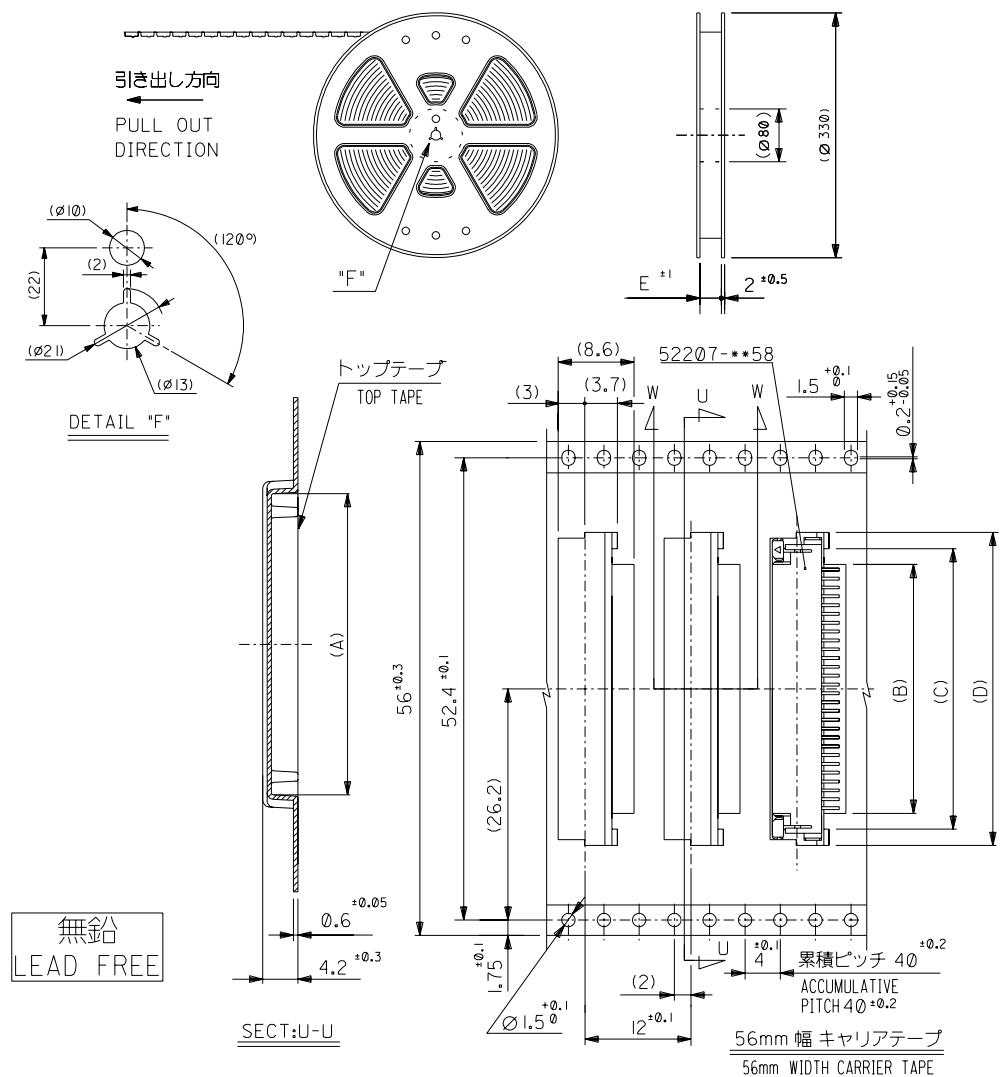
E

D

C

B

SD-52207-052.S03



注記

- 製品番号52207-\*\*58の梱包状態はアクチュエータがロックした状態とする。  
IN THE PACKAGE, ACTUATOR OF PART NO. 52207-\*\*58 SHOULD BE LOCKED  
RE DETAILED DIMENSIONS, SEE SD-52207-051
- 梱包数量: 1000個/リール  
NUMBER OF CONNECTORS: 1000PCS/REEL
- リードテープ長さ(LEAD TAPE LENGTH)  
トップテープ TOP TAPE      トップテープ TOP TAPE  
リーダー部 LEADER PART      未接着部 NON-BONDED PART  
230MIN.      25±5
- トップテープの剥離強度: (剥離方向は下図参照)  
20-80gf 尚、本規格値は、出荷時に適用。(但し、輸送時に剥離が発生しない事。)  
PEELING OFF FORCE OF TOP TAPE: 20-80gf (PEELING DIRECTION AS SHOWN IN FOLLOWING FIG.)  
THIS REQUIREMENT SHOULD BE APPLIED AT SHIPMENT. (PEEL OFF SHOULD NOT BE ALLOWED, DURING TRANSPORTATION.)  
引き出し方向      剥離方向  
PULL OUT DIRECTION      PEEL OFF DIRECTION  
10°
- 材料 (MATERIAL)  
キャリアテープ (CARRIER TAPE): ポリプロピレン (POLYPROPYLENE)  
トップテープ (TOPTAPE): PET, PE, PEF  
リール (REEL): ポリスチレン (PS) <リサイクル材を含む>  
POLYSTYREN (PS) <RECYCLE MATERIAL CONTAINED>

56	57.5	37.5	34	30.7	36.35	52207-3082	30
		36.5	33	29.7	35.35	52207-2982	29
		35.5	32	28.7	34.35	52207-2882	28
キャリアテープ幅 CARRIER TAPE WIDTH	E	(D)	(C)	(B)	(A)	MATERIAL NO.	極数 CKT.

図番 NO. DRAWN: CH'K: APPR: 図番 NO. DRAWN: CH'K: APPR: 図番 NO. DRAWN: CH'K: APPR:	REVISED 図番 NO. J2004-0875 DRAWN: K.TOJO CH'K: S.MARUYAMA APPR: M.SASAO RELEASED 図番 NO. J2003-2436 DRAWN: RICHARD.HO CH'K: K.TOJO APPR: M.SASAO	MATERIAL 材料 注記参照 SEE NOTES FINISH 仕上げ // WIRE RANGE 適用層線範囲 // INS. RANGE 被覆外径 //
B	A	REV

GENERAL TOLERANCES: (UNLESS SPECIFIED) 一般公差 10 UNDER 未満 ±0.2 10 OVER 以上 ±0.25 30 UNDER 未満 ±0.25 30 OVER 以上 ±0.3 ANGLE 角度 ±3°	SCALE 1/1 DESIGN UNITS ㎜ □ INCH DRAWN BY & DATE RICHARD.HO '03/03/20 CHECKED BY & DATE K.TOJO '03/03/20 APPROVED BY & DATE M.SASAO '03/03/20 CAD FILENAME SD-52207-052.S03	DIMENSIONS: 2D 3D 2D ㎜ □ INCH 3D ㎜ ONLY SHT 22 REV 22 TITLE: 1.0MM PITCH FPC CONN ZIF SMT EMBSTP PKG MOLEX MOLEX INCORPORATED MATERIAL NO. 52207-**82 DRAWING NO. SD-52207-052 SHEET NO. 3 OF 3 SIZE B
THIS DRAWING CONTAINS INFORMATION THAT IS PROPRIETARY TO MOLEX INCORPORATED AND SHOULD NOT BE USED WITHOUT WRITTEN PERMISSION.		