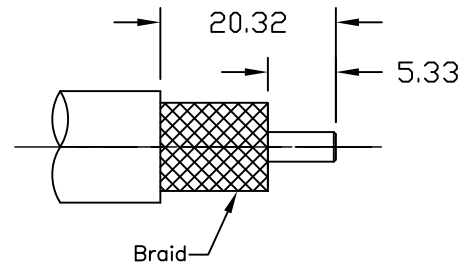
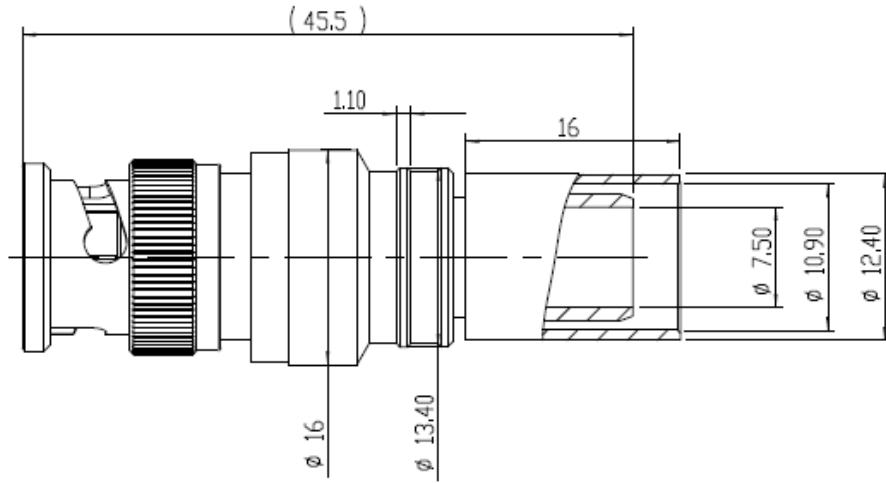


**NOTICE OF PROPRIETARY RIGHTS** THIS DOCUMENT CONTAINS CONFIDENTIAL TECHNICAL DATA, INCLUDING TRADE SECRETS, PROPRIETARY TO TIMES MICROWAVE SYSTEMS. DISCLOSURE OF THIS DATA IS EXPRESSLY CONDITIONED UPON YOUR ASSENT THAT ITS USE IS LIMITED TO USE WITHIN YOUR COMPANY ONLY. ANY OTHER USE IS STRICTLY PROHIBITED WITHOUT THE PRIOR WRITTEN CONSENT OF TIMES MICROWAVE SYSTEMS.

SYM	REVISION DESCRIPTION	DFTM	DATE	APPD	DATE
A	RELEASED FOR PRODUCTION	N. N. N	8/6/13	J. D. B.	8/9/13



Reference standard IEC60169-8

I. Electric Performance  
 Nominal Impedance(Ω): 50  
 Frequency Range: DC-4GHz  
 VSWR: ≤1.35  
 Insert Loss: ≤0.1  
 Insulation resistance (MΩ): ≥5000  
 Withstand voltage (V): 1500  
 Conductor resistance (mΩ):  
 outer conductor <0.4  
 inner conductor <1.5

II. Mechanical Performance  
 Tensile force(cable-connect): 400N  
 Torsion(cable-connect): 2N.m

III. Material and plating:

Component	Material	Plating
inner conductor	Spring copper	Au 1.27um
outer conductor	Brass	Copper-tin-zinc 2um
insulator	PTFE	
o-ring	Silicone rubber	

IV. Environment

Temp.range	-55°C~+155°C
Weather standard	IEC 60068 55 / 155/ 56
Thermal shock	US MIL-STD 202,Meth.107,Cond.B
Vibration	US MIL-STD 202,Meth.204,Cond.B
Shock	US MIL-STD 202,Meth.213,Cond.I
ROHS	compliant

V. Assemble: inner conductor installed and outer conductor crimped

MATL:	UNLESS OTHERWISE SPECIFIED		DFTM: N. N. N	TIMES MICROWAVE SYSTEMS	
	ALL DIMENSIONS ARE IN mm MACHINED SURFACES FINISH N/A RMS MAX. REMOVE ALL BURRS N/A MAX. BREAK MACHINE CORNERS N/A MAX. FILLET R. TOLERANCES ON DECIMALS . XX ± N/A . XXX ± N/A ANGLES ± N/A FRACTIONS ± N/A		DATE: 8/6/13		
USED ON: ~	DO NOT SCALE DRAWING		CHKD: J. D. B.	<b>EZ-400-BM-X</b> BNCM for LMR-400	
			DATE: 8/9/13		
SCALE: N/A	DWG. SIZE: A	CODE IDENT: 68999	APPD: J. D. B.	DATE: 8/9/13	SHIT: 1 of 1
				SD3190-2852	REV: A