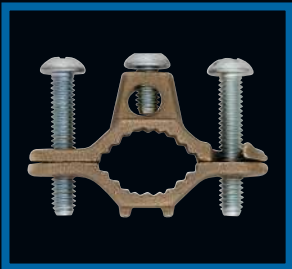


Diamond[®] Hardware Products



Drop Hardware

Construction Hardware

Bonding & Grounding Hardware

Fastening Hardware

Installation Supplies

Diamond® Hardware Products

Table of Contents

Diamond Hardware Overview Pages 2-5

The Diamond® Difference™	2-3
Broadband Drop System	4
CATV Bonding and Grounding Methods	5

Drop Hardware Pages 6-21

Drop Wire Clamps	6-7
Span Clamps	8-9
Clamps - Conduit and Pipe	10-11
Brackets	12
Hooks	13
Rings, Screw Fixtures	14
Cable Clips	15-17
Cable Clamps	18
Cable Ties and Bushings	19
Drive Rings, Wire Loops	20
Drive Pins, Drive Tools	21

Construction Hardware Pages 22-28

Lashed Cable Supports	22-23
Clamps	24
Hangers, Brackets, Hooks	25
Tap Brackets	26-27
Aerial Cable Damper	28

Bonding & Grounding Hardware Pages 29-37

Bonding Clamps	29-30
Ground Blocks	31
Grounding Clamps	32
Grounding Straps	33
Mechanical - Split Bolt Connectors	34
Mechanical - Jumper Clamps	34
Mechanical - Ground Rod Clamps	35
Mechanical-Grounding Conns&Clamps	36

Fastening Hardware Pages 38-57

Cable Support System	38-40
Standard Cable Ties	41-43
Specialty Cable Ties	44-45
Stainless Steel Cable Ties	46-48
Identification Cable Ties	48
Beaded Cable Ties, Push Mount Cable Ties	49
Air Handling Cable Ties	50
Cold Weather Cable Ties	51
Cable Tie Mounting Pads	51-52
Cable Tie Screw Mounts	53
Cable Tie Mounts	54-55
Cable Ties Identification Plates	55
Cable Tie Specialty Packs	56-57

Installation Supplies Pages 58-59

Wall Plates	58
Hardware and Rough-In Products	59

Index Pages 60-62

The Diamond® Difference™

Does Your Hardware Pass the Test of Time?

Diamond® Products Stand the Test of Time.

The unique, proprietary approach that we have to mechanical galvanizing, and the standards that we insist on for our raw materials, ensure that Diamond parts can withstand corrosive environments for decades, a factor that is important today since replacement costs are so high. The photographs below clearly demonstrate the Diamond Difference. Even after 672 hours under the same conditions, Diamond mechanically galvanized parts keep their integrity.

Diamond® Advantage

We mechanically galvanize to ensure that Diamond products will stand the test of time.

- Mechanically galvanized parts have a superior resistance to corrosion.
- It is the most effective method for small parts.
- The process does not clog the threads of nuts and bolts, thus parts can be put together quickly and easily.
- Threaded parts do not 'gall' producing more accurate torque-tension relationships.
- Eliminates the problem of Hydrogen Embrittlement. Heat-treated parts do not detemper or weaken since the galvanizing process takes place at room temperature.

The Diamond® Difference™

We do not depend on the process of mechanical galvanizing alone to provide us with products that will stand the test of time.

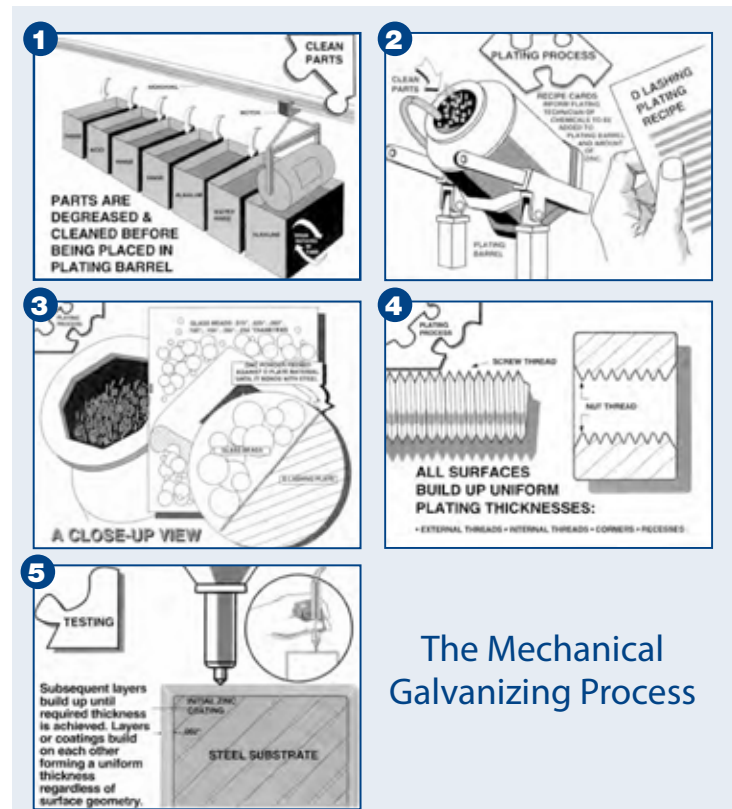
- Raw materials are carefully selected and must meet or exceed the standards we have established over the years.
- How these materials are combined and prepared is unique to the Belden Diamond method of manufacture.
- Our emphasis is on quality control and process management.
- Every stage of the manufacturing and galvanizing process is controlled and monitored.
- To achieve the Diamond Difference no corners can be cut and no process steps excluded.



Diamond

What is Mechanical Galvanizing?

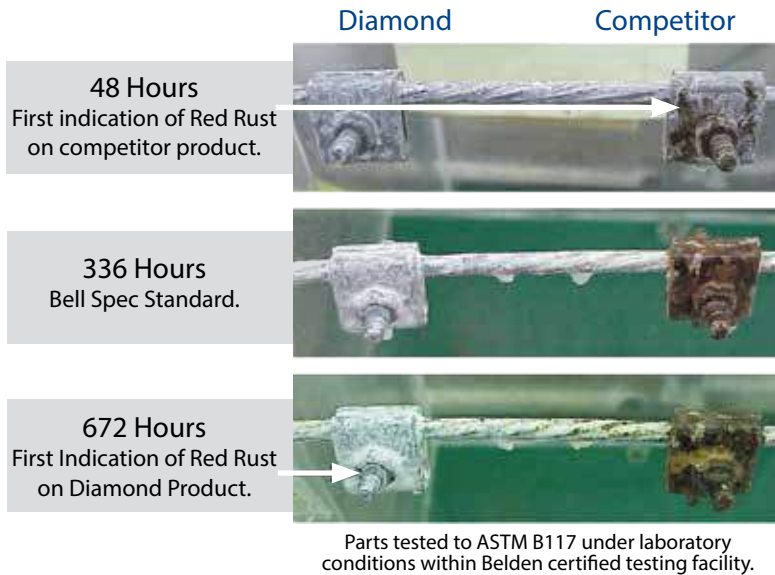
It is a plating process whereby zinc is mechanically deposited on properly prepared steel parts. A uniform coating thickness of zinc is applied by placing the parts in a rotating barrel with the correct recipe of water, glass beads and various chemicals. The impact of the glass beads on the steel parts deposits a layer of zinc onto the metal surfaces. Subsequent layers build up until the required thickness is achieved. The zinc deposited onto the metal surface may be considered a sacrificial coating. Over time this coating slowly reacts with the environment (moisture and air) and becomes mottled producing 'white rust'. The appearance of white rust means that the coating is being sacrificed to protect the underlying steel part.



The Mechanical Galvanizing Process

Salt Spray Test Results

5% salt solution (as used in ASTM B117) is sprayed upon parts in a closed chamber until the first indication of red rust appears.



How Service Life in Hours* Equates to Service Life in Years in Different Environments

Environment	48 Hours	336 Hours	672 Hours	850 Hours
Rural	4.2 Years	30 Years	60 Years	75 Years
Suburban	2.2 Years	16 Years	32 Years	40 Years
Moderate Industrial	1.5 Years	11 Years	22 Years	28 Years
Heavy Industrial	11 Months	6.5 Years	13 Years	17 Years

*Under Test Conditions

Information Source: Iron Age Magazine (Zinc Institute) Oct. 1980 Issue.



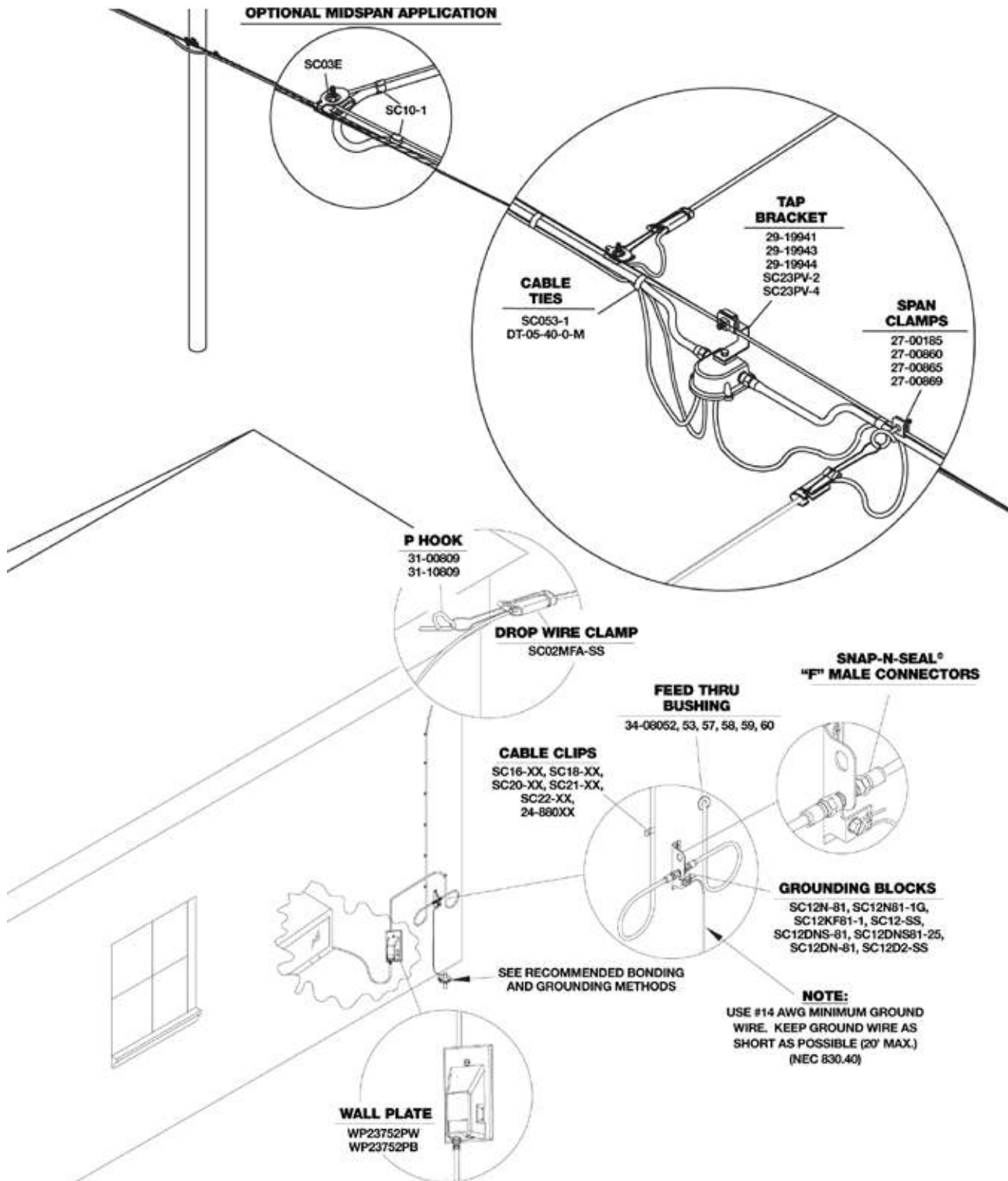
Meeting Your Specifications

We ensure consistent performance and quality by adhering to the following industry standards and specifications used within the Telecommunications Industry.

Bell Core	The Bell Operating Companies (RBOC's) borne of the AT&T divestiture were the first organizations to recognize the need for and to establish quality standards and specifications for pole line hardware in the USA. Bell Communications Research Inc. or 'Bellcore' specifications are acknowledged standards for pole line, drop and bonding/grounding hardware.
SCTE	Society of Cable Telecommunications Engineers (SCTE) is the professional association for the Cable Television industry. SCTE provides training, certification and standards to the industry and is accredited by ANSI as the industry's body of record.
ANSI	American National Standards Institute (ANSI) administers and coordinates U.S. standardization efforts through facilitation of consensus standards and conforming assessment systems. ANSI is the official United States representative to ISO and other international accreditation and standardization bodies.
ISO	The International Organization for Standardization (ISO) reviews, inspects and approves manufacturer facilities and methods then awards quality certification. Facilities must continue to meet the certification requirements to maintain their ISO quality status. Belden's plants are registered to ISO 9001-2000.
ASTM	The American Standards for Testing and Materials (ASTM) organization in conjunction with manufacturers and industry associations has established internationally recognized quality standards. The organization specifies materials, procedures and methods to assure conformance to its standards.
UL	Underwriter's Laboratories is an international safety standards organization, which has established testing criteria for electrical products to assure their safety for the end user.
CSA	The Canadian Standards Association (CSA) has established standards and test criteria to assure satisfactory performance and function of products destined for use in Canada.

Diamond® Hardware

Broadband Drop System Overview



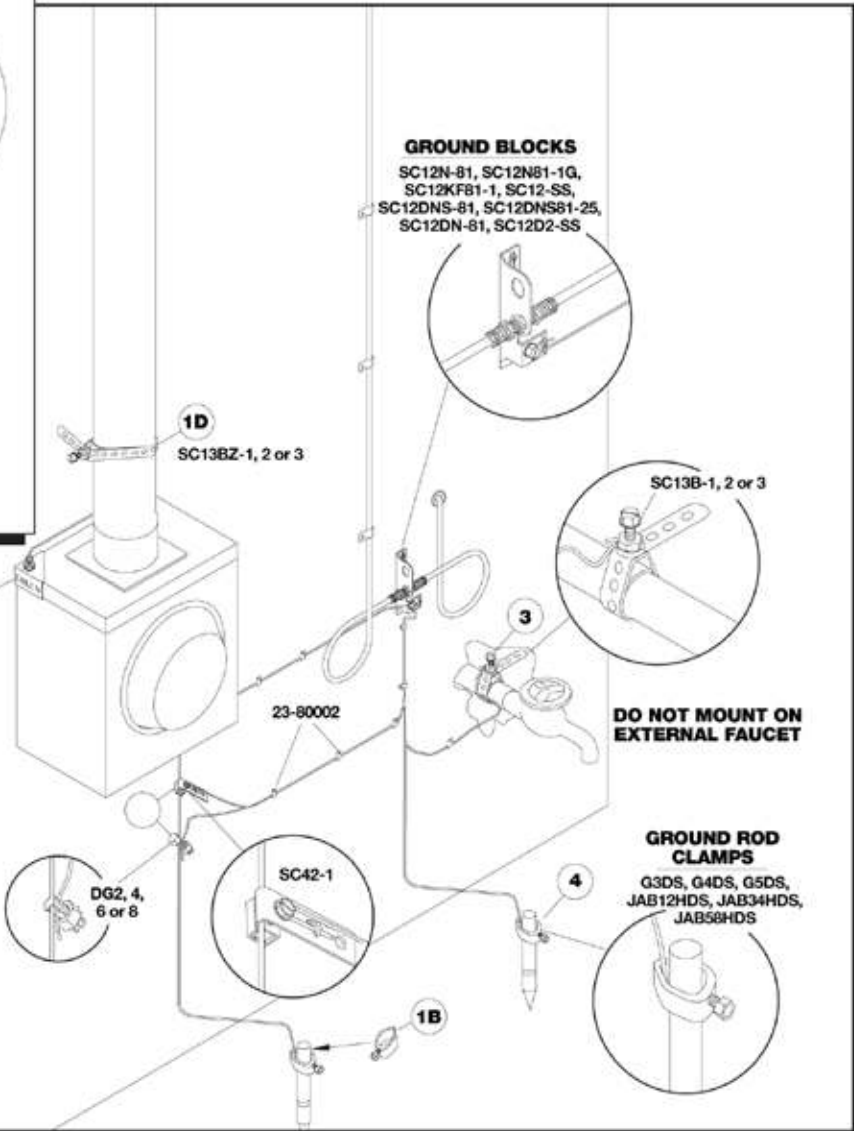
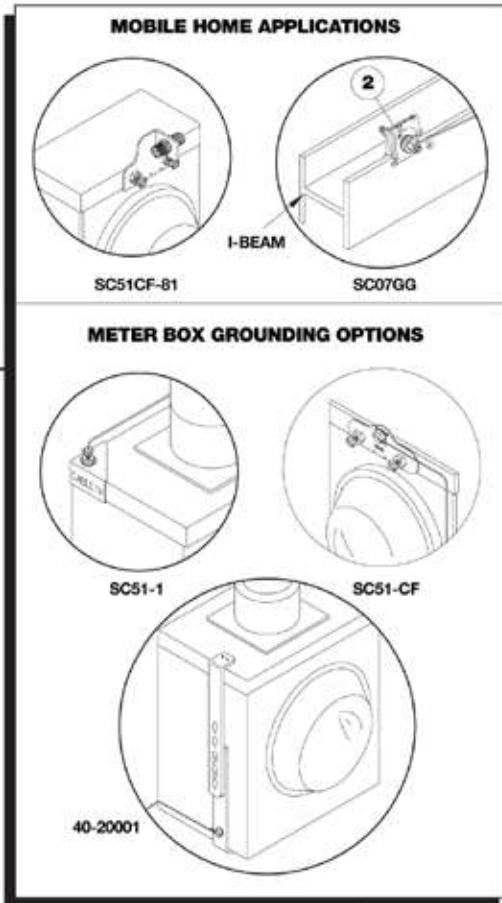
Please NOTE: These pictures depict a typical representation of only Belden products that may be used for bonding/grounding, as well as drop installation.

Diamond® Hardware

Recommended CATV Bonding and Grounding Methods

Bonding and Grounding Methods in Order as Recommended by NEC and SCTE:

1. Power ground system:
 - a. Power ground service wire
 - b. Power service ground rod
 - c. External connector on power service meter box
 - d. Power service entrance conduit (not conduit outlets)
2. Building steel that is bonded to power ground.
3. Metallic water pipe that is bonded to power ground. (water pipes are to be avoided due to the increase in plastic pipes)
4. Additional ground rod (see notes).



Notes:

- All Belden grounding devices shown are U.L. listed.
- Always abide by local grounding codes and follow company sanctioned grounding procedures and priorities.
- Cold water pipe ground is not recommended unless continuity can be guaranteed. Also, must be within 5 ft. of where water enters the home.
- If ground wire is 20 ft. or more from the power ground, an additional ground rod must be installed and connected to the power ground by a #6 ground wire. (Option 4)
- Minimum of #14 AWG solid copper wire required for bonding CATV systems. [NEC 820.40]

Diamond® Drop Hardware

Drop Wire Clamps for CATV and Telephone Cable



Universal Messenger Cable Drop Wire Clamp



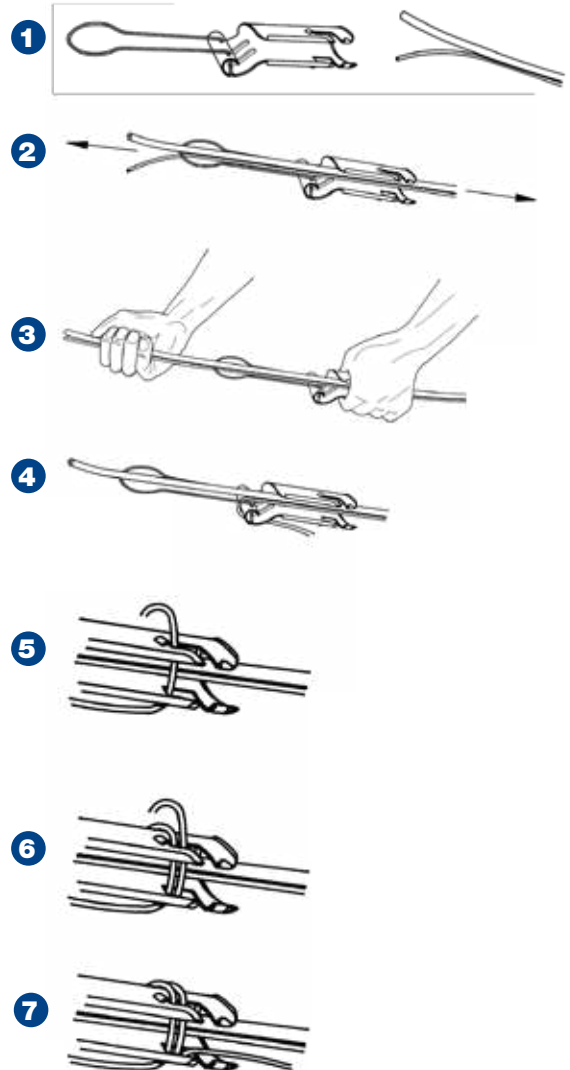
- Permits cable to “float” free, fully protected from strain and chafing.
- Drop clamp for the suspension of a messengered drop cable between the pole, midspan and house.
- For use with RG59, RG6 and other cables
- Stainless steel bail wire and aluminum body.

Part Number	Description	Inner Pack	Outer Pack
SC02MFA-SS	Universal Messenger Drop Wire Clamp	--	125

Installation:

1. Begin separation of the messenger wire from the cable using the end-edge of the SC02MFA-SS Drop Clamp.
Note: Never use a knife or other sharp tool to separate messenger and cable.
2. Fit the cable and messenger wire into the SC02MFA-SS Drop Clamp as shown, so that the Clamp Bail is between the two.
3. Grasp the separated end of the messenger and cable with one hand and grip the Clamp Body, as shown, with your other hand. Then, pull the SC02MFA-SS back, in a straight line, separating the length of messenger wire needed to make the wrap; about 15 to 18-inches.
4. Pull the messenger wire around the center of the bearing surface as shown, toward the rear or drop-side of the Clamp.
Note: If at the house end of the drop, this will be done while tensioning or “sagging” the drop.
5. Pass the messenger wire through the “L” Slots and begin the wrap about the SC02MFA-SS body, as shown.
6. Continue the messenger wire wrap for two full turns.
7. Pass the messenger wire through the “L” Slot, as shown, to the drop-side of the SC02MFA-SS and cut the excess wire away, or ground it to the strand.

Note: For drop cable with larger messenger wire, one wrap is sufficient. Wrap the end of the wire around the end of the SC02MFA-SS and bring it back up the “L” Slots, then cut away the excess, or ground it to the strand.





Diamond® Drop Hardware

Drop Wire Clamps for CATV and Telephone Cable



"B" Drop Wire Clamp

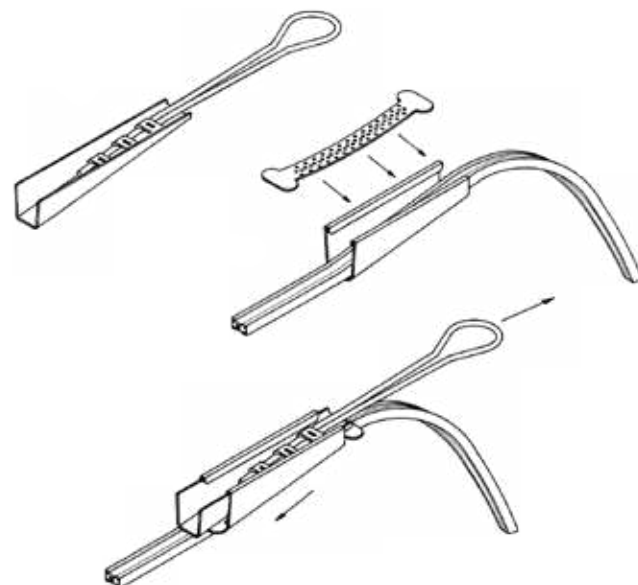


- Used to support both ends of telephone drop, at strand and building.
- Suitable for 1-2 pair .200" max. height and .410' max. width.
- 6 pair version: .300" max. height and .500" max. width.
- Stainless steel bailwire on all versions.
- Special Packages available. Please check with your PPC/Belden Representative.

PartNumber	Description	Material	Pair	Shim Type	Inner Pack	Outer Pack
23-44441	"B" Drop Wire Clamp	Aluminum	1-2	Serrated	--	500
23-44444	"B" Drop Wire Clamp (Bell Packaging)	Aluminum	1-2	Serrated	25	500
23-44445	"B" Drop Wire Clamp	Aluminum	1-2	Serrated	2	250
23-82350	"B" Drop Wire Clamp	Aluminum	6	Dimpled	1	75
23-82351	"B" Drop Wire Clamp	Aluminum	6	Dimpled	25	150
23-88881	"B" Drop Wire Clamp (Bulk Packaging)	Stainless Steel	1-2	Serrated	25	500
23-88885	"B" Drop Wire Clamp	Stainless Steel	1-2	Serrated	2	250

Installation:

1. Lay cable in shell.
2. Place shim on top of cable with raised embossings against cable.
3. Insert wedge in shell (on top of shim) and pull to engage. (Small end of wedge should be initially engaged in track of large end of shell).
4. Place bailwire on "B" drop wire hook (ram's horn) with wedge loose. Pull drop wire through clamp until proper sidewalk/alley clearance is achieved.
5. Grasp clamp (bailwire still on ram's horn) and pull tightly to secure.





Diamond® Drop Hardware

Span Clamps

"Q" Span Clamp



- Provides drop wire take offs at mid-span.
- Steel components mechanically galvanized ASTM B695.

Part Number	Description	Material	Clamp Range	PigTail Diameter	Inner Pack	Outer Pack
27-00185	"Q" Span Clamp	Steel	1/4"-7/16"	1/4"	--	100
2700185-LA	"Q" Span Clamp for P3 Cable w/Messenger	Plates-Aluminum Pigtail - Steel	<1/4"	1/4"	--	100

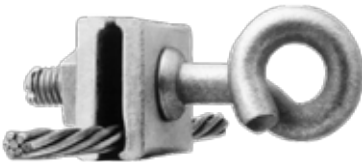
"O" Span Clamp



- Provides drop wire take offs at mid-span.
- Steel components mechanically galvanized ASTM B695.

PartNumber	Description	Material	Clamp Range	PigTail Diameter	Inner Pack	Outer Pack
27-00860	"O" Span Clamp	Plates-Aluminum Pigtail - Steel	1/4"-3/8"	3/8"	--	50

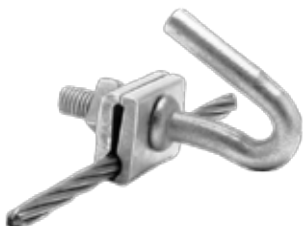
"E" Span Clamp



- Provides drop wire take offs at mid-span.
- Steel components mechanically galvanized ASTM B695.

PartNumber	Description	Material	Clamp Range	PigTail Diameter	Inner Pack	Outer Pack
27-00865	"E" Span Clamp	Steel	1/4"-7/16"	3/8"	5	100

"C" Span Clamp



- Provides drop wire take offs at mid-span.
- Steel components mechanically galvanized ASTM B695.

PartNumber	Description	Material	Clamp Range	PigTail Diameter	Inner Pack	Outer Pack
27-00869	"C" Span Clamp	Plates-Aluminum Hook - Steel	1/4"-3/8"	3/8"	--	50



Diamond® Drop Hardware Span Clamps



Figure 8 Span Clamp



- Provides drop wire take offs at mid-span.
- Steel components mechanically galvanized ASTM B695.

Part Number	Description	Material	Clamp Range	PigTail Diameter	Inner Pack	Outer Pack
28-09800	Fig 8 (.109-.134")	Plates-Aluminum Hook - Steel	1/4"-7/16"	3/8"	--	50
28-09850	Fig 8 (.148-.250")	Plates-Aluminum Hook - Steel	1/4"-7/16"	3/8"	--	25

Econospan Span Clamp



- Multi directional clamp for messengered and non-messengered drop cable used for dead-end or mid-span application.
- Mechanically galvanized ASTM B695.

PartNumber	Description	Inner Pack	Outer Pack
SC03E	Clamp will Accept 1/4" (6.6MM) Steel Strand	--	100

Multi-Directional Span Clamp



- Multi-directional span clamp used for drop cables at mid-span location.
- Unique claw design locks in between steel strand lays to prevent rotation.
- Mechanically galvanized ASTM B695.

PartNumber	Description	Hook Load Capacity	Inner Pack	Outer Pack
SC03-1	Single Pigtail Hook for 1/4" Steel Strand	400 lbs.	--	100
SC03-2	Double Pigtail Hook for 1/4" Steel Strand	400 lbs.	--	75

Diamond® Drop Hardware Clamps



One Hole Clamps



- Used to support cable, conduit or pipe.
- Mechanically galvanized steel ASTM B695.

PartNumber	Description	Size	Pipe or Cable Size	Stock Size	Hole Diameter	Inner Pack	Outer Pack
24-80003	One Hole Clamp	L3	3/16"	.035" x 1/2"	7/32"	500	7,500
24-80004	One Hole Clamp	L4	1/4"	.035" x 1/2"	7/32"	500	5,000
24-80005	One Hole Clamp	L5	5/16"	.035" x 1/2"	7/32"	500	5,000
24-80006	One Hole Clamp	L6	3/8"	.048" x 1/2"	7/32"	500	5,000
24-80007	One Hole Clamp	L7	7/16"	.048" x 1/2"	7/32"	300	2,400
24-80008	One Hole Clamp	L8	1/2"	.048" x 1/2"	7/32"	--	500
24-80009	One Hole Clamp	L9	9/16"	.048" x 1/2"	7/32"	--	500
24-80010	One Hole Clamp	L10	5/8"	.048" x 1/2"	7/32"	--	500
24-80011	One Hole Clamp	L11	11/16"	.062" x 5/8"	9/32"	--	500
24-80012	One Hole Clamp	L12	3/4"	.062" x 11/16"	9/32"	--	500
24-80014	One Hole Clamp	L14	7/8"	.062" x 11/16"	9/32"	--	500
24-80016	One Hole Clamp	L16	1"	.080" x 3/4"	9/32"	--	250
24-80018	One Hole Clamp	L18	1-1/8"	.080" x 3/4"	9/32"	--	250
24-80020	One Hole Clamp	L20	1-1/4"	.115" x 7/8"	9/32"	--	100

One Hole Offset Clamps



- Used to secure telephone cable runs.
- Offset provides a grip on multi-size cable.
- Mechanically galvanized steel ASTM B695.

PartNumber	Description	Cable Size	Stock Size	Hole Diameter	Inner Pack	Outer Pack
23-80403	One Hole Offset Clamp	5/32" - 7/32"	.048" x 5/16"	9/64"	500	5,000
23-80405	One Hole Offset Clamp	1/4" - 5/16"	.048" x 5/16"	9/64"	500	7,500
23-80406	One Hole Offset Clamp	5/16" - 3/8"	.048" x 1/2"	7/32"	500	5,000
23-80407	One Hole Offset Clamp	3/8" - 1/2"	.048" x 1/2"	7/32"	500	5,000



Diamond® Drop Hardware

Clamps



Two Hole Clamps

- Used to support cable, conduit or pipe.
- Offset provides a grip on multi-size cable.
- Mechanically galvanized steel ASTM B695.



PartNumber	Description	Size	Pipe or Cable Size	Stock Size	Hole Diameter	Inner Pack	Outer Pack
25-80070	Two Hole Clamp	#7	7/16"	.048" x 1/2"	13/64"	--	600
25-80100	Two Hole Clamp	#10	5/8"	.048" x 1/2"	7/32"	--	500
25-80110	Two Hole Clamp	#11	11/16"	.062" x 5/8"	9/32"	--	250
25-80120	Two Hole Clamp	#12	3/4"	.062" x 11/16"	9/32"	--	250
25-80140	Two Hole Clamp	#14	7/8"	.062" x 11/16"	9/32"	--	250
25-80160	Two Hole Clamp	#16	1"	.080" x 3/4"	9/32"	--	300
25-80180	Two Hole Clamp	#18	1-1/8"	.080" x 3/4"	9/32"	--	300
25-80200	Two Hole Clamp	#20	1-1/4"	1/8" x 7/8"	9/32"	--	100
25-80240	Two Hole Clamp	#24	1-1/2"	1/8" x 7/8"	9/32"	--	50
25-80260	Two Hole Clamp	#26	1-5/8"	1/8" x 7/8"	9/32"	--	50
25-80300	Two Hole Clamp	#30	1-7/8"	1/8" x 7/8"	9/32"	--	50
25-80360	Two Hole Clamp	#36	2-1/4"	1/8" x 1"	11/32"	--	75
25-80400	Two Hole Clamp	#40	2-1/2"	1/8" x 1"	11/32"	--	50
25-80420	Two Hole Clamp	#42	2-5/8"	1/8" x 1"	11/32"	--	50
25-80560	Two Hole Clamp	#56	3-1/2"	1/8" x 1"	11/32"	--	50



Diamond® Drop Hardware Brackets

Drop Wire Mast Bracket



- Mechanically galvanized steel ASTM B695.
- Mast capacity 2-1/2" to 3" diameter.

Part Number	Description	Inner Pack	Outer Pack
40-00540	Drop Wire Mast Bracket	--	50

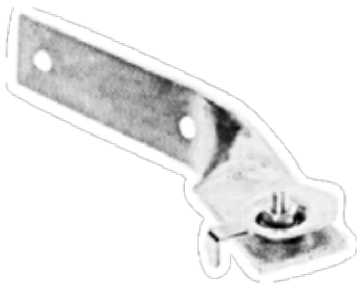
House Bracket



- Multi-dwelling drop cable bracket.
- Attach to building with drive screws or wood screws (1/4" dia.).
- Attach insulator in 7/16" dia. mounting hole.
- Mechanically galvanized steel ASTM B695.

Part Number	Description	Inner Pack	Outer Pack
40-00200	House Bracket 1-3/4" Wide x 3-1/2" High x 3" Horizontal Leg	--	50

Corner Wall Bracket



- Corner wall bracket used to dead-end a messenger drop cable or a steel strand at the building.
- Mechanically galvanized ASTM B695.

Part Number	Description	Inner Pack	Outer Pack
SC53-2	For Messengered Drop Cable with .051" to .072" Steel Messenger Wire	--	50



Diamond® Drop Hardware Hooks



Drop Wire Hook (Ram's Horn)



- Used to attach bail wire type drop wire clamp to building.
- Mechanically galvanized ASTM B695.

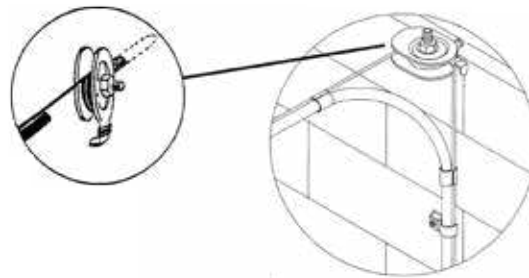
Part Number	Description	Inner Pack	Outer Pack
30-01732	Ram's Horn Type Drop Wire Hook	50	600

"Omni" House Hook



- Omni house hook used to dead-end a messengered drop cable at the house.
- Retainer provides a 1" diameter wrap to messenger steel wire keeping the messenger intact for bonding at the ground block.
- Mechanically galvanized ASTM B695.

Part Number	Description	Inner Pack	Outer Pack
SC26-1	Omni Directional Signal Retainer	--	100
SC26-1L	Omni Directional Signal Retainer - Extra Long	--	100



"P" House Hook



- Used to secure coaxial cable drop installations at the building.
- Accepts bailwire dropwire clamps, wire grips or messenger wraps.
- Mechanically galvanized steel ASTM B695.

Part Number	Description	Overall Length (inches)	Screw Diameter (inches)	Inner Pack	Outer Pack
31-00809	Regular House Hook	3-3/4	1/4	--	200
31-10809	Long House Hook	4-1/2	1/4	--	200
31-00800	Wrench P House Hook	3-3/4	1/4	*	*
31-00801	Wrench P House Hook	4-1/2	1/4	*	*

* (Ask PPC/Belden Representative).

Diamond® Drop Hardware

Hooks, Rings, Screw Fixtures



Dead End Strap



- Dead-end strap made of high quality G90 pre-galvanized steel used to dead-end a drop cable at the house service mast.

Part Number	Description	Inner Pack	Outer Pack
SC11-1	From 1" to 4" Diameter Mast	--	100

Bridle Rings



- Used to support cable runs and electrical wiring.
- Mechanically galvanized ASTMB695.

Part Number	Description	Style	Eye Dia.	Thread Size	Max. Load	Inner Pack	Outer Pack
31-00810	Wood Screw Bridle Ring	A	1-5/8"	#14	75 lbs.	--	100
31-00812	Wood Screw Bridle Ring	C	1-1/4"	#14	75 lbs.	--	100
31-00819	Wood Screw Bridle Ring	G	7/8"	#10	50 lbs.	25	100
31-00821	MachineScrewBridleRing	K	3/4"	#10-24	50 lbs.	100	1,000
31-00823	MachineScrewBridleRing	M	1-1/4"	#10-24	50 lbs.	--	100
31-00824	MachineScrewBridleRing	P	1-3/4"	#10-24	50 lbs.	--	100
31-00825	MachineScrewBridleRing	Q	1-1/4"	1/4"-20	50 lbs.	--	100
31-00827	MachineScrewBridleRing	R	1-5/8"	#10-24	50 lbs.	--	100

Angle Screw Fixture



- Used to attach bail wire type drop wire clamp to building.
- Mechanically galvanized ASTMB695.

Part Number	Description	Wood Screw Diameter	Shank Diameter Length	Machine Thread Length	Insulator Shank Length	Inner Pack	Outer Pack
33-00840	Angle Screw Fixture	5/16" (18)	9/32" x 2-1/4"	1"	1-1/2"	--	150
33-00841	Angle Screw Fixture	3/8"	3/8" x 2"	1-1/8"	2-1/2"	--	100



Diamond® Drop Hardware Cable Clips



"S" Cable Clip - Telephone



- Used to secure telephone drip loop to "B" drop wire hook (Ram's horn).
- Ribs provide positive grip on drop wire.
- Aluminum "S" clip to be secured with lineman's pliers.

Part Number	Description	Maximum Cable Size	Inner Pack	Outer Pack
23-80261	2-3 Pair "S" Clip	.225" x .375"	25	500
23-80262	6 Pair "S" Clip	.300" x .500"	--	500
23-80366	1-2 Pair "S" Clip	.160" x .300"	25	500

"S" Cable Clip - Coaxial



- Used to prevent separation of two cables or a messenger steel wire from a drop cable.

Part Number	Description	Inner Pack	Outer Pack
SC10-1	Made of Soft Aluminum for Easy Finger Forming Accepts Up to Series 7 Cable	--	500

Dual Cable Clip



- Secures dual coaxial cable and telephone six pair cable runs.
- Mechanically galvanized steel ASTM B695.

Part Number	Description	Inner Pack	Outer Pack
22-12121	Dual Cable Clip - Series 6	500	5,000

Diamond® Drop Hardware Cable Clips



"U" Cable Clip



- Pre-formed aluminum cable clip used to secure drop cables and ground wires to either wood or masonry surfaces using self-tapping screws.

Part Number	Description	Inner Pack	Outer Pack
SC19-1	"U" Cable Clip RG59- 6MM	500	10,000
SC20-1	"U" Cable Clip for Series 6 Cable -7MM	500	10,000
SC20-D6	"U" Cable Clip for Dual RG-6 Cable	400	8,000
SC21-1	"U" Cable Clip for #12AWG to #14AWG Ground Wire.	500	10,000
SC21-2	U" Cable Clip for #6AWG to #10AWG Ground Wire.	500	10,000
SC22-1	"U" Cable Clip RG11 - 10MM	400	8,000

Screw and Snap® Clips (Patented)



- Used to secure coaxial cable and ground wire runs to wood, masonry, stucco, brick or concrete.
- For concrete or brick drill .138" pilot hole. Screw will cut threads in hole.
- Convenient strips of ten clips snap off after installation.
- Cable size stamped on clips (aluminum).
- Screw hardened and treated for 500 hour salt spray resistance. ASTM B117.
- Plastic plugs secure screws to strip and prevent torquing.
- Handy holder included in every 30 strip carton.

Part Number	Description	Screw Size	Cable Size	Inner Pack	Outer Pack
24-88013	Screw & Snap Clips	#8 x 3/4"	Series 6	30	300
24-88014	Screw & Snap Clips	#8 x 3/4"	Series 59	30	300
24-88016	Screw & Snap Clips	#8 x 3/4"	10-14 AWG	30	300
24-88017	Screw & Snap Clips	#8 x 3/4"	Series 6Q	30	300
24-88027	Screw & Snap Clips	#8 x 3/4"	Series 11	30	300

*Screw N Snap can be used to attach cable to wood, masonry and concrete when a .138" pilot hole is drilled and fitted with a Diamond Plastic Screw Anchor, Diamond part number, 12-08210.



Diamond® Drop Hardware

Cable Clips



SAXXIT® Cable Clips (Patented)



- "Galvalume" steel cable clip used on concrete, mortar, stucco or wood with a pre-inserted, self-tapping screw or a drive pin.

Part Number	Description	Inner Pack	Outer Pack
SC16-19	SAXXIT Cable Clip for 6mm Cable with No. 8 x 1" Screw 1/4" Hex Head Indented "Phillips"	250	5,000
SC16-26	SAXXIT Cable Clip for 7mm Cable with No. 8 x 1" Screw 1/4" Hex Head Indented "Phillips"	250	5,000
SC16-3Q	SAXXIT Cable Clip for 8mm Cable with No. 8 x 1" Screw 1/4" Hex Head Indented "Phillips"	250	5,000
SC16-411	SAXXIT Cable Clip for 10mm Cable with No. 8 x 1" Screw 1/4" Hex Head Indented "Phillips"	250	5,000
SC16DP-19	SAXXIT Cable Clip for 6mm Cable with 1" Drive Pin	250	5,000
SC16DP-26	SAXXIT Cable Clip for 7mm Cable with 1" Drive Pin	250	5,000
SC16DP-3Q	SAXXIT Cable Clip for 8mm Cable with 1" Drive Pin	250	5,000

SAXXON® Cable Clips



- "Galvalume" steel cable clip used on wood, stucco or mortar with a 1" hardened pre-inserted nail.

Part Number	Description	Inner Pack	Outer Pack
SC18-19	SAXXON Cable Clip for 6mm Cable	500	10,000
SC18-26	SAXXON Cable Clip for 7mm Cable	500	10,000
SC18-3Q	SAXXON Cable Clip for 8mm Cable	500	10,000
SC18L-26	SAXXON Cable Clip for 7mm Cable with 1.625" Hardened Nail	300	3,600
SC18P-26BLACK	SAXXON Cable Clip for 7mm Cable, Painted Black	500	10,000
SC18P-26WHITE	SAXXON Cable Clip for 7mm Cable, Painted White	500	10,000

Diamond® Drop Hardware

Cable Clips, Cable Clamps,



Siding Clips



- Secures coaxial cable runs to aluminum, vinyl or steel siding.
- High density UV stabilized outdoor polypropylene.
- Available in natural (clear) or black.

Part Number	Description	Inner Pack	Outer Pack
12-01401	Horizontal Siding Clip - Natural	100	1,000
12-01402	Vertical Siding Clip - Natural	100	1,000
12-01501	Horizontal Siding Clip - Black	100	1,000
12-01502	Vertical Siding Clip - Black	100	1,000

"E" Drop Wire Clamp



- Used to secure telephone drop wire cable runs.
- Mechanically galvanized ASTM B695.
- Transverse ribs grip cable to prevent abrasion.

Part Number	Description	Inner Pack	Outer Pack
23-80361	"E" Drop Wire Clamp, One Pair, Steel	50	2,000
23-80363	"E" Drop Wire Clamp, One Pair, Steel, Box of 50	1	40
23-80370	"E" Drop Wire Clamp, Two Pair, Steel	50	2,000
23-83361	"E" Drop Wire Clamp, Six Pair, Steel	50	2,000
40-80365	"E" Drop Wire Clamp, Coax, Aluminum	--	500

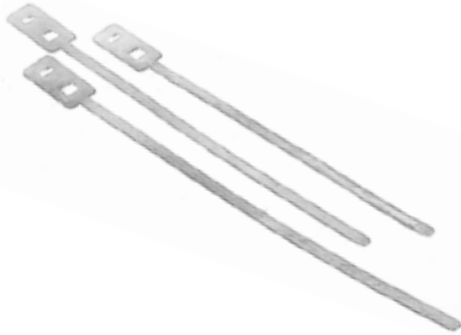


Diamond® Drop Hardware

Cable Ties, Cable Bushings



Cable Ties - Aluminum



- Reusable strap with integral buckle made of malleable aluminum, corrosion resistant, used to support drop cables on the strand, pedestal, lock box and along the wall.
- No sharp edges to cut hands or damage cable.

Part Number	Description	Inner Pack	Outer Pack
SC053-1	7" Long, 1/4" Band - Reusable Aluminum Tie	400	8,000
SC053-2	10" Long, 1/4" Band - Reusable Aluminum Tie	100	1,500
SC28-1*	ID Tag, 3-1/4" long, plain for scribe on	400	8,000
SC28-2	ID Tag, 3-1/4" long with random 6 digit number	400	8,000
SC28-3	ID Tag, 3-1/4" long, with pre-stamped 4 letters and 2 banks of numbers from 0-9	400	8,000
SC28-4	ID Tag, 7" long, plain to scribe on	--	200
SC28-4SCATV	ID Tag, 7" long, pre-stamped CATV	--	200
SC28-5	ID Tag, 10" long, plain for scribe on	--	500
SC28-6	ID Tag, 16" long, plain for scribe on	--	500
SC28-8	Id Tag, 3-1/4" long with single large digit number or letter	400	800
SC28-GT	Id Tag, 2-1/2" X 1-1/4" grounding tag with warning message. Optional cable system name and tele-phone number	400	800

* Different colors available: Green, Red, Yellow

Feed Thru Bushing



- Protects coaxial cable entry into subscriber's building.
- Available in black or natural (clear).
- High density UV stabilized outdoor polypropylene.

Part Number	Description	Color	Cable Size	Inner Pack	Outer Pack
34-08052	Feed Thru Bushing	Black	Series 6, 6Q	100	1,000
34-08053	Feed Thru Bushing	Natural	Series 6, 6Q	100	1,000
34-08057	Feed Thru Bushing - Dual RG6	Black	Series 6, 6Q	100	1,000
34-08058	Feed Thru Bushing - Dual RG6	Natural	Series 6, 6Q	100	1,000
34-08059	Feed Thru Bushing - 15° Angle	Black	Series 6, 6Q	100	1,000
34-08060	Feed Thru Bushing - 15° Angle	Natural	Series 6, 6Q	100	1,000

Diamond® Drop Hardware

Drive Rings, Wire Loops



Drive Rings



- Used to support cable runs and electrical wiring.
- Mechanically galvanized steel ASTM B695.

Part Number	Description	Eye Size	Nail Length (in)	Maximum Load (lbs)	Inner Pack	Outer Pack
30-00801	Drive Ring	1/2"	2.062	50	50	2,500
30-00804	Drive Ring	5/8"	2.250	75	25	1,000
30-00805	Drive Ring	7/8"	2.563	100	25	500
30-00807	Drive Ring	1-1/4"	2.938	125	20	120
30-01801*	Drive Ring - Long	1/2"	2.438	50	50	2,500
30-01804*	Drive Ring - Long	5/8"	2.750	75	25	1,000
30-01805*	Drive Ring - Long	7/8"	3.062	100	25	500
30-01807*	Drive Ring - Long	1-1/4"	3.438	125	25	250

*These sizes have longer nails for greater carrying capacity

Drive Rings



- Drive ring used for guiding cables.
- May be used at the pole or at the house.
- Double crimped loop on concrete nail facilitates installation.
- Mechanically galvanized ASTM B695.

Part Number	Description	Inner Pack	Outer Pack
SC17-1	5/8" Ring with 2-1/4" Concrete Nail	--	250
SC17-2	1-1/4" Ring with 2-1/2" Concrete Nail	--	200

Wire Loops and Wire Loop Drive Pins



- Used to attach drop wire runs to masonry with wire loop drive pins.
- Wire loops mechanically galvanized steel ASTM B695.
- Wire loop drive pins zinc plated steel ASTM B633.

Part Number	Description	Inner Pack	Outer Pack
15-00120	Wire Loop 1/2"	100	1,000
15-00121	Wire Loop 5/8"	100	1,500
15-00122	Wire Loop 7/8"	70	560
15-00123	Wire Loop 1-1/4"	100	1,000
15-10101	Wire Loop Drive Pin, 1-1/2" Long	100	1,500
15-10102	Wire Loop Drive Pin, 1-3/4" Long	100	1,500



Diamond® Drop Hardware

Drive Pins, Drive Tools



Drive Pins



- Used to secure clamps to masonry surface.
- Zinc plated steel ASTM B633.

Part Number	Description	Inner Pack	Outer Pack
15-10041	Drive Pin - 1/4" Head x 3/4" Long, Metal Washer	100	1,500
15-10042	Drive Pin - 1/4" Head x 1" Long, Metal Washer	100	1,500
15-10043	Drive Pin - 1/4" Head x 1-1/4" Long, Metal Washer	100	1,500
15-10044	Drive Pin - 1/4" Head x 1-1/2" Long, Metal Washer	100	1,500

WARNING: Do not use powder actuated tools

Hammer Drive Tool



- Used to install drive pins in masonry.
- Tapered barrel retains drive pin washer prior to installation.
- Vinyl guard protects installer's hand.
- Black oxide finish on heat treated steel barrel.

Part Number	Description	Inner Pack	Outer Pack
15-11111	Hammer Drive Tool	1	25

Diamond® Construction Hardware

Lashed Cable Supports



Lashed Cable Supports



- Used to strap coaxial and telephone cable to strand.
- Available in 430 stainless steel or special zinc alloy in 3/4" width.
- Edges are processed to remove raised and projecting metal. Edges are smooth and free from burrs.

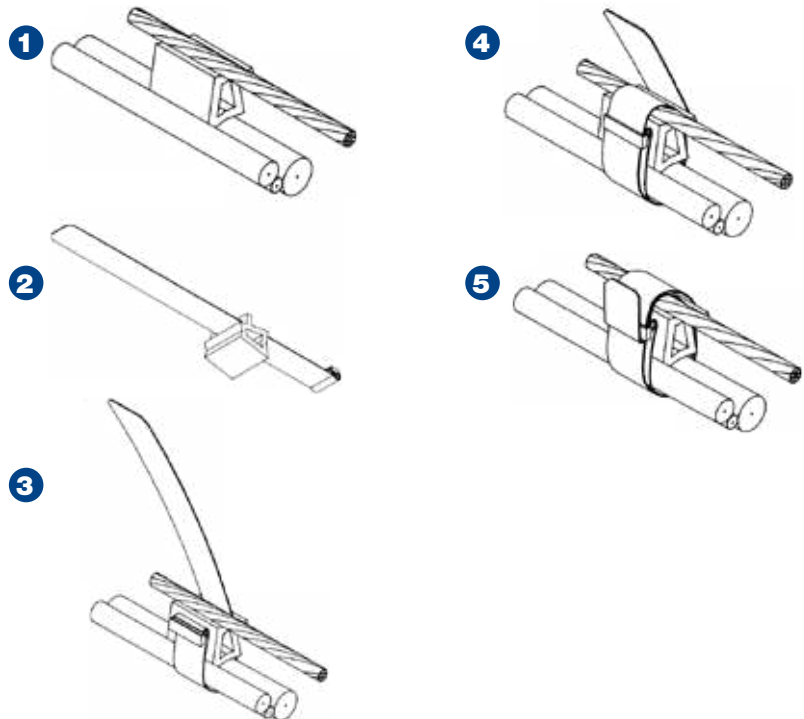
Part Number		Length	Diameter	Bundle Circumference	Inner Pack	Outer Pack
Zinc	Stainless Steel					
34-08911	34-08912	10"	1.2"	3.8"	--	500
34-08921	34-08922	16"	2"	6.3"	--	500
34-08931	34-08932	22"	3"	9.4"	--	300
34-08941	34-08942	28"	4"	12.6"	--	300
34-08951	34-08952	34"	5"	15.7"	--	300
*	34-08956	45"	6.5"	20.4"	--	200
34-08961	*	50"	7.5"	23.6"	--	200
*	34-08972	66"	10.0"	31.4"	--	200
*	3408972-SP	66"	10.0"	31.4"	--	200

Installation:

1. Measure diameter or circumference of bundle. Use table to determine strap length.
2. Thread strap through spacer slot.
3. Wrap strap around bundle (strand, spacer, cables) then through buckle twice, pulling each wrap tight.
4. Strap end should be doubled under itself (about 1.5") before making final pass through buckle. Trim off excess.
5. Bend doubled thickness over top of buckle to prevent unravelling.

Note:

In cable TV installation, straps should not be too tight as they may restrict cable movement during contraction and expansion and possibly damage cable.



* Ask PPC/Belden Representative.



Diamond® Construction Hardware

Lashed Cable Supports



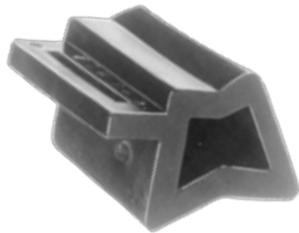
Lashed Cable Support Kit



- Used to strap coaxial or telephone cable to strand.
- Kit contains 100 ft. 430 stainless steel strapping and 75 steel buckles.
- Kit makes 75 straps 16" average length.
- Cut to desired length and secure to buckle.

Part Number	Description	Inner Pack	Outer Pack
34-00890	3/4" Wide Stainless Steel Strap with 75 Buckles	1	10

Plastic Cable Spacer



- High density outdoor polyethylene with U.V. inhibitors.
- Bell type.
- Provides separation between aerial cable and messenger.

Part Number	Description	Inner Pack	Outer Pack
34-08850	1/2" Plastic Spacer	100	1,000
34-08875	3/4" Plastic Spacer	100	1,000

Support Strap



- Reusable support strap with integral buckle made of malleable aluminum fire retardant. Used to bundle telephone, coaxial and fiber cable at the steel strand.
- Safe to use, no sharp edges to cut hands or cables.

Part Number	Description	Inner Pack	Outer Pack
SC05-1	10" Long, 3/4" Band	--	500
SC06-1	16" Long, 3/4" Band	--	500



Diamond® Construction Hardware

Clamps



Lashing Clamps



- Used to secure lashing wire terminations.
- Mechanically galvanized ASTM B695.
- 1/4" - 7/16" clamp range.

Part Number	Description	Inner Pack	Outer Pack
SC07-1	Lashing Clamp	--	100
26-09010	"D" Lashing Clamp	--	100
26-09010NS	"D" Lashing Clamp no stakes	--	100
26-09020	"E" Lashing Clamp	--	100
26-09022	"E" Lashing Clamp with 2 Washers, 2 Nuts	--	100

Figure 8 Three Bolt Suspension Clamps



- Used to secure Figure 8 cable to pole.
- Center hole accommodates 1/2" or 5/8" diameter machine bolt.
- Clamp plates aluminum alloy.
- Steel bolts mechanically galvanized ASTM B695.
- Eliminates need to strip messenger.

Part Number	Description	Messenger Size Range	Inner Pack	Outer Pack
28-09610	Figure 8 Three Bolt Suspension Clamp	.109" - .134"	--	25
28-09615	Figure 8 Three Bolt Suspension Clamp	.148" - .250"	--	20

Figure 8 Tangent Support Clamps



- Used to secure Figure 8 cable to pole.
- Clamp plates and J Hook aluminum alloy.
- Eliminates need to strip messenger.

Part Number	Description	Thru Bolt Hole Size	Messenger Size Range	Inner Pack	Outer Pack
28-09500	Tangent Support Clamp	5/8"	.148"-.250"	--	25
28-09600	Tangent Support Clamp	1/2"	.109"-.134"	--	25
28-19651	Tangent Support Clamp	5/8"	.109"-.134"	--	25



Diamond® Construction Hardware

Hangers, Brackets, Hooks



Fiber Optic Rack Hanger



- Secures F.O. storage devices (snow shoes) to strand.
- For 1/4" - 7/16" strand.
- Aluminum bracket.
- Steel ASTM B695 clamp plates.

Part Number	Description	Inner Pack	Outer Pack
29-19945	Fiber Optic Rack Hanger	--	25

Dead-End Bracket



- Dead-end bracket used to apply tension to steel strand building riser and to provide a means to dead-end a guy strand.
- Mechanically galvanized ASTM B695.
- 1,000 lb. load capacity.

Part Number	Description	Inner Pack	Outer Pack
SC44-1	5/16" Diameter Hook with 2-3/4" Tension Adjustment	--	25

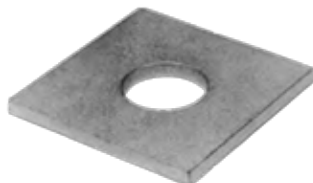
Drive Hooks



- Used to support bail-type drop wire clamps to poles.
- Galvanized to ASTM A153 or B695.
- Fetter drive threads.

Part Number	Description	Inner Pack	Outer Pack
40-43007	7/16" Diameter x 4-3/4" Long	--	100
40-43008	5/16" Diameter x 3-1/2" Long	--	200

Square Washer



- Supports bolt head or nut of machine bolt.
- Mechanically galvanized ASTM B695.

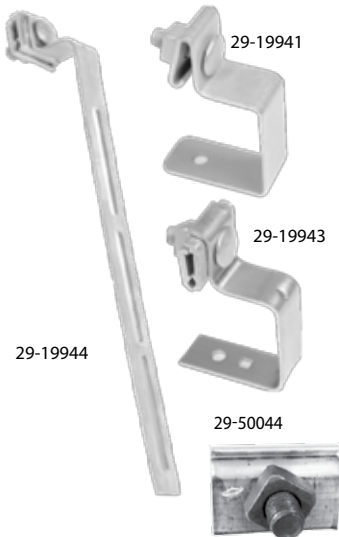
Part Number	Description	Inner Pack	Outer Pack
28-03004	5/8" Bolt Size x 2-1/4" Square x 3/16" Thickness	--	100

Diamond® Construction Hardware

Tap Brackets



Tap Brackets



- Used to secure tap to strand.
- One piece steel snap-on version mechanically galvanized ASTM B695 for 1/4" strand only.
- Aluminum standard tap bracket & extension bracket. Both have 1/4" to 3/8" strand clamping range.
- Square hole in standard aluminum tap bracket mounts Diamond trap sleeve brackets ("W"brackets).

Part Number	Description	Clearance Between Strand & Tap	Load Capacity (lbs) (Minimal Deflection)	Inner Pack	Outer Pack
29-19941	Steel Snap-on Tap Bracket	2-1/2"	40	--	25
29-19943	Aluminum Tap Bracket (Standard)	2-1/2"	30	--	25
29-19944	Aluminum Extension Bracket	3" to 9"	25	--	25
29-50044	Strand Clamp	--	--	--	75

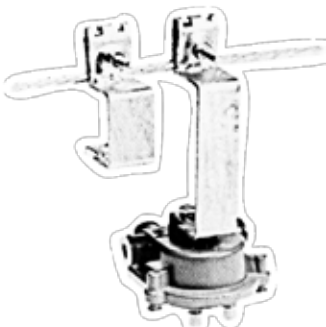
Tap Bracket with Common Ground



- Tap bracket used to secure a tap to the steel strand and provide a means to bond up to eight messengered drop cables.
- Firm and positive grip with no rotation or sliding on steel strand.
- Mechanically galvanized ASTM B695.

Part Number	Description	Inner Pack	Outer Pack
SC23CGS-4	4" Horizontal Mounting with 8 Common Grounds	--	32

Tap Bracket - Vertical Mount



- Tap bracket used to secure a tap to the steel strand.
- Firm and positive grip with no rotation or sliding on steel strand.
- Stopper at multi-tap attachment prevents part rotation.
- Mechanically galvanized ASTM B695.

Part Number	Description	Inner Pack	Outer Pack
SC23PV-2	2" Vertical Mount (Figure 8 Application)	--	32
SC23PV-4	4" Vertical Mount (Figure 8 Application)	--	32

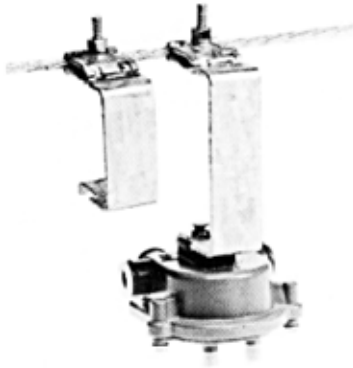


Diamond® Construction Hardware

Tap Brackets, Support Brackets



Tap Bracket - Horizontal Mount



- Tap bracket used to secure a tap to the steel strand.
- Firm and positive grip with no rotation or sliding on steel strand.
- Stopper at multi-tap attachment.
- Mechanically galvanized ASTM B695.

Part Number	Description	Inner Pack	Outer Pack
SC23PS-2	2" Horizontal Mount	--	32
SC23PS-3	3" Horizontal Mount	--	32
SC23PS-4	4" Horizontal Mount	--	32
SC23PS4-C	4" Horizontal Mount - Canada	--	32

Strand Hanger Support Bracket



- Used in mid-span or next to tap application.
- In high risk theft areas, makes it more difficult to tamper with the traps.
- Support up to 4 trap shields (up to 16 traps).
- Mechanically galvanized ASTM B695.
- Can also be supplied with a coated top shield aluminum bracket.

Part Number	Description	Inner Pack	Outer Pack
SC73-1F	Strand Hanger Support Bracket	--	32



Diamond® Construction Hardware

Aerial Cable Damper



Aerial Cable Damper



- Aluminum alloy.
- Designed to use the force of wind to aerodynamically reduce oscillation of cable.
- Supplied with special heavy duty lashed cable supports and “D” lashing clamps to secure to strand.
- Assembly instructions provided.

Part Number	Description	Inner Pack	Outer Pack
28-80001	Aerial Cable Damper	--	5

Installation:

1. Select proper size cable guard for application.
2. Place guard on cable over horizontal slots in Aerial Cable Damper (ACD).
3. Insert lashed cable supports through horizontal slots. Use two wraps and secure by bending end over top of buckle. Allow 1/4" clearance between cable and top of the ACD. The ACD must be allowed to swing free with the wind.
4. Position lashing clamps inside lashed cable supports and secure. Lashing clamps will restrict longitudinal movement to cable area protected by cable guards.
5. **Placement** – The number of ACDs varies with the length of cable span and terrain. The following is recommended as a guide for maximum effectiveness.

Level Ground – Locate at span's center for 125-170 ft. spans (Fig. 1). On spans 170-300 ft., locate two ACDs, each one-fourth the total span length from either pole. (Fig. 2)

Steep Grade – Locate one-tenth total span length from pole at lower level on 125-170 ft. spans. (Fig 3). On spans 170-300 ft., two ACDs are required. Locate one at one-fourth the total span length from lower pole. Locate second ACD halfway between first ACD and uphill pole. (Fig. 4).

Note: When installing on Fig. 8 cable:

1. ACD should be secured to exposed strand.
2. ACD will have limited dampening effective in extreme high wind conditions.

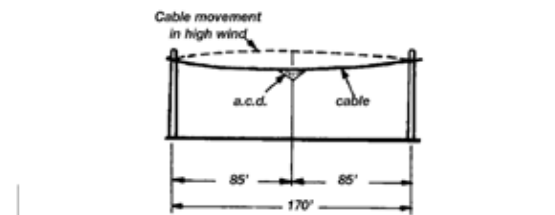


Fig. 1 – Level ground – 125'-170' spans

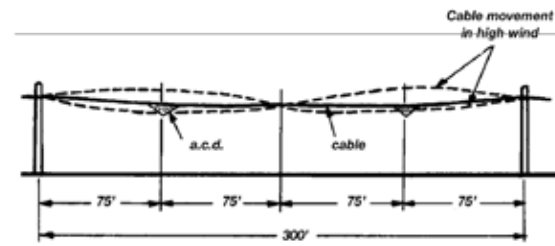


Fig. 2 – Level ground – 170'-300' spans

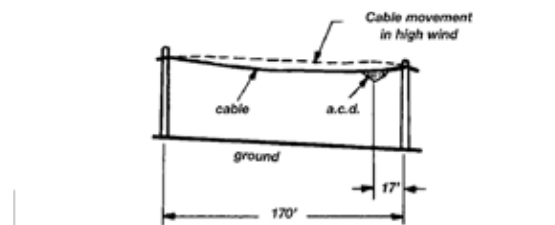


Fig. 3 – steep grade – 125'-170' spans

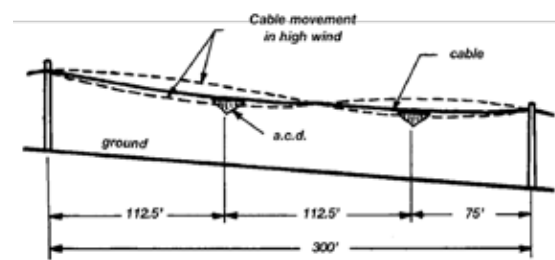


Fig. 4 – steep grade – 170'-300' spans

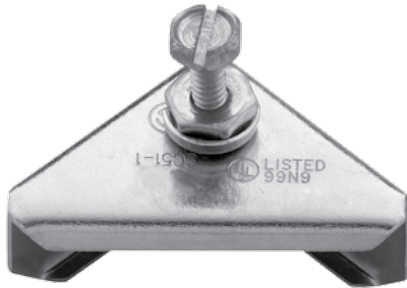


Diamond® Bonding and Grounding Hardware

Bonding Clamps



Bonding Connector for Meter Pan (CATV Applications)



- Meter pan connector designed to provide a bonding connection between the metallic frame of a meter pan and a copper ground wire.
- Its unique design allows a fixed and positive mechanical contact without interfering with the opening of the meter pan front cover.
- Tighten screws to 20 in. lbs. torque.



Part Number	Description	Inner Pack	Outer Pack
SC51-1	For #10/12/14 AWG Copper Ground Wire. Made of G90 Galvanize Steel + Trivalent Chromate	--	100

Installation:

1. The tip of the stainless steel mounting screw is shaped to remove the paint at the point of contact, thus ensuring positive metal-to-metal contact with the top of the meter panel. (Always ensure that the bonding surface is cleaned of excess paint or rust before mounting the SC51-1 connector.) For heavily corrosive or marine environments, use of "RTV" silicone sealer is recommended at the contact point, between the screw tip and the top of the meter pan.
2. Back the bolt and nut from the connector enough to allow it to mount on one of the corner folds of the metal meter pan back corners.
3. Install the connector with the bottom edges gripping on the bottom fold of the fixed top cover of the metal meter pan. Under no circumstances is the bonding connector to be mounted on the front cover or any movable part of the metal meter pan. Tighten the bolt securely by applying sufficient torque (20 inch pound) to ensure a firm and positive connection on the metal meter pan.
4. Remove one inch of insulation from copper ground wire, use caution to avoid scoring or damaging ground wire. Insert grounding wire between washer and grounding nut. Wrap ground wire clockwise between washer and ground nut. Insure that slot in grounding washer is aligned with ground wire. Tighten grounding nut with CNW6 tool to secure ground wire. Do not over tighten. Double check that the grounding bolt is still firmly tight on the metal meter pan enclosure. If not, tighten it one quarter turn.

Recommended for usage when no other approved grounding electrode is accessible.

Fig. 1

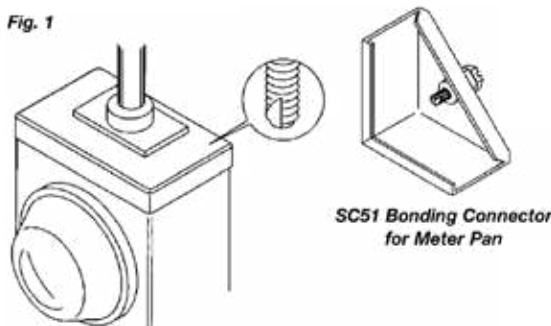


Fig. 2

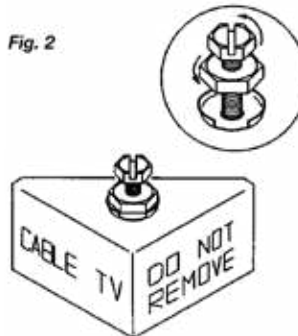


Fig. 3

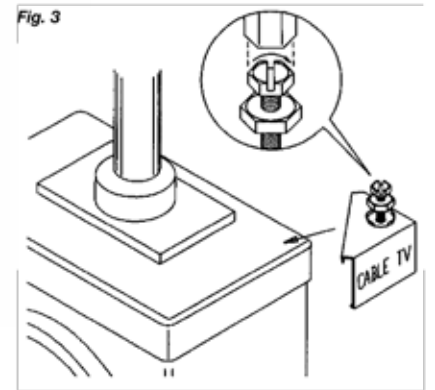
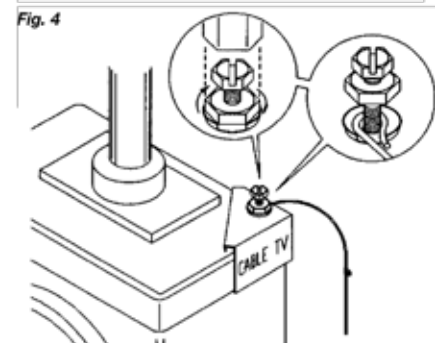


Fig. 4



Diamond® Bonding and Grounding Hardware

Bonding Clamps



Bonding Connector for Meter Pan (CATV Applications)

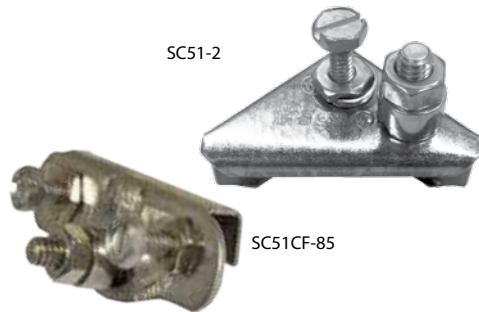


- Meter pan connector designed to provide a bonding connection between the metallic frame of a meter pan and a copper ground wire.
- Its unique design allows a fixed and positive mechanical contact without interfering with the opening of the meter pan front cover.
- Tighten screws to 20 in. lbs. torque.



Part Number	Description	Inner Pack	Outer Pack
SC51-CF	Meter Pan Connector. For #10/12/14AWG Copper Ground Wire. Made of Stainless Steel.	--	100
SC51CF-81	Meter Pan Ground Block for Coaxial Cable with F81 connector. For #10/12/14AWG Copper Ground Wire. Made of Stainless Steel	--	100
SC51CFKF81	Meter Pan Ground Block for Coaxial Cable with F81 connector. For #10/12/14AWG Copper Ground Wire. Made of Stainless Steel	--	100

Bonding Connector for Meter Pan (Telephone Applications)



Part Number	Description	Inner Pack	Outer Pack
SC51-1T	Meter Pan Corner Bonding Connector for #14 to #10 AWG Copper Ground Wire. Connector made of G90 Galvanize Steel + Trivalent Chromate.	--	100
SC51-2	Meter Pan Corner Bonding Connector for #6AWG Copper Ground Wire. Made of G90 Galvanize Steel + Trivalent Chromate	--	100
SC51CF-85	Meter Pan Bonding Connector for #6AWG Copper Ground Wire. Made of Stainless Steel	--	100



Meter Box Ground Clamp



- Provides a convenient, quick installation of a reliable ground or bond for drops.
- 2 adjustable sizes: 6-1/2" to 10-1/2", 11-1/2" to 15-1/2".
- Stainless steel bolts, screw and washer.
- Mechanically galvanized ASTM B695.
- UL Listed.
- Will not restrict cover operation.
- Tighten screws to 20 in. lbs. torque.



Part Number	Description	Clamp Range	Inner Pack	Outer Pack
40-20000	Meter Box Ground Clamp (S), #12-16 AWG	6.5"-10.5"	--	50
40-20001	Meter Box Ground Clamp (L), #12-16 AWG	11.5"-15.5"	--	50
40-20002	Meter Box Ground Clamp (S), #14-6 AWG	6.5"-10.5"	1*	5
40-20003	Meter Box Ground Clamp (S), #14-6 AWG	11.5"-15.5"	1*	5
40-20004	Meter Box Ground Clamp (S), #14-6 AWG	15.5"-21.5"	1*	5
IBT1	Meter Box Ground Clamp (S), #14-6 AWG	6.5"-10.5"	1*	5
IBT2	Meter Box Ground Clamp (S), #14-6 AWG	15.5"-21.5"	1*	5



Diamond® Bonding and Grounding Hardware

Ground Blocks



Grounding Blocks



Part Number	Description	Inner Pack	Outer Pack
GBS81K	Single Ground Block - Outdoor Precision F81 #14 AWG through #6 AWG Copper Ground Wire	--	500
SC12N-81	Single Ground Block with One Precision TBCF81 Connector - 3GHz #14 to #10 AWG Copper Grounding Wire. Made of G90 Galvanize Steel + Trivalent Chromate	--	150
SC12N81-1G	Single Ground Block with One Precision F81 Connector - 1GHz #14 to #10 AWG Copper Grounding Wire. Made of G90 Galvanize Steel + Trivalent Chromate	--	150
SC12KF81-1	Single Ground Block with One Precision KF81-1 Connector - 3GHz #14 to #10 AWG Copper Grounding Wire. Made of G90 Galvanize Steel + Trivalent Chromate	--	150
SC12-SS	Single Stainless Steel Ground Block with One Precision F81 Connector - 2GHz #14 to #10 AWG Copper Grounding Wire.	--	150
SC12DNS-81	Dual Ground Block with One Precision TBCF81 Connector - 3GHz #14 to #10 AWG Copper Grounding Wire. Made of G90 Galvanize Steel + Trivalent Chromate	--	100
SC12DNS81-25	Dual Ground Block with One Precision TBCF81 Connector - 3GHz. #14 to #10 AWG Copper Grounding Wire. Made of G90 Galvanize Steel + Trivalent Chromate	--	100
SC12DN-81	Dual Ground Block with Two Precision TBCF81 Connectors - 3GHz #14 to #10 AWG Copper Grounding Wire. Made of G90 Galvanize Steel + Trivalent Chromate	--	100
SC12D2-SS	Dual Stainless Steel Ground Block with Two Precision F81 Connectors - 2GHz #14 to #10 AWG Copper Grounding Wire.	--	100
SC12D-SS	Dual Stainless Steel Ground Block with One Precision F81 Connector. 2GHz. Made for #14 to #10AWG Copper Ground Wire	--	100

Grounding Bracket



- Grounding bracket permits upgrading number of drops by mounting 2, 3 or 4 way splitters simply by using the SC09 splitter ring nut for mounting.
- Made of G90 Galvanize Steel + Trivalent Chromate..



Part Number	Description	Inner Pack	Outer Pack
SC46DN	Accepts connector for #14 to #10 AWG Copper Grounding Wire	--	100

Splitter Ring Nut



- Splitter ring nut especially designed for converting the SC12DN grounding blocks to accept splitters.

Part Number	Description	Inner Pack	Outer Pack
SC09-1	Brass, Nickel Plated, .172" Height	250	5,000

Diamond® Bonding and Grounding Hardware

Grounding Clamps



Span Clamp



- Span clamp for steel messengered drop cable bonding applications.
- Unique locking design prevents rotation on steel strand.
- Mechanically galvanized ASTM B695.

Part Number	Description	Inner Pack	Outer Pack
SC03E-2G	For Two Steel Messenger Wires .051" to .072" Diameter Used on 1/4" (6.6m) Steel Strand	--	75

"I" Beam Grounding Clamp



- Grounding clamp used to bond a solid copper ground wire to steel structure.
- Mechanically galvanized ASTM B695.

Part Number	Description	Inner Pack	Outer Pack
SC07GG	I Beam Grounding Clamp for #14 to #10AWG Copper Ground Wire	--	125

"B" Ground Wire Clamp



- Used to secure #6 AWG to #12 AWG ground wire runs.
- Mechanically galvanized ASTM B695.
- 7/32" hole diameter.
- 3/8" wide x 9/16" long.

Part Number	Description	Ground Wire Range	Inner Pack	Outer Pack
23-80002	"B" Ground Wire Clamp	#12 (.081") to #6 (.162") AWG	500	5,000

Ground Connector



- Ground connector used to connect various size copper ground conductors with a firm mechanical contact.
- Made of pure copper with brass fastener.



Part Number	Description	Inner Pack	Outer Pack
SC42-1	Connects #4 or #6AWG to #10, #12 or #14AWG Copper Ground Wire	150	1,800



Diamond® Bonding and Grounding Hardware

Grounding Straps



Copper Ground Strap



- Ground strap used to provide a fixed and permanent connection between a copper water pipe to a copper ground wire.
- Made of pure copper (ASTM B152-110) and brass fasteners (ASTM B16-360 and B134-260).
- All longitudinal dimensions are based on disassembled pieces.



Part Number	Description	Inner Pack	Outer Pack
SC13B-1	6.5" Strap, Fits 1/2" to 1" Diameter Pipe to #10/12/14 AWG Copper Ground Wire	--	150
SC13B-2	9" Strap, Fits 1/2" to 2-1/4" Diameter Pipe to #10/12/14 AWG Copper Ground Wire	--	200
SC13B-3	12" Strap, Fits 1/2" to 3" Diameter Pipe to #10/12/14 AWG Copper Ground Wire	--	150

Galvanized Ground Strap



- Ground strap used to provide a fixed and permanent connection between a galvanized steel pipe and a copper ground wire.
- Made of G90 galvanized steel that meets Salt Test ASTM B117. Fasteners are made of brass, nickel plated (ASTM B16-360 and B134-260) to create a neutral for galvanized to copper connection.
- All longitudinal dimensions are based on disassembled pieces.



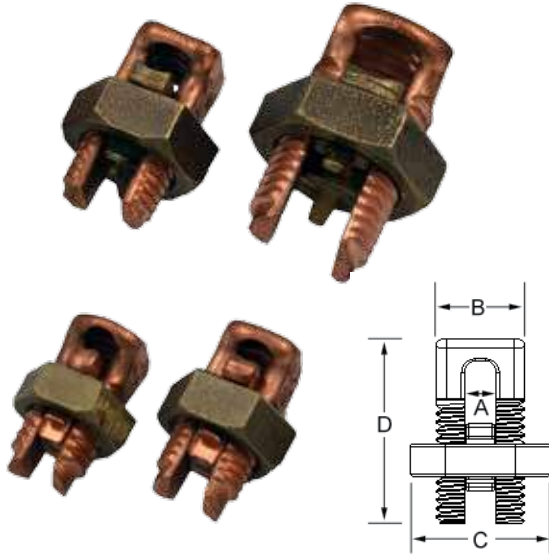
Part Number	Description	Inner Pack	Outer Pack
SC13BZ-1	6.5" Strap, Fits 1/2" to 1" Diameter Pipe to #10/12/14 AWG Copper Ground Wire	--	150
SC13BZ-2	9" Strap, Fits 1/2" to 2-1/4" Diameter Pipe to #10/12/14 AWG Copper Ground Wire	--	200
SC13BZ-3	12" Strap, Fits 1/2" to 3" Diameter Pipe to #10/12/14 AWG Copper Ground Wire	--	150
SC13BZ-4	23-3/4" strap. Fits 1/2" to 6" Diameter Pipe for #10/12/14 AWG Copper Ground Wire	--	100

Diamond® Bonding and Grounding Hardware

Mechanical - Split Bolt Connectors, Jumper Clamps



High Strength Split Bolt Connectors



- For copper to copper connections.
- High strength corrosion resistant copper alloy for use in bonding applications.
- Highly resistant to corrosion and seasonal cracking.
- Hex design nut of high strength corrosion-resistant bronze alloy.
- Pressure bar is copper.
- UL and CSA listed.



Part Number	Size	Dimensions (In)				Inner Pack	Outer Pack
		A	B	C	D		
DG2	#2	0.309	0.615	0.875	1.240	100	400
DG4	#4	0.209	0.453	0.688	0.984	100	800
DG6	#6	0.165	0.413	0.625	0.906	100	800
DG8	#8	0.146	0.413	0.562	0.854	100	800

Type K - Jumper Clamp



- For all combinations of aluminum, copper and steel conductors.
- Cast of high strength bronze alloy CDA836.
- Furnished with silicon bronze bolt and lockwasher. Lockwasher minimizes loosening of installed clamp.
- Parallel groove design; no need to remove bolt for installation.
- Only one size for all requirements from No. 8 solid copper to 1/0 ACSR or 2/0 copper.



PartNumber	Description	Inner Pack	Outer Pack
K1DS	Bonds 1/4" and 5/16" Strand to #6 AWG Copper Ground Wire, Tin Plated Clamp (except for 1 wire groove) with Galvanized Steel Bolt	100	600
K2DS	Bonds 1/4" and 5/16" Strand to #6 AWG Copper Ground Wire, Tin Plated Clamp with Galvanized Steel Bolt	100	600
K3DS	Bonds 1/4" and 5/16" Strand to #6 AWG Copper Ground Wire, Non-Plated Clamp with Galvanized Steel Bolt	100	600
KULDS	Bonds 1/4" and 5/16" Strand to #6 AWG Copper Ground Wire, Tin Plated Clamp with Bronze Bolt	100	600



Diamond® Bonding and Grounding Hardware

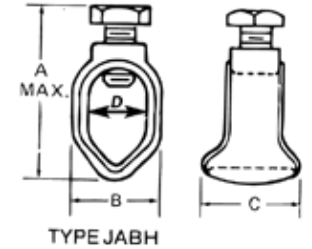
Mechanical - Ground Rod Clamps



Type JAB Ground Rod Clamps



- Cast of high strength corrosion resistant copper alloy CDA955.
- Hex head.
- Long bearing surface of clamp on ground wire secures ground connection.
- U.L. Listed for direct burial.

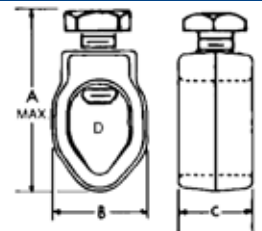


Part Number	Nominal Rod Diameter		Wire Range				Dimensions (IN)						Package Quantity
	IN	MM	Max	Min	Max (MM2)	Min (MM2)	A (Max) Socket Screw	A (Max) Hex Bolt	Screw Thread Size	B	C	D	
JAB12H-DS	1/2	12.7	2 Str.	10 Sol.	33.6	5.2	1-19/32	2-3/32	7/16"-14UNC	15/16"	63/64"	11/16"	100
JAB34H-DS	3/4	19.0	1/0 Str.	8 Sol.	53.4	8.3	2	2-11/32	7/16"-14UNC	11/16"	1"	51/64"	50
JAB58H-DS	5/8	15.8	1/0 Str.	8 Sol.	53.4	8.3	1-27/32	2-13/64	7/16"-14UNC	51/64"	7/8"	19/32"	50

Type G Ground Rod Clamps



- A dependable ground connection offered at a substantial savings.
- Cast of high strength corrosion-resistant copper alloy CDA955.
- Hex head bolts.
- Simplified compact design will make a lasting, trouble-free connection.
- U.L. Listed for direct burial.



Part Number	Nominal Rod Diameter		Wire Range				Dimensions (IN)						Package Quantity
	IN	MM	Max	Min	Max (MM2)	Min (MM2)	A (Max) Bolt	Screw Thread Size	B	C	D	E	
G3-DS	3/8	9.5	4 Str.	10 Sol.	21.6	5.2	--	5/16"-18UNC	11/16"	1/2"	27/64"	3/8"	100
G4-DS	1/2	12.7	2 Str.	10 Sol.	33.6	5.2	--	3/8"-16UNC	49/64"	21/32"	33/64"	1/2"	100
G5-DS	5/8	15.8	2 Str.	10 Sol.	33.6	5.2	--	3/8"-16UNC	29/32"	19/32"	21/32"	1/2"	50

Diamond® Bonding and Grounding Hardware

Mechanical - Grounding Connectors and Clamps



Die Cast Zinc Water Pipe Clamp



- Budget price clamps.
- Made of die cast zinc alloy with zinc plated screws.



Part Number	Water Pipe Size	Conductor Range		Package Quantity
		Maximum	Minimum	
BJ1DS	1/2"-1"	#2 Stranded	#10 Solid	250

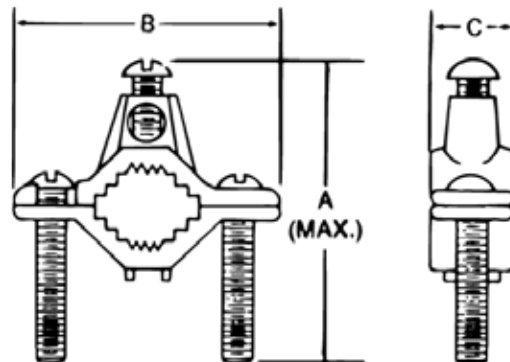
Cast Bronze Water Pipe Clamp



- For connecting grounding conductor to water pipe or copper tube.
- Cast of high strength, highly conductive copper alloy.
- Zinc plated crews plated for corrosion resistance.
- UL listed.



Part Number	Water Pipe Size	Conductor Range		Dimensions (IN)			Package Quantity
		Maximum	Minimum	A	B	C	
JDS	1/2"-1"	#2 Stranded	#10 Solid	2-3/4	2-11/32	23/32	100





Diamond® Bonding and Grounding Hardware

Mechanical - Grounding Connectors and Clamps



Trailer Ground Clamp



- 7/16" tin plated hex head bolt installs with terminal wrench or crescent wrench. Square head bolt allows clamp to be installed with pliers.
- Ground wire hole access from four directions minimizes having to bend ground wire.
- Designed so ground wire may be installed on clamp prior to mounting the clamp on metal frame, reducing installation time.
- Beam and ground wire connection can be separately tightened without disconnect integrity of ground circuit.
- High strength copper alloy CDA956 (91% nominal) providing greater conductivity, durability and excellent corrosion resistant characteristics without reliance on plating.
- High strength anchoring bolt penetrates paint.
- Bolts are electro-galvanized. Blade-type ground wire screw is tin-plated.



Part Number	Bolt Type	Unit Quantity	Standard Package
TGCDS	Square Head - 15/16" - 18UNC Bolt	25	100
TGCHDS	Slotted Screw Head - 5/16" - 24UNF	25	25

Diamond® Fastening Hardware Cable Support System



Diamond-Tek® Cable Support System



Provides a Strong, Long Life and Cost Saving Method of Securing Communication Cables.

The Diamond-Tek® Cable Support System is a user-friendly product designed to provide ease and flexibility in fastening communications cables to messenger strand. It is equally well suited for copper conductor cable, coaxial cable, fiber optic cable and inner duct in aerial applications.

The Diamond-Tek® system answers your aerial cable needs with innovative design and state of the art materials. This system includes weather-resistant Delrin® cable straps, stainless steel locking devices, and base hanger accessories for specific applications where mounting is required.

Diamond-Tek® cable straps are available in standard lengths of 10, 13.5, 16 and 27 inches, and in convenient 50 foot reels where specific lengths need to be established by the installer in the field. Additional "standard" lengths can be established for applications where higher volumes prevail.

Advantages of the Diamond-Tek® System Include:

- Proven years of service.
- No sharp edges - craft friendly! Cable friendly!
- Ease of installation - one wrap, no re-threading of re-strap.
- Lowers installation costs.
- High tensile strength after fastening.
- Total flexibility of strap lengths when using reel.
- Stackable spacers accommodate all cable sizes - no need to stock multiple sizes of individual height spacers.
- Spacer designed to retain strap on each side and cradle the cable, providing restricted movement of spacer and preventing damage to cable.
- In situations where multiple cables are supported, the Diamond-Tek® DT-D-SP-100 stackable spacer may be rotated 90 degrees and installed similar to a single cable, yet provide the same restricting features (unlike those commonly used today).



Quick, Easy Installation:

1. Position spacers, as required, between strand and cable or between cables.
2. Hold head of Diamond-Tek® strap at top of strand; thread tail through spacer, around cable, up through other side of spacer and into other side of the head.
3. Pull until snug, or use tool DT-TOOL to pull strap up tight and cut tail flush with head.

Specifications

Strap and Body	Dupont Delrin®. Offers superior resistance to sunlight, moisture, and salt environments.
Locking Device	Heads contain two unique 301 stainless steel locking pawls that enhance the strength and grip on the strap.
Installation Range	-40°F to 185° F (-40°C to 85°C)
Mechanical Properties	350 lbs. tensile strength. Insertion force 5lbs. or less.
Outdoor Life	Designed to last a minimum of 30 years.
Continuous Load	20 lbs.



Diamond® Fastening Hardware

Cable Support System



Strap with Locking Head



Delrin Strap			
Part Number	Description	Inner Pack	Outer Pack
DT-D-10-50	Delrin Cable Strap with Head, 10.0" Long	50	50
DT-D-13-50	Delrin Cable Strap with Head, 13.5" Long	50	50
DT-D-16-50	Delrin Cable Strap with Head, 16.0" Long	50	50
DT-D-27-25	Delrin Cable Strap with Head, 27.0" Long	25	25

Nylon Strap - recommended for indoor use only.

Part Number	Description	Inner Pack	Outer Pack
DT-N-10-50	Nylon Cable Strap with Head, 10.0" Long	50	20
DT-N-12-50	Nylon Cable Strap with Head, 12.0" Long	50	20
DT-N-13-50	Nylon Cable Strap with Head, 13.5" Long	50	20
DT-N-15-50	Nylon Cable Strap with Head, 15.0" Long	50	20
DT-N-16-50	Nylon Cable Strap with Head, 16.0" Long	50	20
DT-N-18-50	Nylon Cable Strap with Head, 18.0" Long	50	20
DT-N-24-50	Nylon Cable Strap with Head, 24.0" Long	50	20
DT-N-27-25	Nylon Cable Strap with Head, 27.0" Long	25	20
DT-N-36-25	Nylon Cable Strap with Head, 36.0" Long	25	20
DT-N-48-25	Nylon Cable Strap with Head, 48.0" Long	25	12
DT-N-72-10	Nylon Cable Strap with Head, 72.0" Long	10	20

Strap in Reel and Box Containers



Delrin Strap			
Part Number	Description	Inner Pack	Outer Pack
DT-D-RL-50	Reel - Cable Strap - Delrin - Clamshell Case - 50'	1	10
DT-D-BX-50	Box - Cable Strap - Delrin - 50'	1	10
DT-D-BX-100	Box - Cable Strap - Delrin - 100'	1	10

Nylon Strap - recommended for indoor use only.

Part Number	Description	Inner Pack	Outer Pack
DT-N-RL-50	Reel - Cable Strap - Nylon - Clamshell Case - 50'	1	10
DT-N-BX-50	Box - Cable Strap - Nylon - 50'	1	10
DT-N-BX-100	Box - Cable Strap - Nylon - 100'	1	10
DT-N-BX-200	Box - Cable Strap - Nylon - 200'	1	10

Kits



Delrin Strap			
Part Number	Description	Inner Pack	Outer Pack
DT-D-KIT	(1) 50' Reel of Strap - Delrin, 25 Locking Heads	--	1
DT-D-PK-5	(5) 50' Reels of Strap - Delrin, 150 Locking Heads	5	10
DT-D-PK-10	(10) 50' Reels of Strap - Delrin, 300 Locking Heads	10	10

Nylon Strap - recommended for indoor use only.

Part Number	Description	Inner Pack	Outer Pack
DT-N-KIT	(1) 100' Box of Strap - Nylon, 25 Locking Heads	--	1



Diamond® Fastening Hardware Cable Support System

Locking Heads



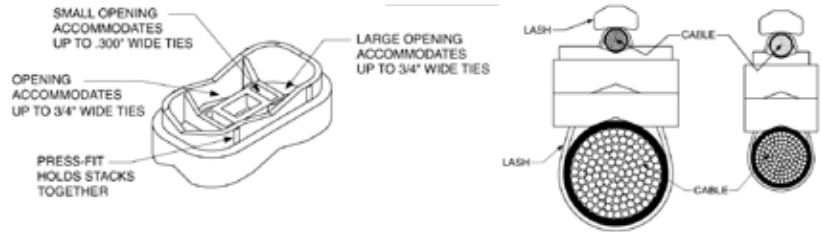
Part Number	Description	Inner Pack	Outer Pack
DT-D-LH-25	Molded Delrin® with Stainless Steel Locking Pawls. Use with 50' Reels of Strap	25	25

Modular, Stackable Cable Spacers



- One spacer for any cable size.
- Stackable for any desired spacing.
- Less inventory - only one catalog number.
- Made of weather-resistant polypropylene.
- 1/2" high.

Part Number	Description	Inner Pack	Outer Pack
DT-D-SP-100	Modular, Stackable Cable Spacers	100	100



Steel Base and Hanger



Part Number	Description	Inner Pack	Outer Pack
DT-B-50	Zinc-Plated Steel Base for Vertical Runs	50	500
DT-H-50	Zinc-Plated Steel Base for Horizontal Runs	50	500

Mounting Base for Masonry and Brick Surfaces - Nylon



- Quick, easy installation without adhesives or epoxies.
- Provides a quick, easy means of attaching cable and wires to masonry surfaces.
- Installs simply by tapping it into a drilled hole (3/8").
- Immediately ready to accept a Diamond-Tek® strap and wire bundle, no tedious surface preparation, no waiting for adhesives to set.
- Provides quick, dependable mechanical installation.
- Replaces a variety of anchors, clamps, screws, and adhesives.
- Designed for both indoor and outdoor applications - made of a special impact and ultraviolet resistant black nylon.

Part Number	Description	Hole Size in Masonry	Max Tie Width Accom.	Inner Pack	Outer Pack
DT-WM-O-C	Nylon Mounting Base for Masonry and Brick Surfaces	3/8"	.500	100	500



Diamond® Fastening Hardware

Standard Cable Ties



Faster:
Low insertion and pull through force.

Stronger:
High tensile strength achieved from one piece design.

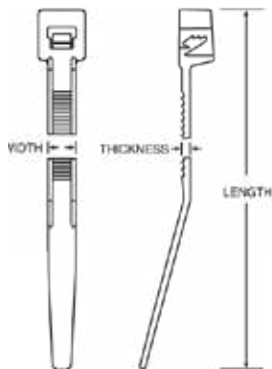
- Manufactured from filtered nylon reducing particle contamination.
- Advanced pawl and teeth design.

Easier:
Angled tail provides quicker initial insertion alignment.

- Tail finger grips allow easier handling and tightening.

Safer:
Rounded edges provides added safety and eliminates insulation damage.

Consistent:
Formulated molding processes.



Miniature - 18lb. - Natural, UV Black and Heat Stabilized

Per Bag	Part No.	Color and Material	Length inch/mm	Width inch/mm	Thickness inch/mm	Tie Tensile	Diameter inch/mm	FL-CSA Mil-Spec	Per Case
1,000	DT-04-18-9-M	Natural Nylon							
100	DT-04-18-9-C								
1,000	DT-04-18-0-M	UV Black Nylon	4.12/104.77	.095/2.413	.042/1.066	18 lb.	.875/22.225	FL-CSA MS3367-4*	10,000
100	DT-04-18-0-C								
1,000	DT-04-18-30-M	HeatStabilized Black Nylon							
100	DT-04-18-30-C								
1,000	DT-06-18-9-M	Natural Nylon							
100	DT-06-18-9-C								
1,000	DT-06-18-0-M	UV Black Nylon	6.18/156.97	.095/2.413	.042/1.066	18 lb.	1.50/38.10	FL-CSA	10,000
100	DT-06-18-0-C								
1,000	DT-06-18-30-M	HeatStabilized Black Nylon							
100	DT-06-18-30-C								
1,000	DT-08-18-9-M	Natural Nylon							
100	DT-08-18-9-C								
1,000	DT-08-18-0-M	UV Black Nylon	8.18/207.94	.095/2.413	.042/1.066	18 lb.	2.187/55.562	FL-CSA	10,000
100	DT-08-18-0-C								
1,000	DT-08-18-30-M	HeatStabilized Black Nylon							
100	DT-08-18-30-C								

Tolerance: .xx = +.005, .xxx = +.015, Fraction = +.132"
Heat stabilized black ties have a 2 week lead time and are not Mil-Spec approved. ROHS compliant. Sold in case quantities.

Intermediate - 40lb. - Natural, UV Black and Heat Stabilized

Per Bag	Part No.	Color and Material	Length inch/mm	Width inch/mm	Thickness inch/mm	Tie Tensile	Diameter inch/mm	FL-CSA Mil-Spec	Per Case
1,000	DT-05-40-9-M	Natural Nylon							
100	DT-05-40-9-C								
1,000	DT-05-40-0-M	UV Black Nylon	5.84/148.33	.140/3.556	.049/1.244	40 lb.	1.437/36.512	FL-CSA MS3367-5*	10,000
100	DT-05-40-0-C								
1,000	DT-05-40-30-M	HeatStabilized Black Nylon							
100	DT-05-40-30-C								
1,000	DT-08-40-9-M	Natural Nylon							
100	DT-08-40-9-C								
1,000	DT-08-40-0-M	UV Black Nylon	8.875/225.42	.140/3.556	.049/1.244	40 lb.	2.375/60.325	FL-CSA	10,000
100	DT-08-40-0-C								
1,000	DT-08-40-30-M	HeatStabilized Black Nylon							
100	DT-08-40-30-C								
500	DT-11-40-9-D	Natural Nylon							
100	DT-11-40-9-C								
500	DT-11-40-0-D	UV Black Nylon	10.96/278.58	.140/3.556	.054/1.371	40 lb.	3.375/85.72	FL-CSA	5,000
100	DT-11-40-0-C								
500	DT-11-40-30-D	HeatStabilized Black Nylon							
100	DT-11-40-30-C								
500	DT-14-40-9-D	Natural Nylon							
100	DT-14-40-9-C								
500	DT-14-40-0-D	UV Black Nylon	14.25/361.95	.140/3.556	.054/1.371	40 lb.	4.00/101.60	FL-CSA	5,000
100	DT-14-40-0-C								
500	DT-14-40-30-D	HeatStabilized Black Nylon							
100	DT-14-40-30-C								

Tolerance: .xx = +.005, .xxx = +.015, Fraction = +.132"
Heat stabilized black ties have a 2 week lead time and are not Mil-Spec approved. ROHS compliant. Sold in case quantities.

Diamond® Fastening Hardware

Standard Cable Ties



Standard - 50lb. - Natural, UV Black and Heat Stabilized

Per Bag	Part No.	Color and Material	Length inch/mm	Width inch/mm	Thickness inch/mm	Tie Tensile	Diameter inch/mm	FLU-CSA Mil-Spec	Per Case
1,000	DT-07-50-9-M	Natural Nylon							
100	DT-07-50-9-C	Natural Nylon							
1,000	DT-07-50-0-M	UV Black Nylon	7.56/192.07	.180/4.572	.052/1.320	50 lb.	1.875/47.625	FLU-CSA MS3367-1*	10,000
100	DT-07-50-0-C	UV Black Nylon							
1,000	DT-07-50-30-M	HeatStabilized Black Nylon							
100	DT-07-50-30-C	HeatStabilized Black Nylon							
500	DT-11-50-9-D	Natural Nylon							
100	DT-11-50-9-C	Natural Nylon							
500	DT-11-50-0-D	UV Black Nylon	11.25/285.75	.180/4.572	.052/1.320	50 lb.	3.062/77.787	FLU-CSA MS3367-7*	5,000
100	DT-11-50-0-C	UV Black Nylon							
500	DT-11-50-30-D	HeatStabilized Black Nylon							
100	DT-11-50-30-C	HeatStabilized Black Nylon							
500	DT-14-50-9-D	Natural Nylon							
100	DT-14-50-9-C	Natural Nylon							
500	DT-14-50-0-D	UV Black Nylon	14.25/361.95	.180/4.572	.052/1.320	50 lb.	4.00/101.60	FLU-CSA MS3367-2*	5,000
100	DT-14-50-0-C	UV Black Nylon							
500	DT-14-50-30-D	HeatStabilized Black Nylon							
100	DT-14-50-30-C	HeatStabilized Black Nylon							
500	DT-17-50-9-C	Natural Nylon	17.09/434.16	.187/4.749	.060/1.524	50 lb.	4.75/120.65	FLU	5,000
100	DT-17-50-0-C	UVBlackNylon							
500	DT-21-50-9-C	Natural Nylon	21.68/550.67	.187/4.749	.060/1.524	50 lb.	6.50/166.00		1,000
100	DT-21-50-0-C	UVBlackNylon							

Tolerance: .xx = +.005, .xxx = +.015, Fraction = +.132"

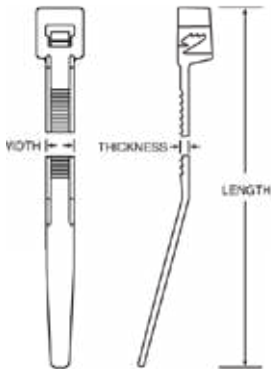
Heat stabilized black ties have a 2 week lead time and are not Mil-Spec approved. ROHS compliant. Sold in case quantities.

Heavy Duty - 120lb. - Natural, UV Black and Heat Stabilized

Per Bag	Part No.	Color and Material	Length inch/mm	Width inch/mm	Thickness inch/mm	Tie Tensile	Diameter inch/mm	FLU-CSA Mil-Spec	Per Case
100	DT-08-120-9-C	Natural Nylon							
100	DT-08-120-0-C	UVBlackNylon	8.70/220.98	.300/7.620	.076/1.930	120 lb.	2.06/52.38	FLU-CSA	3,000
100	DT-08-120-30-C	HeatStabilized							
100	DT-14-120-9-C	Natural Nylon							
50	DT-14-120-9-L	Natural Nylon							
100	DT-14-120-0-C	UVBlackNylon	15.09/383.36	.300/7.620	.076/1.930	120 lb.	4.06/103.18	FLU-CSA MS3367-3*	2,000
50	DT-14-120-0-L	UVBlackNylon							
100	DT-14-120-30-C	HeatStabilized Black Nylon							
50	DT-14-120-30-L	HeatStabilized Black Nylon							
50	DT-18-120-9-L	Natural Nylon	18.43/468.29	.302/7.670	.083/2.108	120 lb.	5.00/127.00	FLU-CSA	1,000
50	DT-18-120-0-L	UVBlackNylon							
50	DT-24-120-9-L	Natural Nylon	24.43/620.69	.302/7.670	.083/2.108	120 lb.	7.00/177.80	FLU-CSA	500
50	DT-24-120-0-L	UVBlackNylon							
50	DT-30-120-9-L	Natural Nylon	30.75/781.05	.302/7.670	.083/2.108	120 lb.	9.00/228.60	FLU-CSA MS3367-6*	500
50	DT-30-120-0-L	UVBlackNylon							
50	DT-36-120-9-L	Natural Nylon	37.00/939.80	.302/7.670	.083/2.108	120 lb.	11.00/279.40	FLU-CSA	500
50	DT-36-120-0-L	UVBlackNylon							

Tolerance: .xx = +.005, .xxx = +.015, Fraction = +.132"

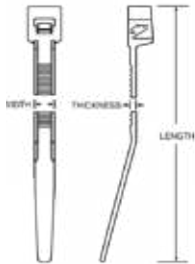
Heat stabilized black ties have a 2 week lead time and are not Mil-Spec approved. ROHS compliant. Sold in case quantities.





Diamond® Fastening Hardware

Standard Cable Ties



Extra Heavy Duty - 175lb. - Natural, UV Black and Gray

Per Bag	Part No.	Color and Material	Length inch/mm	Width inch/mm	Thickness inch/mm	Tie Tensile	Diameter inch/mm	UL-CSA Mil-Spec	Per Case
50	DT-24-175-9-L	Natural Nylon	25.25/641.35	.340/8.636	.090/2.286	175 lb.	7.18/182.56	UL-CSA UL 181B-C MS3367-10	500
50	DT-24-175-0-L	UVBlackNylon							
50	DT-36-175-9-L	Natural Nylon	37.25/946.15	.340/8.636	.090/2.286	175 lb.	11.00/279.40	UL-CSA UL 181B-C MS3367-13	500
50	DT-36-175-0-L	UVBlackNylon							
50	DT-48-175-9-L	Natural Nylon	48.50/1231.9	.340/8.636	.090/2.286	175 lb.	14.50/368.30	UL-CSA UL 181B-C MS3367-16	500
50	DT-48-175-8-L	Gray Nylon							
50	DT-48-175-0-L	UVBlackNylon							

Tolerance: .xx = +.005, .xxx = +.015, Fraction = +1.32"
ROHS compliant. Sold in case quantities.

250lb. - Natural and UV Black

Per Bag	Part No.	Color and Material	Length inch/mm	Width inch/mm	Thickness inch/mm	Tie Tensile	Diameter inch/mm	UL-CSA Mil-Spec	Per Case
100	DT-22-250-9-C	Natural Nylon	21.93/557.19	.494/12.54	.086/2.184	250 lb.	6.00/152.40	UL	500
100	DT-22-250-0-C	UVBlackNylon							

Tolerance: .xx = +.005, .xxx = +.015, Fraction = +1.32"
ROHS compliant. Sold in case quantities.

Diamond® Fastening Hardware Specialty Cable Ties



High quality color concentrates produce color consistency time after time.

Ideal Applications:
Color coding, identification, packaging continuity and bundling aesthetics.

Color Codes

BR = Brown
RE = Red
OR = Orange
YE = Yellow
GR = Green
BL = Blue
PU = Purple
GY = Gray

Color and Fluorescent - 18lb., 40lb., 50lb. and 120lb.

Per Bag	Part No.	Color	Length inch/mm	Width inch/mm	Thickness inch/mm	Tie Tensile	Diameter inch/mm	RU-CSA Mil-Spec	Per Case
100	DT-04-18-##-C	Standard	4.12/104.77	.095/2.413	.042/1.066	18 lb.	.875/22.225	RU-CSA MS3367-4*	10,000
100	DT-04-18-##FL-C	Fluorescent							
100	DT-05-40-##-C	Standard	5.84/148.33	.140/3.556	.049/1.244	40 lb.	1.437/36.512	RU-CSA MS3367-5*	5,000
100	DT-05-40-##FL-C	Fluorescent							
100	DT-08-40-##-C	Standard	8.875/225.42	.140/3.556	.049/1.244	40 lb.	2.375/60.325	RU-CSA	5,000
100	DT-08-40-##FL-C	Fluorescent							
100	DT-07-50-##-C	Standard	7.56/192.07	.180/4.572	.052/1.320	50 lb.	1.875/47.625	RU-CSA MS3367-1*	5,000
100	DT-07-50-##FL-C	Fluorescent							
100	DT-11-50-##-C	Standard	11.25/285.75	.180/4.572	.052/1.320	50 lb.	3.062/77.787	RU-CSA MS3367-7*	5,000
100	DT-11-50-##FL-C	Fluorescent							
100	DT-14-50-##-C	Standard	14.56/369.87	.180/4.572	.052/1.320	50 lb.	4.125/104.775	RU-CSA MS3367-2*	5,000
100	DT-14-50-##FL-C	Fluorescent							
100	DT-14-120-##-C	Standard	15.09/383.36	.300/7.620	.076/1.930	120 lb.	4.06/103.18	RU-CSA MS3367-3*	2,000
100	DT-14-120-##FL-C	Fluorescent							

= Color Code, FL = Fluorescent
Tolerance: .xx = +.005, .xxx = +.015, Fraction = +.132"
Bulk packaging and specialty colors available with minimum buy and 4 week lead time.
*Mil-Spec does not apply to fluorescent colors.
ROHS compliant. Sold in case quantities.



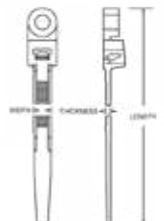
One piece design allows for quicker mechanical mounting and reduced cost.

Secures and positions wire bundles, cables, hoses, etc. to panels or other surfaces with one mechanical fastener.

Mounting Hole - 30lb., 50lb., and 120lb. - Natural and UV Black

Per Bag	Part No.	Color and Material	Length inch/mm	Width inch/mm	Thickness inch/mm	Tie Tensile	Screw Size	Diameter inch/mm	RU-CSA Mil-Spec	Per Case
100	DT-05-30-MH-9-C	Natural Nylon	5.8/149.2	.138/3.505	.045/1.143	30 lb.	#8	1.25/31.75	RU	10,000
100	DT-05-30-MH-0-C	UV Black Nylon								
1,000	DT-07-50-MH-9-M	Natural Nylon	8.0/203.2	.177/4.495	.052/1.320	50 lb.	#10	1.75/44.45	RU CSA	5,000
1,000	DT-07-50-MH-0-M	UV Black Nylon								
100	DT-07-50-MH-0-C	UV Black Nylon	11.5/292.1	.177/4.495	.053/1.346	50 lb.	#10	3.00/76.20	RU CSA	5,000
100	DT-11-50-MH-9-C	Natural Nylon								
100	DT-11-50-MH-0-C	UV Black Nylon	14.5/368.3	.177/4.495	.053/1.346	50 lb.	#10	4.00/1.1.60	RU CSA	5,000
100	DT-14-50-MH-9-C	Natural Nylon								
100	DT-14-50-MH-0-C	UV Black Nylon	15.7/398.7	.298/7.569	.075/1.905	120 lb.	1.4"	4.06/103.12	RU CSA	2,000
100	DT-14-120-MH-9-C	Natural Nylon								
100	DT-14-120-MH-0-C	UV Black Nylon								

Tolerance: .xxx = +.005, .xx = +.015, Fraction = +.132"
ROHS compliant. Sold in case quantities.





Diamond® Fastening Hardware

Specialty Cable Ties



Reduced head height compared to standard head designs.

Increases safety, eliminates snags, cuts, and abrasions to cables, hoses, products, and users.

No sharp tail cutoffs remaining tail slips back into head of tie leaving no exposed sharp edges.

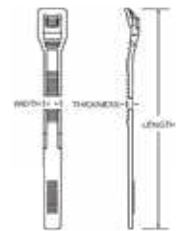
Flexible head design allows the head to easily flex around the total circumference of tubing or bundled wires.

Tamper proof pawl located under the tie's head makes it inaccessible when bundled.

Cobra , Low Profile - 50lb. and 120lb. - Natural and UV Black

Per Bag	Part No.	Color and Material	Length inch/mm	Width inch/mm	Thickness inch/mm	Tie Tensile	Diameter inch/mm	RU-CSA Mil-Spec	Per Case
1,000	DT-07-50-LP-9-M	Natural Nylon	7.5/190.5	.177/4.495	.053/1.346	50 lb.	1.75/44.45	RU-CSA MS3367-23	10,000
100	DT-07-50-LP-9-C								
1,000	DT-07-50-LP-0-M	UVBlackNylon	7.5/190.5	.177/4.495	.053/1.346	50 lb.	1.75/44.45	RU-CSA MS3367-23	10,000
100	DT-07-50-LP-0-C								
100	DT-11-50-LP-9-C	Natural Nylon	11.3/288.2	.177/4.495	.053/1.346	50 lb.	3.06/77.78	RU-CSA MS3367-29	5,000
100	DT-11-50-LP-0-C	UVBlackNylon	11.3/288.2	.177/4.495	.053/1.346	50 lb.	3.06/77.78	RU-CSA MS3367-29	5,000
100	DT-14-50-LP-9-C	Natural Nylon	14.6/372.1	.177/4.495	.053/1.346	50 lb.	4.06/103.18	RU-CSA MS3367-24	5,000
100	DT-14-50-LP-0-C	UVBlackNylon	14.6/372.1	.177/4.495	.053/1.346	50 lb.	4.06/103.18	RU-CSA MS3367-24	5,000
100	DT-14-120-LP-9-C	Natural Nylon	16.0/406.4	.300/7.620	.075/1.905	120 lb.	4.06/130.18	RU-CSA MS3367-25	2,000
100	DT-14-120-LP-0-C	UVBlackNylon	16.0/406.4	.300/7.620	.075/1.905	120 lb.	4.06/130.18	RU-CSA MS3367-25	2,000
50	DT-18-120-LP-9-L	Natural Nylon	18.4/468.2	.302/7.670	.083/2.108	120 lb.	5.00/127.00	RU-CSA	1,000
50	DT-18-120-LP-0-L	UVBlackNylon	18.4/468.2	.302/7.670	.083/2.108	120 lb.	5.00/127.00	RU-CSA	1,000
50	DT-24-120-LP-9-L	Natural Nylon	24.4/620.6	.302/7.670	.083/2.108	120 lb.	7.00/177.80	RU-CSA	500
50	DT-24-120-LP-0-L	UVBlackNylon	24.4/620.6	.302/7.670	.083/2.108	120 lb.	7.00/177.80	RU-CSA	500
50	DT-30-120-LP-9-L	Natural Nylon	30.6/779.4	.302/7.670	.083/2.108	120 lb.	9.00/228.60	RU-CSA MS3367-28	500
50	DT-30-120-LP-0-L	UVBlackNylon	30.6/779.4	.302/7.670	.083/2.108	120 lb.	9.00/228.60	RU-CSA MS3367-28	500
50	DT-36-120-LP-9-L	Natural Nylon	37.0/939.8	.302/7.670	.083/2.108	120 lb.	11.11/279.40	RU-CSA	500
50	DT-36-120-LP-0-L	UVBlackNylon	37.0/939.8	.302/7.670	.083/2.108	120 lb.	11.11/279.40	RU-CSA	500

Tolerance: .xxx = +/- .005, .xx = +/- .015, Fraction = +/- .132"
ROHS compliant. Sold in case quantities.



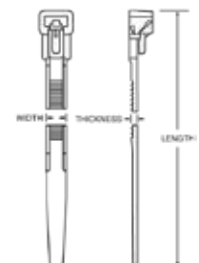
Temporary or permanent bundling allows for quick addition or removal of wires or items.

Strap finger release latch allows easy access but reduces snags compared to top latch style.

Releasable - 50lb. - Natural and Black

Per Bag	Part No.	Color and Material	Length inch/mm	Width inch/mm	Thickness inch/mm	Tie Tensile	Diameter inch/mm	RU-CSA Mil-Spec	Per Case
100	DT-05-50-RL-9-C	Natural Nylon	5.905/150.0	.299/7.60	.050/1.270	50 lb.	1.378/35.0	RU	2,000
100	DT-05-50-RL-0-C	Black Nylon							
100	DT-08-50-RL-9-C	Natural Nylon	7.874/200.0	.299/7.60	.053/1.346	50 lb.	1.969/50.0	RU	5,000
100	DT-08-50-RL-0-C	Black Nylon							
100	DT-12-50-RL-9-C	Natural Nylon	11.811/300.0	.299/7.60	.053/1.346	50 lb.	3.15/80.0	RU	3,000
100	DT-12-50-RL-0-C	Black Nylon							
100	DT-14-50-RL-9-C	Natural Nylon	14.567/370.0	.189/4.80	.065/1.65	50 lb.	4.0/102.0	RU	5,000
100	DT-14-50-RL-0-C	Black Nylon							

Tolerance: = +/- .003"/.76mm
AL-14-50-RL finger release top latch style
ROHS compliant. Sold in case quantities.



Diamond® Fastening Hardware

Stainless Steel Cable Ties



Applications:
 Communications, Power Utilities,
 Automotive, Transportation,
 Aerospace, Shipping, Construction,
 Industrial, Petroleum, Marine,
 Agriculture, Nuclear, Fire Protection,
 Signals, and Signs.

316 Stainless Steel:
 Provides high resistance to heat,
 salts, and acids. Perfect for
 indoor, outdoor and underground
 applications.

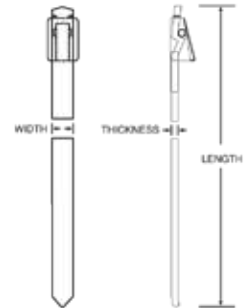
Polyester Coating:
 Enhances the corrosive properties
 and acts as a barrier to avoid
 corrosion between dissimilar metals.

Operating Temps:
 Uncoated 1,000° F / 500° C
 Coated 302° F / 150° C

316 Uncoated Stainless Steel - 100lb. and 250lb.

Per Bag	Part No.	Material	Length inch/mm	Width inch/mm	Metal Thickness	Tie Tensile	Diameter inch/mm	UL-CSA Mil-Spec	Per Case
100	DT-06-100-SS-C	StainlessSteel	5.90/150.0	.181/4.6	.009"/.25mm	100 lb.	1.57/40.0	UL	1,000
100	DT-08-100-SS-C	StainlessSteel	7.87/200.0	.181/4.6	.009"/.25mm	100 lb.	1.96/50.0	UL	1,000
100	DT-14-100-SS-C	StainlessSteel	14.17/360.0	.181/4.6	.009"/.25mm	100 lb.	3.94/100.0	UL	1,000
100	DT-20-100-SS-C	StainlessSteel	20.47/520.0	.181/4.6	.009"/.25mm	100 lb.	5.90/150.0	UL	1,000
100	DT-27-100-SS-C	StainlessSteel	26.77/680.0	.181/4.6	.009"/.25mm	100 lb.	7.87/200.0	UL	1,000
100	DT-06-250-SS-C	StainlessSteel	5.90/150.0	.311/7.9	.009"/.25mm	250 lb.	1.57/40.0	UL	1,000
100	DT-08-250-SS-C	StainlessSteel	7.87/200.0	.311/7.9	.009"/.25mm	250 lb.	1.97/50.0	UL	1,000
100	DT-14-250-SS-C	StainlessSteel	14.17/360.0	.311/7.9	.009"/.25mm	250 lb.	3.94/100.0	UL	1,000
100	DT-20-250-SS-C	StainlessSteel	20.47/520.0	.311/7.9	.009"/.25mm	250 lb.	5.90/150.0	UL	1,000
100	DT-27-250-SS-C	StainlessSteel	26.77/680.0	.311/7.9	.009"/.25mm	250 lb.	7.87/200.0	UL	1,000

Tolerance: = +.003"/.76mm
 ROHS compliant. Sold in bag quantities.



316 Coated Stainless Steel - 100lb. and 250lb.

Per Bag	Part No.	Material	Length inch/mm	Width inch/mm	Metal Thickness	Tie Tensile	Diameter inch/mm	UL-CSA Mil-Spec	Per Case
100	DT-06-100-SS-CT-C	StainlessSteel	5.90/150.0	.181/4.6	.009"/.25mm	100 lb.	1.57/40.0	UL	1,000
100	DT-08-100-SS-CT-C	StainlessSteel	7.87/200.0	.181/4.6	.009"/.25mm	100 lb.	1.96/50.0	UL	1,000
100	DT-14-100-SS-CT-C	StainlessSteel	14.17/360.0	.181/4.6	.009"/.25mm	100 lb.	3.94/100.0	UL	1,000
100	DT-20-100-SS-CT-C	StainlessSteel	20.47/520.0	.181/4.6	.009"/.25mm	100 lb.	5.90/150.0	UL	1,000
100	DT-27-100-SS-CT-C	StainlessSteel	26.77/680.0	.181/4.6	.009"/.25mm	100 lb.	7.87/200.0	UL	1,000
100	DT-06-250-SS-CT-C	StainlessSteel	5.90/150.0	.311/7.9	.009"/.25mm	250 lb.	1.57/40.0	UL	1,000
100	DT-08-250-SS-CT-C	StainlessSteel	7.87/200.0	.311/7.9	.009"/.25mm	250 lb.	1.97/50.0	UL	1,000
100	DT-14-250-SS-CT-C	StainlessSteel	14.17/360.0	.311/7.9	.009"/.25mm	250 lb.	3.94/100.0	UL	1,000
100	DT-20-250-SS-CT-C	StainlessSteel	20.47/520.0	.311/7.9	.009"/.25mm	250 lb.	5.90/150.0	UL	1,000
100	DT-27-250-SS-CT-C	StainlessSteel	26.77/680.0	.311/7.9	.009"/.25mm	250 lb.	7.87/200.0	UL	1,000

Thickness including Coating .016"/.40mm
 Tolerance: = +.003"/.76mm
 ROHS compliant. Sold in bag quantities.





Diamond® Fastening Hardware

Stainless Steel Cable Ties



316 Uncoated Ladder Style Stainless Steel - 100lb. and 250lb.

Per Bag	Part No.	Material	Length inch/mm	Width inch/mm	Metal Thickness	Tie Tensile	Diameter inch/mm	UL-CSA Mil-Spec	Per Case
100	DT-06-100-SS-LD-C	StainlessSteel	5.90/150.0	.275/7.0	.011"/.30mm	100 lb.	1.96/50.0	UL	1,000
100	DT-08-100-SS-LD-C	StainlessSteel	7.87/200.0	.275/7.0	.011"/.30mm	100 lb.	2.36/60.0	UL	1,000
100	DT-14-100-SS-LD-C	StainlessSteel	14.17/360.0	.275/7.0	.011"/.30mm	100 lb.	4.13/105.0	UL	1,000
100	DT-24-100-SS-LD-C	StainlessSteel	23.62/600.0	.275/7.0	.011"/.30mm	100 lb.	5.70/145.0	UL	1,000
100	DT-30-100-SS-LD-C	StainlessSteel	29.52/750.0	.275/7.0	.011"/.30mm	100 lb.	7.87/200.0	UL	1,000
100	DT-06-250-SS-LD-C	StainlessSteel	5.90/150.0	.472/12.0	.013"/.35mm	250 lb.	1.96/50.0	UL	1,000
100	DT-08-250-SS-LD-C	StainlessSteel	7.87/200.0	.472/12.0	.013"/.35mm	250 lb.	2.36/60.0	UL	1,000
100	DT-14-250-SS-LD-C	StainlessSteel	14.17/360.0	.472/12.0	.013"/.35mm	250 lb.	4.13/105.0	UL	1,000
100	DT-24-250-SS-LD-C	StainlessSteel	23.62/600.0	.472/12.0	.013"/.35mm	250 lb.	5.70/145.0	UL	1,000
100	DT-30-250-SS-LD-C	StainlessSteel	29.52/750.0	.472/12.0	.013"/.35mm	250 lb.	7.87/200.0	UL	1,000

Tolerance: = +-.003"/.76mm
ROHS compliant. Sold in bag quantities.



316 Coated Ladder Style Stainless Steel - 100lb. and 250lb.

Per Bag	Part No.	Material	Length inch/mm	Width inch/mm	Metal Thickness	Tie Tensile	Diameter inch/mm	UL-CSA Mil-Spec	Per Case
100	DT-06-100-SS-LD-CT-C	StainlessSteel	5.90/150.0	.275/7.0	.012"/.30mm	100 lb.	1.96/50.0	UL	1,000
100	DT-08-100-SS-LD-CT-C	StainlessSteel	7.87/200.0	.275/7.0	.012"/.30mm	100 lb.	2.36/60.0	UL	1,000
100	DT-14-100-SS-LD-CT-C	StainlessSteel	14.17/360.0	.275/7.0	.012"/.30mm	100 lb.	4.13/105.0	UL	1,000
100	DT-24-100-SS-LD-CT-C	StainlessSteel	23.62/600.0	.275/7.0	.012"/.30mm	100 lb.	5.70/145.0	UL	1,000
100	DT-30-100-SS-LD-CT-C	StainlessSteel	29.52/750.0	.275/7.0	.012"/.30mm	100 lb.	7.87/200.0	UL	1,000
100	DT-06-250-SS-LD-CT-C	StainlessSteel	5.90/150.0	.472/12.0	.013"/.35mm	250 lb.	1.96/50.0	UL	1,000
100	DT-08-250-SS-LD-CT-C	StainlessSteel	7.87/200.0	.472/12.0	.013"/.35mm	250 lb.	2.36/60.0	UL	1,000
100	DT-14-250-SS-LD-CT-C	StainlessSteel	14.17/360.0	.472/12.0	.013"/.35mm	250 lb.	4.13/105.0	UL	1,000
100	DT-24-250-SS-LD-CT-C	StainlessSteel	23.62/600.0	.472/12.0	.013"/.35mm	250 lb.	5.70/145.0	UL	1,000
100	DT-30-250-SS-LD-CT-C	StainlessSteel	29.52/750.0	.472/12.0	.013"/.35mm	250 lb.	7.87/200.0	UL	1,000

Thickness including Coating .018"/.45mm
Tolerance: = +-.003"/.76mm
ROHS compliant. Sold in bag quantities.



316 Uncoated Spring Style Stainless Steel - 100lb. and 250lb.

Per Bag	Part No.	Material	Length inch/mm	Width inch/mm	Metal Thickness	Tie Tensile	Diameter inch/mm	UL-CSA Mil-Spec	Per Case
100	DT-08-100-SS-SP-C	StainlessSteel	7.87/200.0	.181/4.6	.009"/.25mm	100 lb.	1.96/50.0	UL	1,000
100	DT-14-100-SS-SP-C	StainlessSteel	14.17/360.0	.181/4.6	.009"/.25mm	100 lb.	3.94/100.0	UL	1,000
100	DT-20-100-SS-SP-C	StainlessSteel	20.47/520.0	.181/4.6	.009"/.25mm	100 lb.	5.90/150.0	UL	1,000
100	DT-08-250-SS-SP-C	StainlessSteel	7.87/200.0	.311/7.9	.009"/.25mm	250 lb.	1.96/50.0	UL	1,000
100	DT-14-250-SS-SP-C	StainlessSteel	14.17/360.0	.311/7.9	.009"/.25mm	250 lb.	3.93/100.0	UL	1,000
100	DT-20-250-SS-SP-C	StainlessSteel	20.47/520.0	.311/7.9	.009"/.25mm	250 lb.	5.90/150.0	UL	1,000

Tolerance: = +-.003"/.76mm
ROHS compliant. Sold in bag quantities.



Apply where tension on solid objects must be maintained.

Diamond® Fastening Hardware

Stainless Steel Cable Ties, Identification Cable Ties



Apply where tension on solid objects must be maintained.

316 Coated Spring Style Stainless Steel - 100lb. and 250lb.

Per Bag	Part No.	Material	Length inch/mm	Width inch/mm	Metal Thickness	Tie Tensile	Diameter inch/mm	UL-CSA Mil-Spec	Per Case
100	DT-08-100-SS-SP-CT-C	StainlessSteel	7.87/200.0	.181/4.6	.009"/.25mm	100 lb.	1.96/50.0	UL	1,000
100	DT-14-100-SS-SP-CT-C	StainlessSteel	14.17/360.0	.181/4.6	.009"/.25mm	100 lb.	3.93/100.0	UL	1,000
100	DT-20-100-SS-SP-CT-C	StainlessSteel	20.47/520.0	.181/4.6	.009"/.25mm	100 lb.	5.90/150.0	UL	1,000
100	DT-08-250-SS-SP-CT-C	StainlessSteel	7.87/200.0	.311/7.9	.009"/.25mm	250 lb.	1.96/50.0	UL	1,000
100	DT-14-250-SS-SP-CT-C	StainlessSteel	14.17/360.0	.311/7.9	.009"/.25mm	250 lb.	3.93/100.0	UL	1,000
100	DT-20-250-SS-SP-CT-C	StainlessSteel	20.47/520.0	.311/7.9	.009"/.25mm	250 lb.	5.90/150.0	UL	1,000

Thickness including Coating .013"/.33mm
Tolerance: = +/- .003"/.76mm
ROHS compliant. Sold in bag quantities.



Identification and Flag - 18lb. and 50lb. - Natural and Black

Per Bag	Part No.	Color & Material	Length inch/mm	Width inch/mm	Thickness inch/mm	Tie Tensile	Pad Size	Diameter inch/mm	UL-CSA Mil-Spec	Per Case
100	DT-04-18-ID-9-C	NaturalNylon	4.0/101.6	.100/2.54	.044/1.117	18 lb.	.312"x1"	.984/25.0	RU	5,000
100	DT-04-18-FL-9-C	NaturalNylon	4.3/110.0	.100/2.54	.044/1.117	18 lb.	.312"x1"	.984/25.0	RU	5,000
100	DT-07-50-ID-9-C	NaturalNylon	7.8/200.0	.181/4.59	.055/1.397	50 lb.	.5"x1.1"	1.969/50.0	RU	5,000
100	DT-07-50-ID-0-C	Black Nylon								
100	DT-14-50-ID-9-C	NaturalNylon	14.17/360.0	.187/4.749	.055/1.397	50 lb.	.5"x1.1"	2.953/75.0		5,000

Tolerance: = +/- .003"/.76mm
ROHS compliant. Sold in case quantities.

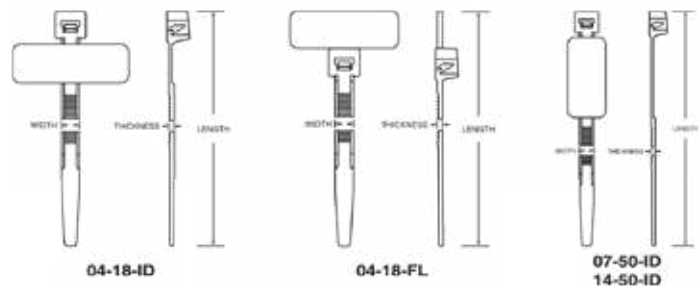
One easy step to identify and bundle items.

Flag Ties extend from bundle to be easily seen when identification is critical.

Identification Ties reduce snags while providing support to the bundle.



Identification Plates
See Cable Tie Accessories





Diamond® Fastening Hardware

Beaded Cable Ties, Push Mount Cable Ties



Beaded - Natural

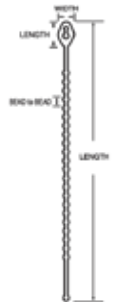
Per Bag	Part No.	Color and Material	Length inch/mm	Head Width inch/mm	Head Length inch/mm	Bead Diameter inch/mm	Bead to Bead inch/mm	Maximum Bundle inch/mm	Per Case
100	DT-04-BD-9-C	Natural Nylon	4.0/101.6	.20/5.08	.35/8.89	.09/2.28	.13/3.30	1.0/25.4	10,000
100	DT-06-BD-9-C	Natural Nylon	6.0/152.4	.29/7.36	.57/14.47	.11/2.79	.17/4.31	1.5/38.1	10,000
100	DT-08-BD-9-C	Natural Nylon	8.93/226.8	.38/9.65	.85/21.59	.15/3.81	.29/7.36	2.5/63.5	5,000

Tolerance: = $\pm .003$ "/.76mm
ROHS compliant. Sold in case quantities.

Temporary bundling allows for quick addition or removal of wires or items.

Rounded design eliminates snags, cuts, and abrasions.

No Installation Tools required. Tail beads securely snap into head.



Push Mount - Wing and Non-Wing - 40lb. and 50lb. - Natural and Black

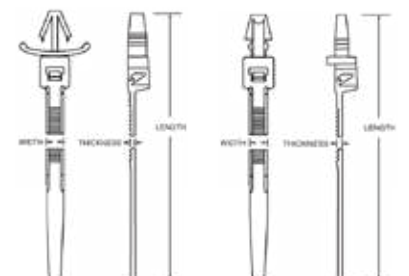
Per Bag	Part No.	Color and Material	Length inch/mm	Width inch/mm	Thickness inch/mm	Tie Tensile	Diameter inch/mm	Hole Size inch/mm	Panel inch/mm	Per Case
1,000	DT-06-40-PMW-9-M	Natural Nylon								
100	DT-06-40-PMW-9-C									
1,000	DT-06-40-PMW-0-M	UV Black Nylon								
100	DT-06-40-PMW-0-C									
1,000	DT-06-40-PMW-32-M	Heat Stabilized Natural Nylon	6.2/158.2	.140/3.55	.049/1.244	40 lb.	1.43/36.49	.181/4.59	.09/2.36	10,000
100	DT-06-40-PMW-32-C									
1,000	DT-06-40-PMW-30-M	Heat Stabilized Black Nylon								
100	DT-06-40-PMW-30-C									
100	DT-07-50-PM-9-C	Natural Nylon	7.9/203.0	.189/4.80	.062/1.574	50 lb.	1.969/50.00	.252/6.40	.14/3.55	5,000
100	DT-07-50-PM-0-C	Black Nylon								
100	DT-07-50-PMW-9-C	Natural Nylon	7.9/203.0	.189/4.80	.062/1.574	50 lb.	1.969/50.00	.236/6.00	.11/2.80	5,000
100	DT-07-50-PMW-0-C	Black Nylon								

6" UL Recognized and CSA Approved
Tolerance: = $\pm .003$ "/.76mm
ROHS compliant. Sold in case quantities.

Quick mounting one piece design securely attaches bundle to panel.

Extra stability is created from the tensioning wings.

Thickness variations in materials is easily overcome with tension wings.



Diamond® Fastening Hardware

Air Handling Cable Ties



Air Handling

Per Bag	Part No.	Color	Length inch/mm	Width inch/mm	Thickness inch/mm	Tie Tensile	Diameter inch/mm	UL-CSA	Per Case
100	DT-07-50-P-C	Burgundy	7.56/192.07	.180/4.572	.052/1.320	50 lb.	1.875/47.625	UL-CSA	5,000
100	DT-11-50-P-C	Burgundy	11.25/285.75	.180/4.572	.052/1.320	50 lb.	3.062/77.787	UL-CSA	5,000
100	DT-14-50-P-C	Burgundy	14.56/369.87	.180/4.572	.052/1.320	50 lb.	4.125/104.775	UL-CSA	5,000

UL Listed, Suitable for use in Air Handling Spaces (Plenums) in accordance with the Section 300.22 (C) and (D) of the National Electrical Code and Rules 12-010 (3), (4), and (5) and 12-020 of the Canadian Electrical Code, Part 1.

Tolerance: .xxx = +.005, .xx = +.015, Fraction = +1/32"

MH = Mounting Hole head style, #10 Screw Size.

LP = Low profile head style.

Bulk packaging available with minimum buy and 2 week lead time.

ROHS compliant. Sold in case quantities.



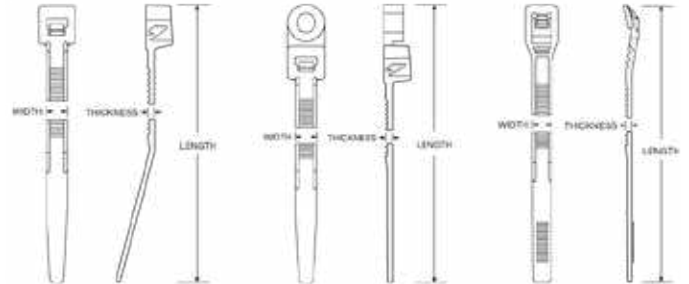
Ideal Applications: Air Handling spaces, above drop ceilings and below raised flooring.

Meets UL 1565 low smoke generation, low heat release and mechanical strength test.

UL Listed. Suitable for use in Air Handling Spaces (Plenums) in accordance with the Section 300.22 (C) and (D) of the National Electrical Code and Rules 12-010 (3), (4), (5) and 12-020 of the Canadian Electrical Code, Part 1.

Mounting hole style secures and positions wire bundles, cables, etc. to surfaces with one mechanical fastener.

Low profile style reduced head height increases safety, eliminates snags, cuts, and abrasions to cables, surrounding products and users.



Definition of "Air Handling Spaces"

4.2 Air Handling Spaces - Ducts or plenums used for environmental air and other spaces used for environmental air, such as above hung ceilings or below raised floors. This does not include plenums used for the removal of dust, loose stock, or vapor, or for ventilation of commercial-type cooking equipment.

Note: Information Source: UL 1565 CSA C22.2 4th Edition

*UL is not affiliated with ACT Fastening Solutions, a division of Advanced Cable Ties, Inc. and does not endorse ACT Fastening Solutions



Diamond® Fastening Hardware

Cold Weather Cable Ties, Cable Tie Mounting Pads



Enhanced flexibility and strength compared to standard nylon ties.
 Severe cold temperature applications tested performance at -20 C / -4 F.
 Material rated at -40 C / -40 F per ISO180.

Cold Weather

Per Bag	Part No.	Color	Length inch/mm	Width inch/mm	Thickness inch/mm	Tie Tensile	Diameter inch/mm	Per Case
100	DT-07-50-CW-0-C	Black	7.56/192.07	.180/4.572	.052/1.320	50 lb.	1.875/47.625	10,000
100	DT-11-50-CW-0-C	Black	11.25/285.75	.180/4.572	.052/1.320	50 lb.	3.062/77.787	5,000
100	DT-14-50-CW-0-C	Black	14.25/361.95	.180/4.572	.052/1.320	50 lb.	4.00/101.60	5,000
100	DT-14-120-CW-0-C	Black	15.09/383.36	.300/7.620	.076/1.930	120 lb.	4.06/103.18	2,000

Tolerance: .xxx = +/- .005, .xx = +/- .015, Fraction = +1/32"
 ROHS compliant. Sold in case quantities.

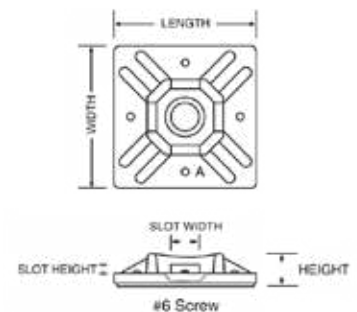
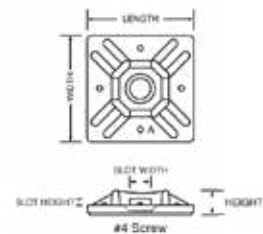


Saves Cable Tie cinching time. Patented stay-n-place tab keeps cable tie head from sliding down behind bundle during vertical applications and maintains placement during horizontal applications.
 Easy insertion of Cable Ties. Patented lead-n-feature funnels cable ties into position and countersunk screw hole allows cable tie to easily pass over screw head.
 Saves positioning time with the 4 sided entry and center screw hole.

Mounting Pads, Rubber Adhesive, Natural and Black

Per Bag	Part No.	Color and Material	Length inch/mm	Height inch/mm	Slot Height inch/mm	Slot Width inch/mm	Screw Size	RU-CSA Mil-Spec	Per Case
100	DT-MP-750-9-C	Natural Nylon	.74/18.79	.19/4.82	.05/1.27	.20/5.08	#4	RU-CSA	1,000
100	DT-MP-750-0-C	Black Nylon	.74/18.79	.19/4.82	.05/1.27	.20/5.08	#4	RU-CSA	1,000
100	DT-MP-1000-9-C	Natural Nylon	.99/25.14	.20/5.08	.06/1.52	.20/5.08	#6	RU-CSA	1,000
100	DT-MP-1000-0-C	Black Nylon	.99/25.14	.20/5.08	.06/1.52	.20/5.08	#6	RU-CSA	1,000

Tolerance: .xxx = +/- .005, .xx = +/- .015, Fraction = +1/32"
 White release paper.
 ROHS compliant. Sold in case quantities.



Diamond® Fastening Hardware

Cable Tie Mounting Pads, Mounting Pad Adhesive



Mounting Pads, Acrylic Adhesive, Natural and Black

Per Bag	Part No.	Color and Material	Length inch/mm	Height inch/mm	Slot Height inch/mm	Slot Width inch/mm	Screw Size	UL-CSA Mil-Spec	Per Case
100	DT-MPA-750-9-C	Natural Nylon	.74/18.79	.19/4.82	.05/1.27	.20/5.08	#4	UL-CSA	1,000
100	DT-MPA-750-0-C	Black Nylon	.74/18.79	.19/4.82	.05/1.27	.20/5.08	#4	UL-CSA	1,000
100	DT-MPA-1000-9-C	Natural Nylon	.99/25.14	.20/5.08	.06/1.52	.20/5.08	#6	UL-CSA	1,000
100	DT-MPA-1000-0-C	Black Nylon	.99/25.14	.20/5.08	.06/1.52	.20/5.08	#6	UL-CSA	1,000

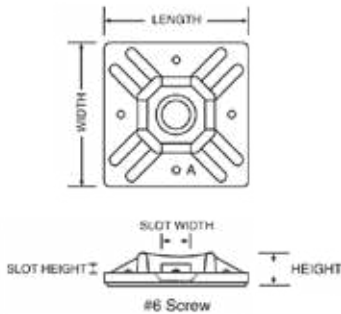
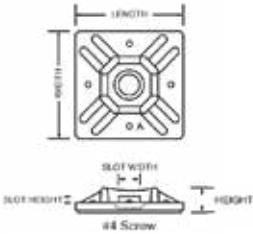
Tolerance: .xxx = +.005, .xx = +.015, Fraction = +1/32"
 3-4 week lead time and 5,000 piece minimum order for acrylic adhesive.
 Blue release paper.
 ROHS compliant. Sold in case quantities.



Mounting Pads, Non-Taped, Natural and Black

Per Bag	Part No.	Color and Material	Length inch/mm	Height inch/mm	Slot Height inch/mm	Slot Width inch/mm	Screw Size	UL-CSA Mil-Spec	Per Case
100	DT-MP-750-NT-9-C	Natural Nylon	.74/18.79	.19/4.82	.05/1.27	.20/5.08	#4	UL-CSA	1,000
100	DT-MP-750-NT-0-C	Black Nylon	.74/18.79	.19/4.82	.05/1.27	.20/5.08	#4	UL-CSA	1,000
100	DT-MP-1000-NT-9-C	Natural Nylon	.99/25.14	.20/5.08	.06/1.52	.20/5.08	#6	UL-CSA	1,000
100	DT-MP-1000-NT-0-C	Black Nylon	.99/25.14	.20/5.08	.06/1.52	.20/5.08	#6	UL-CSA	1,000

Tolerance: .xxx = +.005, .xx = +.015, Fraction = +1/32"
 UL Recognized - CSA approved with mechanical fastener.
 ROHS compliant. Sold in case quantities.



Mounting Pad Adhesive

Per Clam	Part No.	Color and Material	Grams Per Tube	Approximate Dots Per Tube	Full Cure Time	Per Case
100	DT-MP-ADHESIVE	Clear Cyanoacrylate	20 net weight	200	24 Hours	10

Reference MSD sheets for full details.
 Sold in case quantities.

Designed for poorly mating surfaces that require gap filling or bonding unlike substrates.

No drip or slump gel. Ideal for vertical applications, sets in minutes.

Wide array of substrates. Nylon, Phenolic Materials, Polycarbonate, PVC, ABS, Rubber, Zinc Dichromate, Aluminum, Degreased Steel, Powder Coated Substrates.



Diamond® Fastening Hardware

Cable Tie Screw Mounts



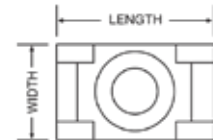
Secure support. Deep cradle design provides maximum support for larger bundles and tubing.

Easy insertion of Cable Ties. Deep recessed screw hole allows cable ties to pass over screw head.

Standard Screw Mounts, Natural and Black

Per Bag	Part No.	Color and Material	Length inch/mm	Height inch/mm	Width inch/mm	Slot Height inch/mm	Slot Width inch/mm	Screw Size	UL-CSA Mil-Spec	Per Case
100	DT-SM0-9-C	NaturalNylon	.59/15.0	.27/7.0	.39/10.0	.06/1.5	.20/5.01	#4		1,000
100	DT-SM0-0-C	Black Nylon								
100	DT-SM1-9-C	NaturalNylon	.59/15.0	.27/7.0	.37/9.3	.06/1.5	.19/4.8	#6		1,000
100	DT-SM1-0-C	Black Nylon								
100	DT-SM2-9-C	NaturalNylon	.87/22.1	.38/9.6	.64/16.2	.12/3.1	.30/7.6	1/4"		1,000
100	DT-SM2-0-C	Black Nylon								
100	DT-SM3-9-C	NaturalNylon	.90/23.0	.35/9.0	.63/16.0	.12/3.1	.35/9.0	#10		1,000
100	DT-SM3-0-C	Black Nylon								
100	DT-SM8-9-C	NaturalNylon	.62/15.7	.25/6.3	.37/9.3	.06/1.5	.19/4.8	#8		1,000
100	DT-SM8-0-C	Black Nylon								

Tolerance: +.03/.76mm
ROHS compliant. Sold in case quantities.



Reduces snags allowing bundles closer proximity to mounting material.

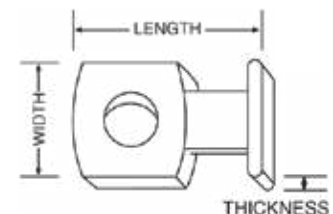
Confined spaces and control panels or other areas where space is limited.

Achieve extreme low height when combined with ACT's Cobra - Low Profile Cable Tie.

Low Profile Screw Mounts, Natural

Per Bag	Part No.	Color and Material	Length inch/mm	Height inch/mm	Width inch/mm	Slot Height inch/mm	Slot Width inch/mm	Screw Size	UL-CSA Mil-Spec	Per Case
100	DT-LPM1-9-C	NaturalNylon	.75/19.05	.12/3.04	.50/12.70	.062/1.587	.18/4.57	#8		1,000

Tolerance: +.03/.76mm
ROHS compliant. Sold in case quantities.



Diamond® Fastening Hardware

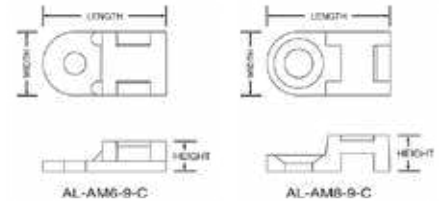
Cable Tie Mounts



Anchor Mounts, Natural

Per Bag	Part No.	Color and Material	Length inch/mm	Height inch/mm	Width inch/mm	Slot Width inch/mm	Hole inch/mm	Screw Size	Per Case
100	DT-AM6-9-C	NaturalNylon	.771/19.6	.196/5.0	.374/9.5	.20/5.2	.145/3.7	#6	1,000
100	DT-AM8-9-C	NaturalNylon	.751/19.1	.244/6.2	.393/10.0	.20/5.2	.165/4.2	#8	1,000

Tolerance: +.03/.76mm
ROHS compliant. Sold in case quantities.



Saves positioning time with the 4 sided entry allowing parallel or perpendicular bundle alignment.

Confined spaces and control panels or other areas where space is limited.

Quickly secures and positions wire bundles, cables, hoses, etc. to panels.

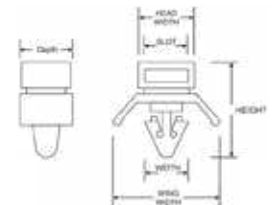
Easy insertion of Cable Ties through wide entry slot.



Wing Push Mounts, Natural

Per Bag	Part No.	Color and Material	Height inch/mm	Depth inch/mm	Wing Width inch/mm	Head Width inch/mm	Slot Width inch/mm	Mount Width inch/mm	Hole inch/mm	Per Case
100	DT-PMW-9-C	NaturalNylon	.732/18.6	.374/9.5	.79/20.1	.422/10.72	.31/8.1	.244/6.2	.25/6.3	1,000

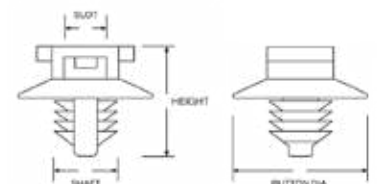
Tolerance: +.03/.76mm
ROHS compliant. Sold in case quantities.



Button Mounts, Black

Per Bag	Part No.	Color and Material	Height inch/mm	Exposed inch/mm	Shaft Length inch/mm	Button Diameter inch/mm	Slot Width inch/mm	Shaft Diameter inch/mm	Hole inch/mm	Per Case
100	DT-BM-0-C	Black Nylon	.535/13.6	.248/6.3	.287/7.3	.634/16.12	.196/5.0	.299/7.6	.25/6.3	1,000

Tolerance: +.03/.76mm
ROHS compliant. Sold in case quantities.



One piece design allows for quicker mounting with no mechanical fastener reducing time and cost.

Easy insertion of Cable Ties through wide entry slot.

Quickly secures and positions wire bundles, cables, hoses, etc. to panels.

Extra stability is created from the push mount tensioning wings.

Saves Cable Tie cinching time. The button mount's stay-n-place tab keeps cable ties from sliding during application.



Diamond® Fastening Hardware

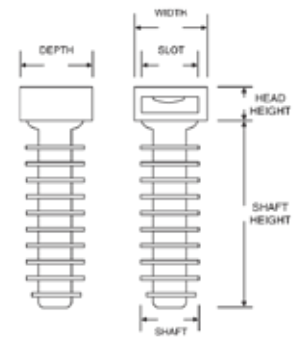
Cable Tie Mounts, Identification Plates



Wall Mounts, Black

Per Bag	Part No.	Color and Material	Shaft Height inch/mm	Head Height inch/mm	Shaft Diameter inch/mm	Head Width inch/mm	Slot Width inch/mm	Head Depth inch/mm	Hole inch/mm	Per Case
100	DT-WM-0-C	Black Nylon	1.45/37.0	.248/6.3	.393/10.0	.50/12.7	.381/9.7	.492/12.5	.32/8.1	1,000

Tolerance: $\pm .03/.76$ mm
ROHS compliant. Sold in case quantities.



Saves Cable Tie cinching time. The stay-n-place tab keeps cable tie head from sliding down behind bundle during vertical applications and maintains placement during horizontal applications.

Quickly secures and positions wire bundles, cables, hoses, etc. to walls.

One piece design allows for quicker mounting with no mechanical fastener reducing time and cost.



Identification Plates, Natural

Per Bag	Part No.	Color and Material	Length inch/mm	Width inch/mm	Thickness inch/mm	Slot Height inch/mm	Slot Width inch/mm	RU-CSA Mil-Spec	Per Case
100	DT-IDP1-9-C	Natural Nylon	1.57/40.0	.787/20.0	.039/1.0	.08/2.03	.18/4.57		1,000
100	DT-IDP2-9-C	Natural Nylon	2.36/60.0	.984/25.0	.039/1.0	.08/2.03	.18/4.57		1,000

Tolerance: $\pm .03/.76$ mm
ROHS compliant. Sold in case quantities.



Allows larger print when information and visibility is critical.

Increased surface area provides twice the area as conventional identification cable ties.

Orientation variety. Apply to bundle vertically or horizontally.

Diamond® Fastening Hardware

Cable Tie Specialty Packs



Saves time with the 3 easy access doors.

No more sorting. The individual compartments eliminate the hassle and time spent searching through various sizes in a canister.

Easy storage designed to fit into tool boxes or hang on peg boards.

Exceptional value compared to purchasing items separately.

Standard DTPACs

Total Pieces	Part No./ Color & Material/ RU-CSA	Component Part Number	Component Quantities	Length inch/mm	Tie Tensile	Diameter inch/mm	Mil-Spec	Per Case
400	DTPAC-400-9 Natural Nylon RU-CSA	DT-11-50-9	100	11.25/285.75	50 lb.	3.062/77.787	MS3367-7	20
		DT-07-50-9	100	7.56/192.07	50 lb.	1.875/47.625	MS3367-1	
		DT-04-18-9	200	4.12/104.77	18 lb.	.845/22.225	MS3367-4	
400	DTPAC-400-0 UV Black Nylon RU-CSA	DT-11-50-0	100	11.25/285.75	50 lb.	3.062/77.787	MS3367-7	20
		DT-07-50-0	100	7.56/192.07	50 lb.	1.875/47.625	MS3367-1	
		DT-04-18-0	200	4.12/104.77	18 lb.	.845/22.225	MS3367-4	

Tolerance: .xxx = +-0.05, .xx = +-0.15, Fraction = +-1/32". Clam Shell dimensions: 15" x 7.125" x 2". ROHS compliant. Sold in case quantities.

Tension Tool DTPACs

Total Pieces	Part No./ Color & Material/ RU-CSA	Component Part Number	Component Quantities	Length inch/mm	Tie Tensile	Diameter inch/mm	Mil-Spec	Per Case
401	DTPAC-401-DT100-9 Natural Nylon RU-CSA Cable Ties	DT-11-50-9	100	11.25/285.75	50 lb.	3.062/77.787	MS3367-7	20
		DT-07-50-9	100	7.56/192.07	50 lb.	1.875/47.625	MS3367-1	
		DT-04-18-9	200	4.12/104.77	18 lb.	.875/22.225	MS3367-4	
		DT-100	1	Twist Cut Off Tension Tool for 18lb. to 50lb. Cable Ties				
401	DTPAC-401-DT100-0 UV Black Nylon RU-CSA Cable Ties	DT-11-50-0	100	11.25/285.75	50 lb.	3.062/77.787	MS3367-7	20
		DT-07-50-0	100	7.56/192.07	50 lb.	1.875/47.625	MS3367-1	
		DT-04-18-0	200	4.12/104.77	18 lb.	.875/22.225	MS3367-4	
		DT-100	1	Twist Cut Off Tension Tool for 18lb. to 50lb. Cable Ties				

Tolerance: .xxx = +-0.05, .xx = +-0.15, Fraction = +-1/32". Clam Shell dimensions: 15" x 7.125" x 2". ROHS compliant. Sold in case quantities.

3/4" Mounting Pad DTPACs

Total Pieces	Part No./ Color & Material/ RU-CSA	Component Part Number	Component Quantities	Length inch/mm	Tie Tensile	Diameter inch/mm	Mil-Spec	Per Case
300	DTPAC-300-MP750-9 Natural Nylon RU-CSA Ties&Mounts	DT-11-50-9	100	11.25/285.75	50 lb.	3.062/77.787	MS3367-7	20
		DT-07-50-9	100	7.56/192.07	50 lb.	1.875/47.625	MS3367-1	
		DT-MP-750-9	100	3/4" / #4 Screw / 18-50lb. Ties / Rubber Adhesive				
300	DTPAC-300-MP750-0 UV Black Nylon RU-CSA Ties&Mounts	DT-11-50-0	100	11.25/285.75	50 lb.	3.062/77.787	MS3367-7	20
		DT-07-50-0	100	7.56/192.07	50 lb.	1.875/47.625	MS3367-1	
		DT-MP-750-0	100	3/4" / #4 Screw / 18-50lb. Ties / Rubber Adhesive				

Tolerance: .xxx = +-0.05, .xx = +-0.15, Fraction = +-1/32". Clam Shell dimensions: 15" x 7.125" x 2". ROHS compliant. Sold in case quantities. Please allow 2 week lead time.

1" Mounting Pad DTPACs

Total Pieces	Part No./ Color & Material/ RU-CSA	Component Part Number	Component Quantities	Length inch/mm	Tie Tensile	Diameter inch/mm	Mil-Spec	Per Case
250	DTPAC-250-MP1000-9 Natural Nylon RU-CSA Ties&Mounts	DT-11-50-9	100	11.25/285.75	50 lb.	3.062/77.787	MS3367-7	20
		DT-07-50-9	100	7.56/192.07	50 lb.	1.875/47.625	MS3367-1	
		DT-MP-1000-0	50	1" / #6 Screw / 18-50lb. Ties / Rubber Adhesive				
250	DTPAC-250-MP1000-0 UV Black Nylon RU-CSA Cable Ties	DT-11-50-0	100	11.25/285.75	50 lb.	3.062/77.787	MS3367-7	20
		DT-07-50-0	100	7.56/192.07	50 lb.	1.875/47.625	MS3367-1	
		DT-MP-1000-0	50	1" / #6 Screw / 18-50lb. Ties / Rubber Adhesive				

Tolerance: .xxx = +-0.05, .xx = +-0.15, Fraction = +-1/32". Clam Shell dimensions: 15" x 7.125" x 2". ROHS compliant. Sold in case quantities. Please allow 2 week lead time.



Diamond® Fastening Hardware

Cable Tie Specialty Packs



No more sorting. The individual compartments eliminates the hassle and time spent searching through various sizes in a canister.

One Kit - All Jobs. Large variety of ties and mounts in an easy to carry case.

Adjustable and reusable case supplied with extra dividers.

Exceptional value compared to purchasing items separately.

DTKIT

Total Pieces	Part No./ Color & Material/ RU-CSA	Component Part Number	Component Quantities	Length inch/mm	Tie Tensile	Diameter inch/mm	Mil-Spec	Per Case
801	DTKIT-801-9 Natural Nylon RU-CSA Cable Ties & Mounts	DT-04-18-9	100	4.12/104.77	18 lb.	.874/22.225	MS3367-4	5
		DT-05-40-9	100	5.84/148.33	40 lb.	1.437/36.512	MS3367-5	
		DT-07-50-9	100	7.56/192.07	50 lb.	1.875/47.625	MS3367-1	
		DT-14-50-9	100	14.56/369.87	50 lb.	4.125/104.775	MS3367-2	
		DT-07-50-MH-9	100	8.00/203.20	50 lb.	1.75/44.45		
		DT-07-50-LP-9	100	7.50/190.50	50 lb.	1.75/44.45	MS3367-23	
		DT-MP-750-9	100	3/4" / #4 Screw / 18-50lb. Ties / Rubber Adhesive				
		DT-MP-1000-9	100	1" / #6 Screw / 18-50lb. Ties / Rubber Adhesive				
DT-100	1	Twist Cut Off Tension Tool for 18lb. to 50lb. Cable Ties						
801	DTKIT-801-0 UV Black Nylon RU-CSA Cable Ties & Mounts	DT-04-18-9	100	4.12/104.77	18 lb.	.874/22.225	MS3367-4	5
		DT-05-40-9	100	5.84/148.33	40 lb.	1.437/36.512	MS3367-5	
		DT-07-50-9	100	7.56/192.07	50 lb.	1.875/47.625	MS3367-1	
		DT-14-50-9	100	14.56/369.87	50 lb.	4.125/104.775	MS3367-2	
		DT-07-50-MH-9	100	8.00/203.20	50 lb.	1.75/44.45		
		DT-07-50-LP-9	100	7.50/190.50	50 lb.	1.75/44.45	MS3367-23	
		DT-MP-750-9	100	3/4" / #4 Screw / 18-50lb. Ties / Rubber Adhesive				
		DT-MP-1000-9	100	1" / #6 Screw / 18-50lb. Ties / Rubber Adhesive				
DT-100	1	Twist Cut Off Tension Tool for 18lb. to 50lb. Cable Ties						

Tolerance: .xxx = +.005, .xx = +.015, Fraction = +1/32".
Nominal Case dimensions: 15" x 11.75" x 2.5".
ROHS compliant. Sold in case quantities.



No more fumbling with Ties with the easy to access pouches.

No more sorting. The individual pouches eliminate the hassle and time spent searching through various colors in a bag.

Easy to close. Just fold and go.

Easy to hang from nearby equipment.

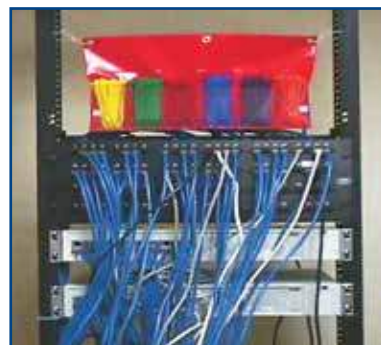
High quality color concentrates produce color consistency time after time.

Ideal Applications: Color coding and identifying communication panels.

DTPOUCH

Total Pieces	Part No.	Component Part Number	Component Quantities	Length inch/mm	Tie Tensile	Diameter inch/mm	Mil-Spec	Per Case
300	DTPOUCH-300	DT-04-18-2,3,4,5,6,7	50	4.12/104.77	18 lb.	.875/22.225	MS3367-4	10

Tolerance: .xxx = +.005, .xx = +.015, Fraction = +1/32".
UL Recognized and CSA Approved.
ROHS compliant. Sold in case quantities.



Diamond® Installation Supplies

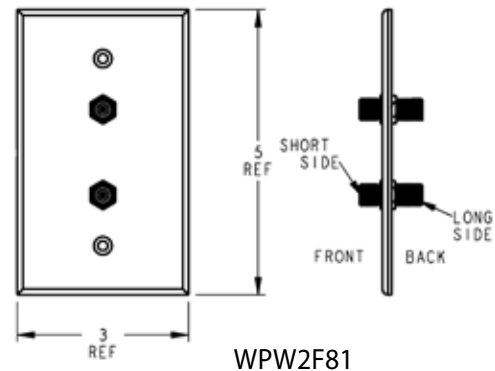
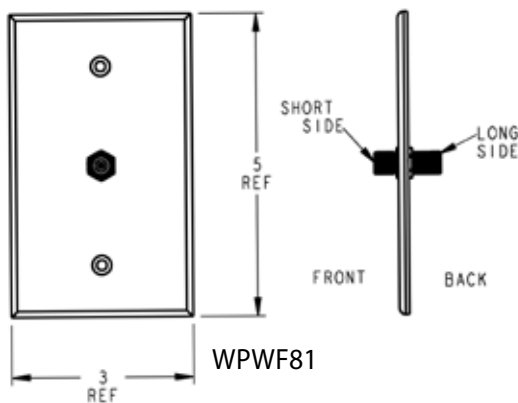
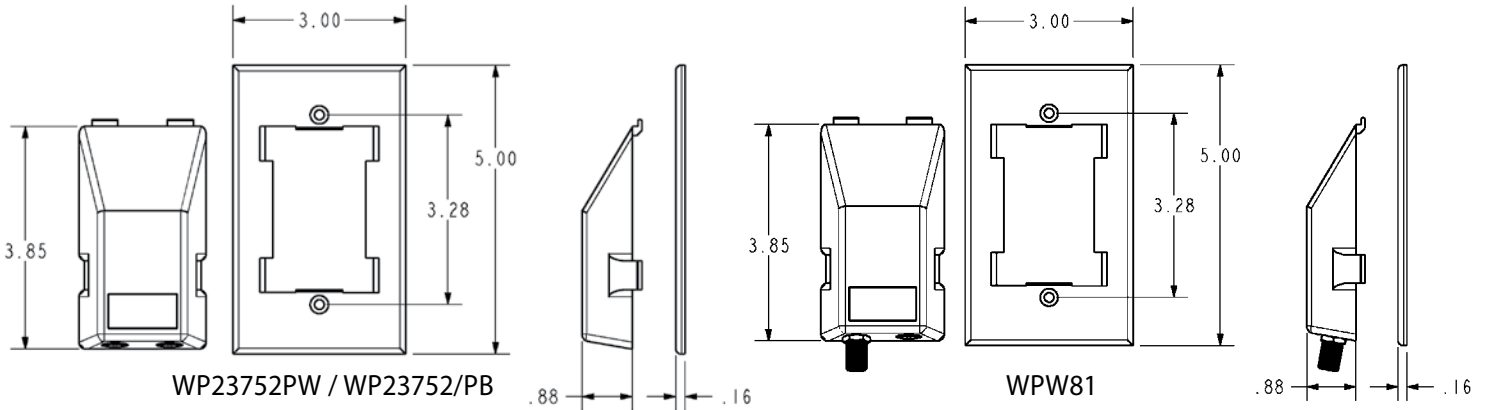
Wall Plates



Wall Plates



Part Number	Description	Inner Pack	Outer Pack
WP23752PW	Wallplate, White, Furniture Safe, No Splice	25	100
WP23752PB	Wallplate, Beige, Furniture Safe, No Splice	25	100
WPW81	Wallplate, White, Furniture Safe, One F81 Splice Connector	25	100
WPW81-BULK	Box of 250 WPW81 Wall Plates	--	250
WPWF81	Wallplate, White, One F81 Splice Connector	25	100
WPW2F81	Wallplate, White, Two F81 Splice Connectors	25	100





Diamond® Installation Supplies

Hardware and Rough-In Products - Anchors and Screws



Plastic Anchors and Plastic Anchor Kits



- Used to anchor sheet metal or wood screws in masonry, cinder block or brick.
- Weather resistant UV inhibitor outdoor plastic.

Part Number	Description	Anchor Size	Screw Size	Drill Diameter	Inner Pack	Outer Pack
12-08210	Plastic Anchor Only	#1 x 7/8"L	#6, 8, 10	3/16"	100	1,500
12-08220	Plastic Anchor Only	#2 x 1"L	#10, 12	1/4"	100	1,500
12-08230	Plastic Anchor Only	#3 x 1-1/4"L	#14, 16	5/16"	50	750
12-58210	Drill Bit Incl. in Kit*	#1 x 1-7/8"L	#8	3/16"	1	10
12-58220	Drill Bit Incl. in Kit*	#2 x 1"L	#10	1/4"	1	24

* Kit includes Anchors, Screws and 4" Drill Bit

Self-Tapping Screws



- Hardened steel self-tapping screw zinc plated ASTM B633.

Part Number	Description	Size	Inner Pack	Outer Pack
17-00001	Slotted 5/16" Hex Head Self-Tapping Screw	#10/12 x 3/4"	100	1,000
17-00003	Slotted 5/16" Hex Head Self-Tapping Screw	#10/12 x 1-1/2"	100	1,000
17-00012	Phillips 1/4" Hex Head Self-Tapping Screw	#8 x 1"	100	1,000

Diamond® Hardware Products

Index

Part No.	Part No.	Part No.	
12-01401.....	18	34-08911.....	22
12-01402.....	18	34-08912.....	22
12-01501.....	18	34-08921.....	22
12-01502.....	18	34-08922.....	22
12-08210.....	59	34-08931.....	22
12-08220.....	59	34-08932.....	22
12-08230.....	59	34-08941.....	22
12-58210.....	59	34-08942.....	22
12-58220.....	59	34-08951.....	22
15-00120.....	20	34-08952.....	22
15-00121.....	20	34-08956.....	22
15-00122.....	20	34-08961.....	22
15-00123.....	20	34-08972.....	22
15-10041.....	21	3408972-SP.....	22
15-10042.....	21	40-00540.....	12
15-10043.....	21	40-00200.....	12
15-10044.....	21	40-20000.....	30
15-10101.....	20	40-20001.....	30
15-10102.....	20	40-20002.....	30
15-11111.....	21	40-20003.....	30
17-00001.....	59	40-20004.....	30
17-00003.....	59	40-43007.....	25
17-00012.....	59	40-43008.....	25
22-12121.....	15	40-80365.....	18
23-44441.....	7	BJ1DS.....	36
23-44444.....	7	DG2.....	34
23-44445.....	7	DG4.....	34
23-80002.....	32	DG6.....	34
23-80261.....	15	DG8.....	34
23-80262.....	15	DT-B-50.....	40
23-80361.....	18	DT-D-10-50.....	39
23-80363.....	18	DT-D-13-50.....	39
23-80366.....	15	DT-D-16-50.....	39
23-80370.....	18	DT-D-27-25.....	39
23-80403.....	10	DT-D-BX-50.....	39
23-80405.....	10	DT-D-BX-100.....	39
23-80406.....	10	DT-D-KIT.....	39
23-80407.....	10	DT-D-LH-25.....	40
23-82350.....	7	DT-D-PK-5.....	39
23-82351.....	7	DT-D-PK-10.....	39
23-83361.....	18	DT-D-RL-50.....	39
23-88881.....	7	DT-D-SP-100.....	40
23-88885.....	7	DT-H-50.....	40
24-80003.....	10	DT-N-10-50.....	39
24-80004.....	10	DT-N-12-50.....	39
24-80005.....	10	DT-N-13-50.....	39
24-80006.....	10	DT-N-15-50.....	39
24-80007.....	10	DT-N-16-50.....	39
24-80008.....	10	DT-N-18-50.....	39
24-80009.....	10	DT-N-24-50.....	39
24-80010.....	10	DT-N-27-25.....	39
24-80011.....	10	DT-N-36-25.....	39
24-80012.....	10	DT-N-48-25.....	39
24-80014.....	10	DT-N-72-10.....	39
24-80016.....	10	DT-N-BX-50.....	39
24-80018.....	10	DT-N-BX-100.....	39
24-80020.....	10	DT-N-BX-200.....	39
24-88013.....	16	DT-N-KIT.....	39
24-88014.....	16	DT-N-RL-50.....	39
24-88016.....	16	DT-WM-0-C.....	40
24-88017.....	16	G3-DS.....	35
24-88027.....	16	G4-DS.....	35
25-80070.....	11	G5-DS.....	35
25-80100.....	11	GBS81K.....	31
25-80110.....	11	IBT1.....	30
25-80120.....	11	IBT2.....	30
25-80140.....	11		
25-80160.....	11		
25-80180.....	11		
25-80200.....	11		
25-80240.....	11		
25-80260.....	11		
25-80300.....	11		
25-80360.....	11		
25-80400.....	11		
25-80420.....	11		
25-80560.....	11		
26-09010.....	24		
26-09010NS.....	24		
26-09020.....	24		
26-09022.....	24		
27-00185.....	8		
2700185-LA.....	8		
27-00860.....	8		
27-00865.....	8		
27-00869.....	8		
28-03004.....	25		
28-09500.....	24		
28-09600.....	24		
28-09610.....	24		
28-09615.....	24		
28-09800.....	9		
28-09850.....	9		
28-19651.....	24		
28-80001.....	28		
29-19941.....	26		
29-19943.....	26		
29-19944.....	26		
29-19945.....	25		
29-50044.....	26		
30-00801.....	20		
30-00804.....	20		
30-00805.....	20		
30-00807.....	20		
30-01732.....	13		
30-01801.....	20		
30-01804.....	20		
30-01805.....	20		
31-00800.....	13		
31-00801.....	13		
31-00807.....	20		
31-00809.....	13		
31-00810.....	14		
31-00812.....	14		
31-00819.....	14		
31-00821.....	14		
31-00823.....	14		
31-00824.....	14		
31-00825.....	14		
31-00827.....	14		
31-10809.....	13		
33-00840.....	14		
33-00841.....	14		
34-00890.....	23		
34-08052.....	19		
34-08053.....	19		
34-08057.....	19		
34-08058.....	19		
34-08059.....	19		
34-08060.....	19		
34-08850.....	23		
34-08875.....	23		

Diamond® Hardware Products

Index

Part No.	Part No.	Part No.			
DT-08-40-##-C.....	44	DT-14-50-CW-0-C.....	51	DT-MP-1000-0-C.....	51
DT-08-40-##FL-C.....	44	DT-14-50-ID-9-C.....	48	DT-MP-1000-9-C.....	51
DT-08-50-RL-0-C.....	45	DT-14-50-LP-0-C.....	45	DT-MP-1000-NT-0-C.....	52
DT-08-50-RL-9-C.....	45	DT-14-50-LP-9-C.....	45	DT-MP-1000-NT-9-C.....	52
DT-08-BD-9-C.....	49	DT-14-50-MH-0-C.....	44	DT-MP-750-0-C.....	51
DT-11-40-0-C.....	41	DT-14-50-MH-9-C.....	44	DT-MP-750-9-C.....	51
DT-11-40-0-M.....	41	DT-14-50-P-35-C.....	50	DT-MP-750-NT-0-C.....	52
DT-11-40-30-C.....	41	DT-14-50-RL-0-C.....	45	DT-MP-750-NT-9-C.....	52
DT-11-40-30-M.....	41	DT-14-50-RL-9-C.....	45	DT-MPA-1000-0-C.....	52
DT-11-40-9-C.....	41	DT-17-50-0-C.....	42	DT-MPA-1000-9-C.....	52
DT-11-40-9-M.....	41	DT-17-50-9-C.....	42	DT-MPA-750-0-C.....	52
DT-11-50-0-C.....	42	DT-18-120-0-L.....	42	DT-MPA-750-9-C.....	52
DT-11-50-0-D.....	42	DT-18-120-9-L.....	42	DT-MP-ADHESIVE.....	52
DT-11-50-30-C.....	42	DT-18-120-LP-0-L.....	45	DTPAC-250-MP1000-0.....	56
DT-11-50-30-D.....	42	DT-18-120-LP-9-L.....	45	DTPAC-250-MP1000-9.....	56
DT-11-50-9-C.....	42	DT-20-100-SS-C.....	46	DTPAC-300-MP750-0.....	56
DT-11-50-9-D.....	42	DT-20-100-SS-CT-C.....	46	DTPAC-300-MP750-9.....	56
DT-11-50-##-C.....	44	DT-20-100-SS-SP-C.....	47	DTPAC-400-0.....	56
DT-11-50-##FL-C.....	44	DT-20-100-SS-SP-CT-C.....	48	DTPAC-400-9.....	56
DT-11-50-CW-0-C.....	51	DT-20-250-SS-C.....	46	DTPAC-401-DT100-0.....	56
DT-11-50-LP-0-C.....	45	DT-20-250-SS-CT-C.....	46	DTPAC-401-DT100-9.....	56
DT-11-50-LP-9-C.....	45	DT-20-250-SS-SP-C.....	47	DT-PMW-9-C.....	54
DT-11-50-MH-0-C.....	44	DT-20-250-SS-SP-CT-C.....	48	DTPOUCH-300.....	57
DT-11-50-MH-9-C.....	44	DT-21-50-0-C.....	42	DT-SM0-0-C.....	53
DT-11-50-P-35-C.....	50	DT-21-50-9-C.....	42	DT-SM0-9-C.....	53
DT-12-50-RL-0-C.....	45	DT-22-250-0-C.....	43	DT-SM1-0-C.....	53
DT-12-50-RL-9-C.....	45	DT-22-250-9-C.....	43	DT-SM1-9-C.....	53
DT-14-100-SS-C.....	46	DT-24-100-SS-LD-C.....	47	DT-SM2-0-C.....	53
DT-14-100-SS-CT-C.....	46	DT-24-100-SS-LD-CT-C.....	47	DT-SM2-9-C.....	53
DT-14-100-SS-LD-C.....	47	DT-24-120-0-L.....	42	DT-SM3-0-C.....	53
DT-14-100-SS-LD-CT-C.....	47	DT-24-120-9-L.....	42	DT-SM3-9-C.....	53
DT-14-100-SS-SP-C.....	47	DT-24-120-LP-0-L.....	45	DT-SM8-0-C.....	53
DT-14-100-SS-SP-CT-C.....	48	DT-24-120-LP-9-L.....	45	DT-SM8-9-C.....	53
DT-14-120-0-C.....	42	DT-24-175-0-L.....	43	DT-WM-0-C.....	55
DT-14-120-0-L.....	42	DT-24-175-9-L.....	43		
DT-14-120-30-C.....	42	DT-24-250-SS-LD-C.....	47		
DT-14-120-30-L.....	42	DT-24-250-SS-LD-CT-C.....	47		
DT-14-120-9-C.....	42	DT-27-100-SS-C.....	46		
DT-14-120-9-L.....	42	DT-27-100-SS-CT-C.....	46		
DT-14-120-##-C.....	44	DT-27-250-SS-C.....	46		
DT-14-120-##FL-C.....	44	DT-27-250-SS-CT-C.....	46		
DT-14-120-CW-0-C.....	51	DT-30-100-SS-LD-C.....	47		
DT-14-120-LP-0-C.....	45	DT-30-100-SS-LD-CT-C.....	47		
DT-14-120-LP-9-C.....	45	DT-30-120-0-L.....	42		
DT-14-120-MH-0-C.....	44	DT-30-120-9-L.....	42		
DT-14-120-MH-9-C.....	44	DT-30-120-LP-0-L.....	45		
DT-14-250-SS-C.....	46	DT-30-120-LP-9-L.....	45		
DT-14-250-SS-CT-C.....	46	DT-30-250-SS-LD-C.....	47		
DT-14-250-SS-LD-C.....	47	DT-30-250-SS-LD-CT-C.....	47		
DT-14-250-SS-LD-CT-C.....	47	DT-36-120-0-L.....	42		
DT-14-250-SS-SP-C.....	47	DT-36-120-9-L.....	42		
DT-14-250-SS-SP-CT-C.....	48	DT-36-120-LP-0-L.....	45		
DT-14-40-0-C.....	41	DT-36-120-LP-9-L.....	45		
DT-14-40-0-M.....	41	DT-36-175-0-L.....	43		
DT-14-40-30-C.....	41	DT-36-175-9-L.....	43		
DT-14-40-30-M.....	41	DT-48-175-0-L.....	43		
DT-14-40-9-C.....	41	DT-48-175-8-L.....	43		
DT-14-40-9-M.....	41	DT-48-175-9-L.....	43		
DT-14-50-0-C.....	42	DT-AM6-9-C.....	54		
DT-14-50-0-D.....	42	DT-AM8-9-C.....	54		
DT-14-50-30-C.....	42	DT-BM-0-C.....	54		
DT-14-50-30-D.....	42	DT-IDP1-9-C.....	55		
DT-14-50-9-C.....	42	DT-IDP2-9-C.....	55		
DT-14-50-9-D.....	42	DTKIT-801-0.....	57		
DT-14-50-##-C.....	44	DTKIT-801-9.....	57		
DT-14-50-##FL-C.....	44	DT-LPM1-9-C.....	53		



PPC Broadband - A Belden Brand

6176 East Molloy Road
East Syracuse, NY 13057
Tel: 315-431-7200
Fax: 315-431-7201

Revision: 11/19/13

Diamond[®]