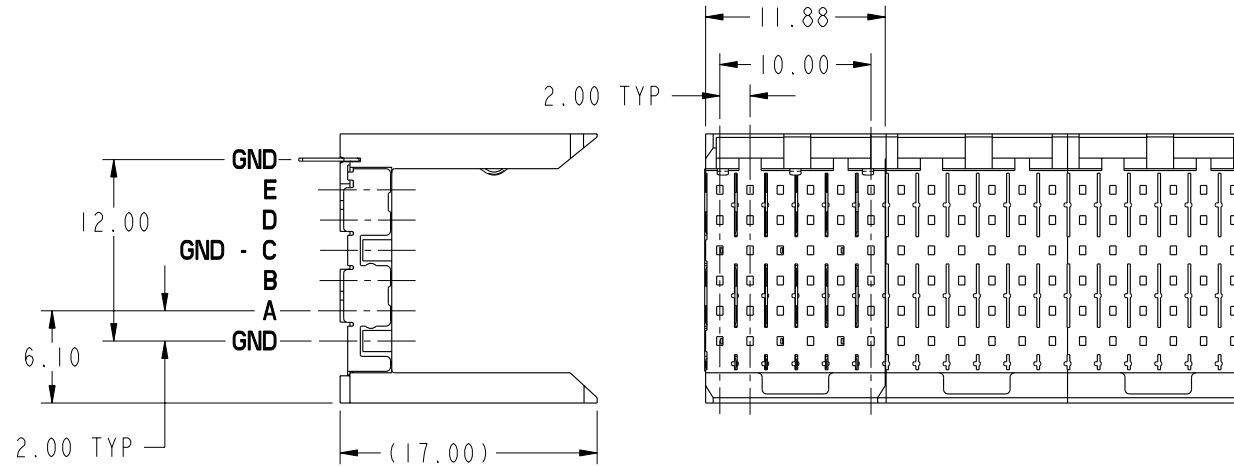
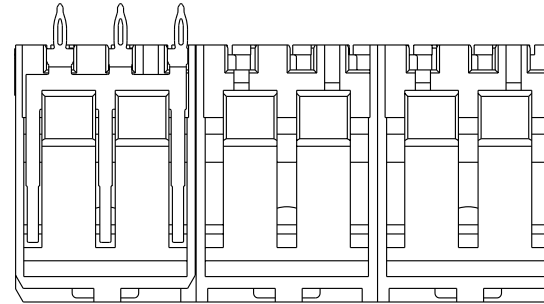




This document is the property of and embodies CONFIDENTIAL and PROPRIETARY information of FCI. No part of the information shown on this document may be used in any way or disclosed to others without the written consent of FCI. Copyright FCI.

PRODUCT NUMBER	GROUND SPRING CONTACT FINGERS PLATING PERFORMANCE LEVEL	GROUND SPRING EON PRESS FIT TAIL PLATING
84621-101	TELCORDIA CO	STANDARD (SnPb)
84621-101LF		LEAD FREE (Sn)
84621-301	CUSTOMER SPECIAL	STANDARD (SnPb)
84621-301LF		LEAD FREE (Sn)
84621-501	TELCORDIA UE	STANDARD (SnPb)
84621-501LF		LEAD FREE (Sn)



mat'l code SEE NOTE 5				tolerances unless otherwise specified		CUSTOMER	FCI www.fciconnect.com			
ltr	ecm no.	dr	date	linear	0.X ±0.1	COPY	title			
A	V90180	L-IV	1999-04-13		0.XX ±0.05	projection	VERTICAL SIGNAL HDR SHROUD			
B	V94089	MRS	1999-11-18	angles	.XXX ±.020	MM	5 ROW, PRESS-FIT 30 POS. STD.			
C	V12224	EPK	2001-09-13		0° ±2°		scale	product family	code	
D	V05-0797	VS	2005-08-31	dr	E. KROPER. 2001-09-13	2:1	size	METRAL 2000	213	
E	V06-0544	DCH	2006-06-12	engr	J. VOLSTORF 2001-09-13		A	dwg no	84621	sheet
F	V07-0677	HTB	2007-11-14	chr	J. VOLSTORF 2001-09-13					1 of 3
G	V08-0072	HTB	2008-02-11	appd	J. VOLSTORF 2001-09-13					
sheet index	revision sheet	G 1	G 2	G 3						

cage code 22526

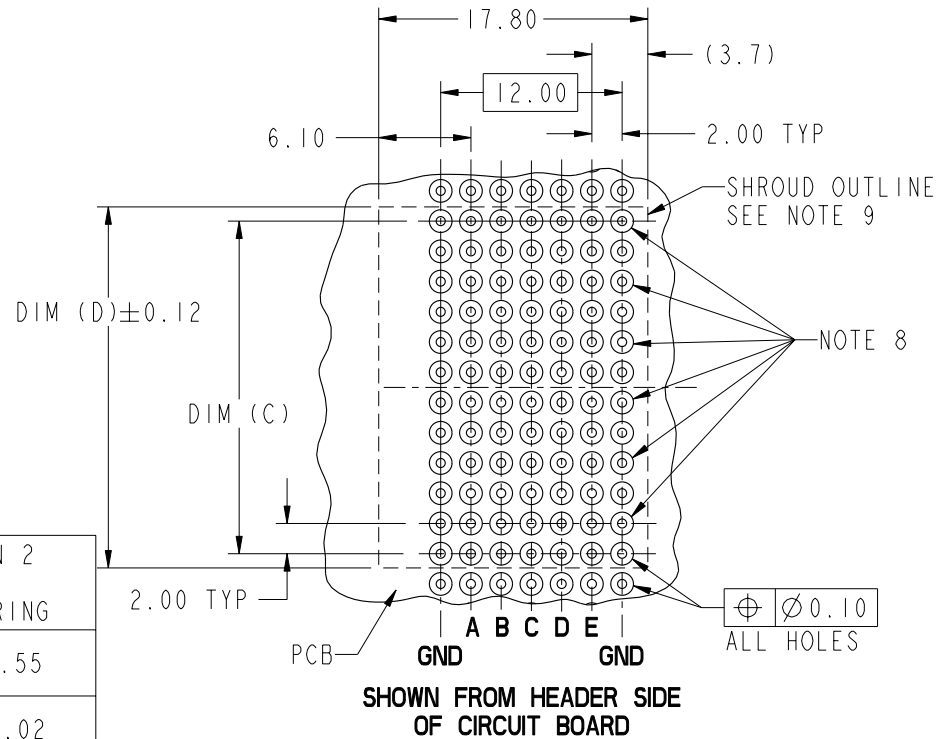
Pro/E

PDM: Rev:G

STATUS: Released

Printed: May 13, 2011

PRODUCT NUMBER
SEE SHEET 1



PRESS-FIT HOLES	OPTION 1 ROWS GND-PIN, A,B,C,D,E	OPTION 2 ROW GND-SPRING
HOLE DIAMETER AFTER PLATING	0.65-0.80	0.45-0.55
DRILLED HOLE	0.81-0.86 (0.85 DRILL)	0.60±0.02
COPPER PLATING	0.025 MIN	0.025 MIN
SnPb PLATING	0.005-0.015	0.005-0.015

mat'l code SEE NOTE 5		tolerances unless otherwise specified		CUSTOMER		FCJ www.fciconnect.com	
ltr	ecm no.	dr	date	linear	0.X ± 0.1	COPY	title VERTICAL SIGNAL HDR SHROUD 5 ROW, PRESS-FIT 30 POS. STD.
G				linear	0.XX ± 0.05	projection	
				angles	.XXX ± .020 0° ± 2°		
		dr	E. KROPER. 2001-09-13	MM		product family	METRAL 2000
		enr	J. VOLSTORF 2001-09-13	← MM →		code	213
		chr	J. VOLSTORF 2001-09-13	scale	2:1	size	dwg no
		appd	J. VOLSTORF 2001-09-13			A	84621
sheet index	revision sheet						sheet
							2

This document is the property of and embodies
 CONFIDENTIAL and PROPRIETARY information of FCJ.
 No part of the information shown on this
 document may be used in any way or disclosed
 to others without the written consent of FCJ.
 Copyright FCJ.

PRODUCT NUMBER
SEE SHEET 1

NOTES:

1. SEE APPLICATION SPECIFICATION GS-20-010 FOR INFORMATION ON AVAILABLE TOOLING, CIRCUIT BOARD DESIGN CONSIDERATIONS, REPAIR PROCEDURES AND PRODUCT OFFERINGS.
2. SEE FCI PUBLICATION 950511-028 FOR "ELECTRICAL PERFORMANCE DATA FOR DIFFERENTIAL APPLICATIONS."
3. SEE FCI PUBLICATION 950511-029 FOR "ELECTRICAL PERFORMANCE DATA FOR SINGLE-ENDED APPLICATION."
4. UNLESS OTHERWISE SPECIFIED, ALL DIMENSIONS AND TOLERANCES ARE IN ACCORDANCE WITH ASME Y14.5, 1994
5. HOUSING MATERIAL: LIQUID CRYSTAL POLYMER, 30% GLASS FILLED, FLAME RETARDANT PER UL 94-V0.
GROUND SPRING MATERIAL: PHOSPHER BRONZE
STRIPLINE SHIELDED MATERIAL: PHOSPHER BRONZE
6. PLATING INFORMATION: SEE TABLE
7. THE MIN PCB THICKNESS FOR REAR PLUG-UP APPLICATIONS IS 2.9mm SINCE THE COMPLIANT SECTIONS OF THE GROUND SPRING OF THE HEADER DIRECTLY OPPOSE THE GROUND SPRING OF THE SHROUD.
8. THESE HOLES ARE NEEDED FOR REAR PLUG-UP DESIGNS USING A SHROUD. ALL OTHER HOLES ARE FOR THE HEADER.
9. THE 'SHROUD OUTLINE' IS THE MIN OUTLINE REQUIRED. TO DETERMINE THE OUTLINE NECESSARY TO PERMIT THE VARIOUS TYPES OF REPAIR OPERATIONS, SEE APPLICATION SPECIFICATION GS-20-010.
10. CURRENT RATING: 1 AMP PER PIN
11. TEMPERATURE RANGE: -55°C TO +105°C
12. PRODUCTS WHERE THE PART NUMBERS ENDS IN LF MEET EUROPEAN UNION DIRECTIVES AND OTHER COUNTRY REGULATIONS AS DESCRIBED IN GS-22-008.
13. ALL PRODUCTS WILL WITHSTAND EXPOSURE TO 260°C FOR 60 SECONDS IN A CONVECTION, INFRA-RED OR VAPOR PHASE REFLOW OVEN.
FOR LEAD FREE PART NUMBERS, ADD 'LF' SUFFIX EXAMPLE:84621-X01LF

A

A



This document is the property of and embodies CONFIDENTIAL and PROPRIETARY information of FCI. No part of the information shown on this document may be used in any way or disclosed to others without the written consent of FCI. Copyright FCI.

B

B

mat'l code SEE NOTE 5		tolerances unless otherwise specified		CUSTOMER		www.fciconnect.com		
ltr	ecn no.	dr	date	linear	0.X ±0.1	COPY		
G					0.XX ±0.05	projection		
				angles	.XXX ±.020			
					0° ±2°			
		dr		E. KROPER.	2001-09-13	MM	product family	
		enr		J. VOLSTORF	2001-09-13		METRAL 2000	code
		chr		J. VOLSTORF	2001-09-13		size	dwg no
		appd		J. VOLSTORF	2001-09-13		2:1	A
sheet index	revision sheet							sheet
								3