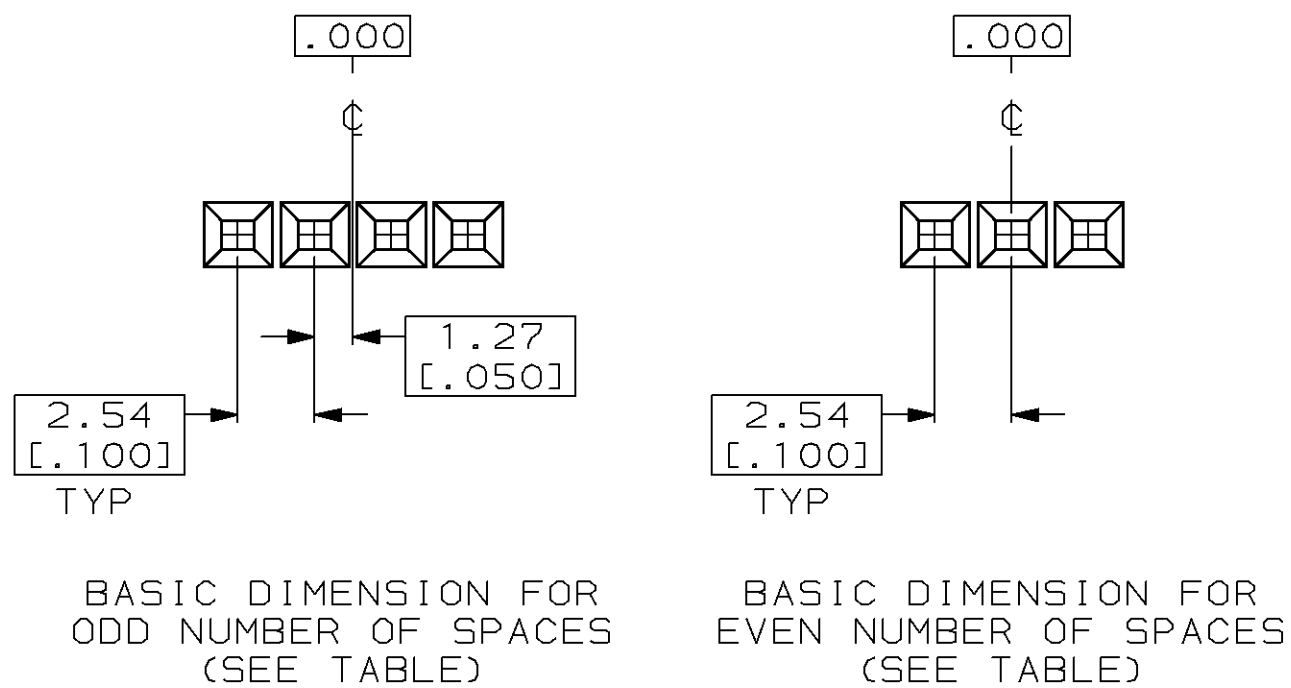


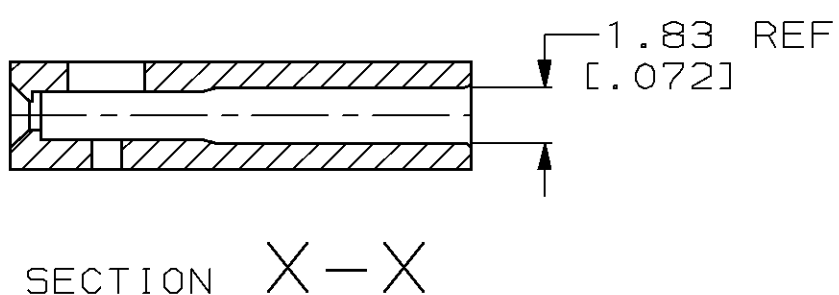
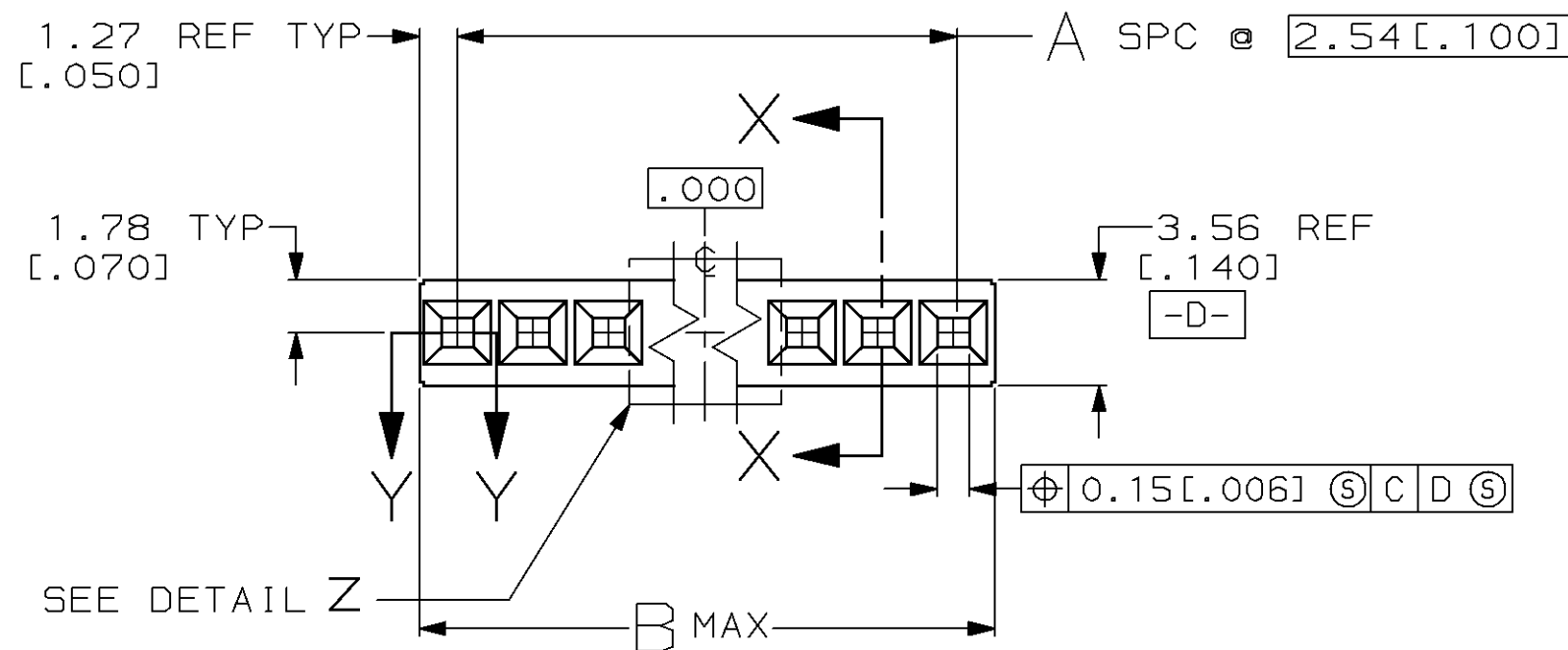
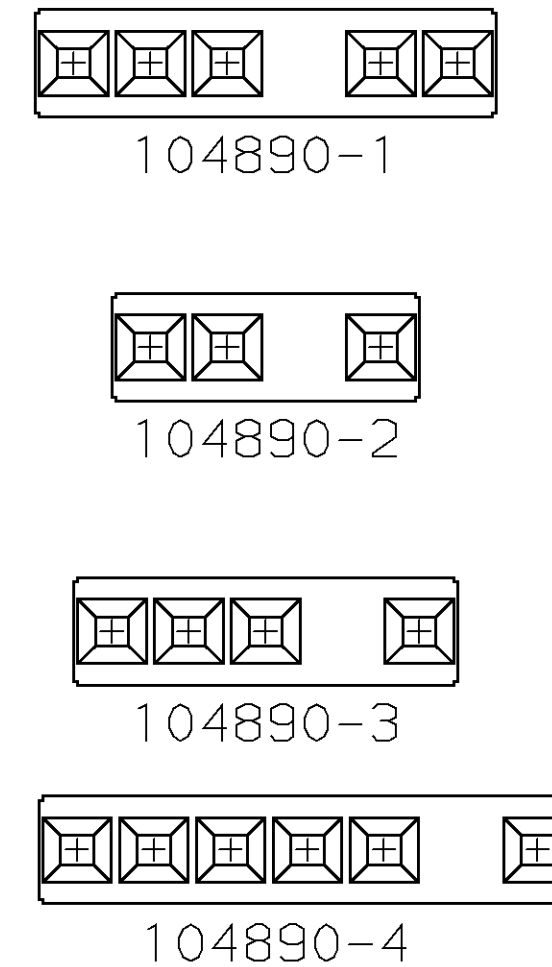
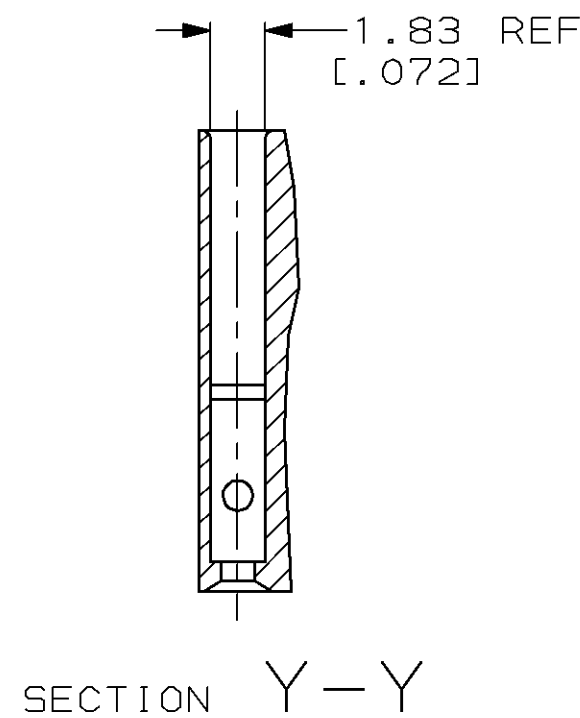
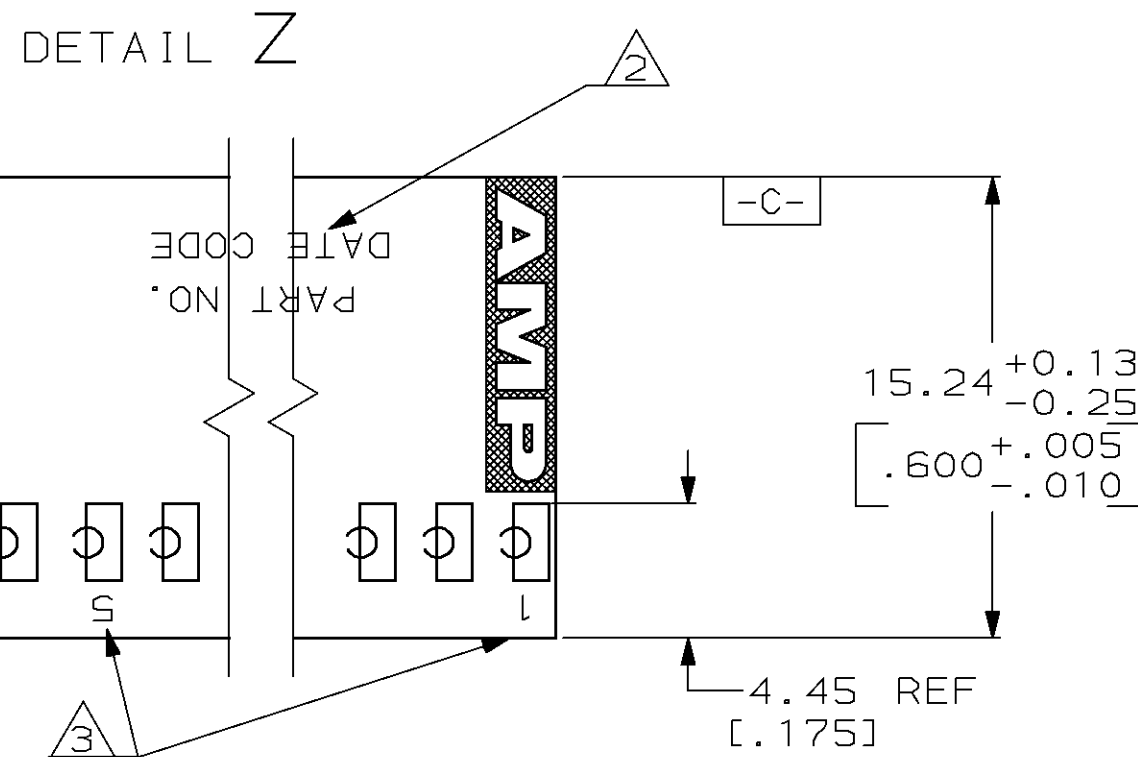
THIS DRAWING IS UNPUBLISHED. RELEASED FOR PUBLICATION
 © COPYRIGHT 19 BY AMP INCORPORATED. ALL INTERNATIONAL RIGHTS RESERVED.

MOD	Loc	DIST	P	F	ZONE	LTR	REVISIONS	DATE	APPD
30	AD	39				F	REV. PER 0310-0040-98	07/29/98	GB



BASIC DIMENSION FOR
ODD NUMBER OF SPACES
(SEE TABLE)

BASIC DIMENSION FOR
EVEN NUMBER OF SPACES
(SEE TABLE)



- USE EXTRACTION TOOL 91052-1 TO REMOVE RECEPTACLE CONTACTS.
- INK MARK PART NO. AND DATE CODE .062±.015 HIGH CHARACTERS, IN APPROXIMATE AREA SHOWN.
- INK MARK CAVITY IDENTIFICATION .046±.015 HIGH CHARACTERS, FIRST AND EVERY FIFTH CAVITY, ONE SIDE ONLY AS SHOWN.

NO. OF POSN	PART NUMBER	MARKING	UNMARKED IN PROCESS P/N	UNMARKED IN PROCESS P/N
6	104890-4	2 3	17.91 [0.705]	104890-5
4	104890-3	-	12.83 [0.505]	-
3	104890-2	-	10.29 [0.405]	-
5	104890-1	-	15.37 [0.605]	-

PART NO		NAME	
104890		HOUSING, MOD IV, SINGLE ROW, 2.54[0.100]Ø, CRIMP SNAP-IN	
SIZE	FSCM NO	DRAWING NO	
C	00779	104890	
SCALE	4:1	SHEET	1 OF 1