

4

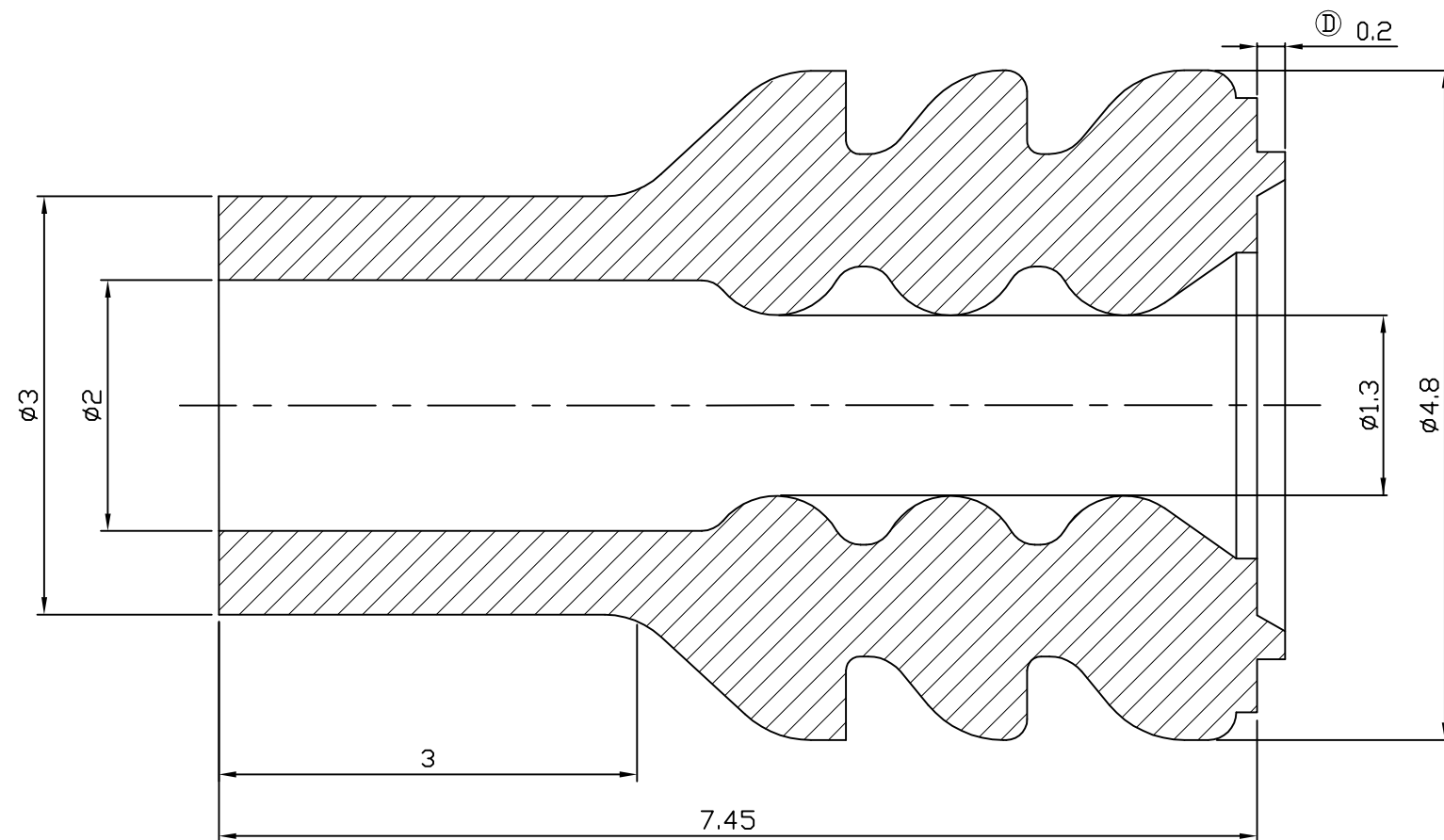
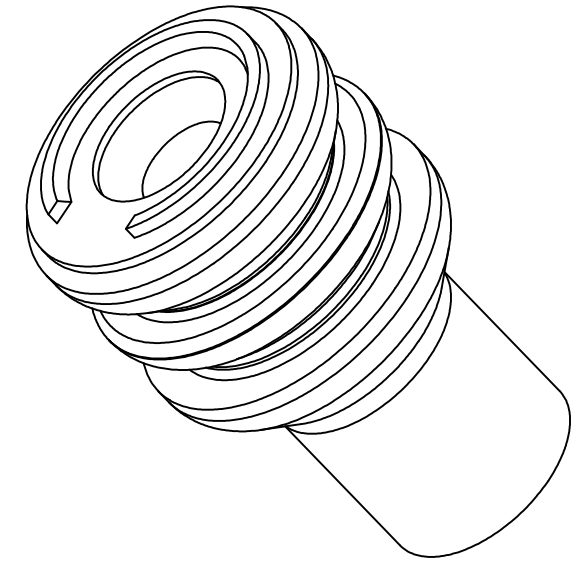
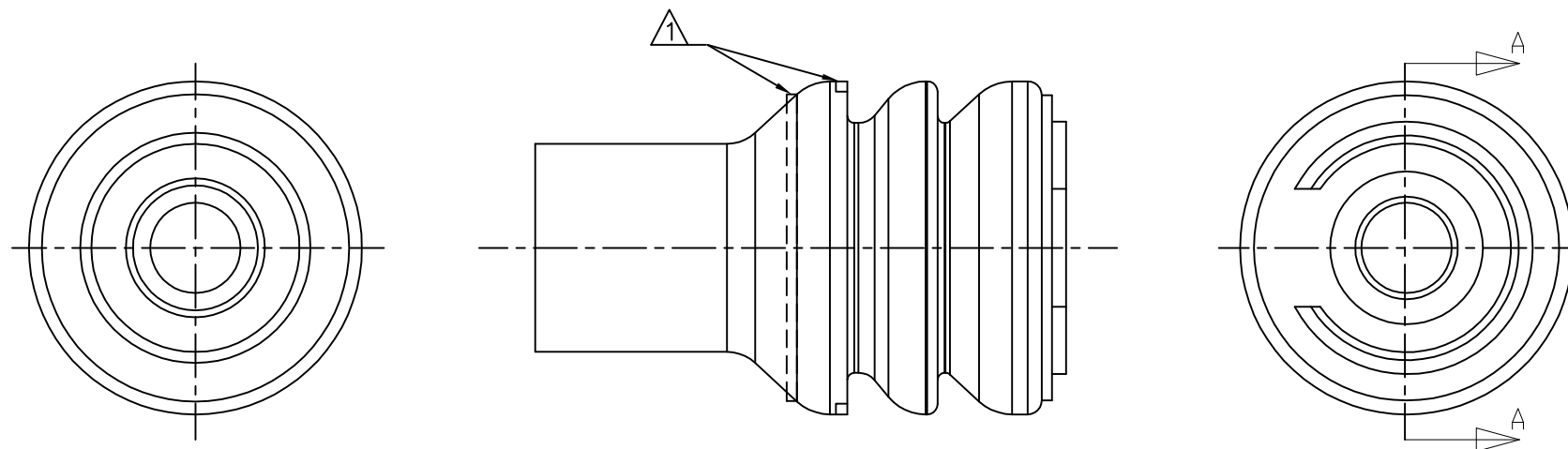
3

2

1

THIS DRAWING IS UNPUBLISHED. RELEASED FOR PUBLICATION
© COPYRIGHT BY TYCO ELECTRONICS CORPORATION, ALL RIGHTS RESERVED.

LOC	DIST	REVISIONS					
DS	-	P	LTR	DESCRIPTION	DATE	DWN	APVD
			E1	REVISED (ECR-13-002286)	06.FEB.'13	JM	HG



NOTES
 (E1) \triangle ACCEPTABLE OPTION FIGURE BY MANUFACTURING PROCESS BUT MUST BE NO PROBLEM IN FUNCTION.

COLOR	MATERIAL	DESCRIPTION	P/N
RED	SILICONE	WIRE SEAL FOR EJ MK-II(+)	368280-1
RED	SILICONE(LSR)	WIRE SEAL FOR EJ MK-II(+)	1-368280-1

SECTION A-A
(SCALE 20:1)

<small>THIS DRAWING IS A CONTROLLED DOCUMENT FOR TYCO ELECTRONICS CORPORATION IT IS SUBJECT TO CHANGE AND THE CONTROLLING ENGINEERING ORGANIZATION SHOULD BE CONTACTED FOR THE LATEST REVISION.</small>		DWN JM JEON CHK JW JUNG APVD HG CHD PRODUCT SPEC - APPLICATION SPEC - WEIGHT -		STE TE Connectivity NAME WIRE SEAL FOR EJ MK-II(+) CONN'R (INSULATION DIA: $\phi 1.7-2.4\text{mm}$)	
DIMENSIONS: MM 	TOLERANCES UNLESS OTHERWISE SPECIFIED: 0 <XX<10 ± 0.2 10<XX<30 ± 0.25 30<XX ± 0.3 ANGLES $\pm 3^\circ$	MATERIAL SEE TABLE FINISH	CUSTOMER DRAWING	SIZE A3 CAGE CODE 00779 DRAWING NO C-368280	RESTRICTED TO -
			SCALE 10/1	SHEET 1 OF 1	REV E1