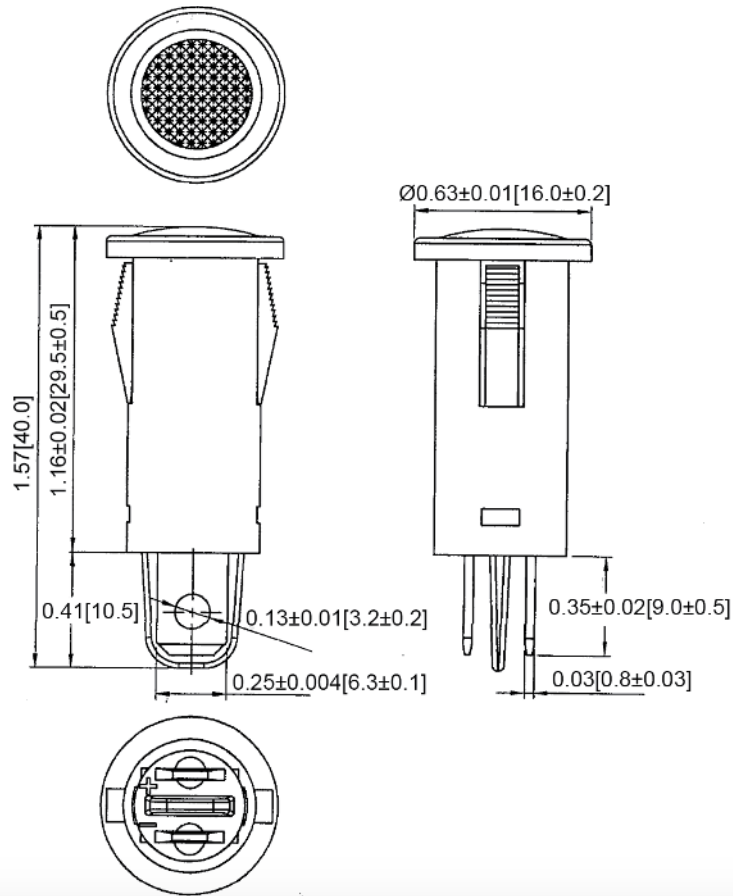


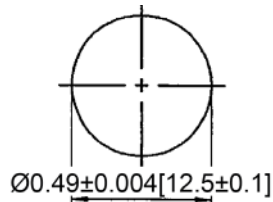
Mechanical Dimensions: Inches [mm]

Tolerances ± 0.012 [0.3] Unless Otherwise Specified

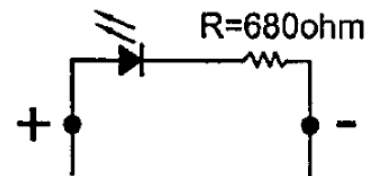


LED Color	Red
Lens Color	Red Clear

Mounting Hole



Circuit Diagram



Electrical Specifications

Voltage Rating	12VDC
Insulation Resistance	DC 500V 100M ohms
Dielectric Strength	AC 500V 1 min
Operating Temperature	-20°C ~ 85°C

Material Specifications

LED Size	5mm
Body	PC (UL94V-2)
Base	Nylon 66 + 33% Fiberglass
Terminal	Brass, Nickel Plated

Rev	Date of issue	Revision Notes	Designed	Approved
A	11-30-2020	Initial Drawing	RC	OF