



SUNON®



AC/EC Brushless Fan & Blower

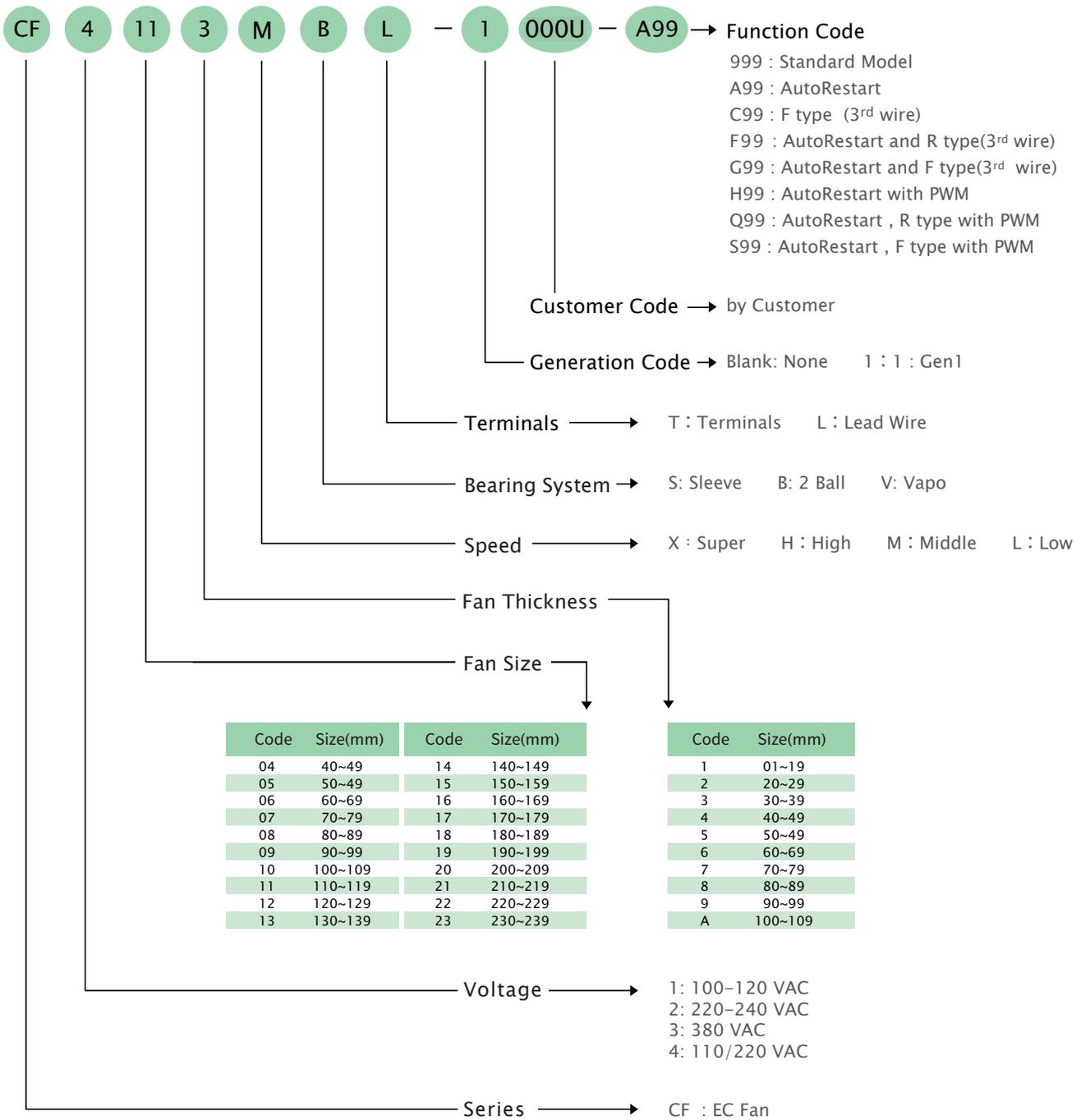
*All products are RoHS compliant.

Table of Contents

EC Fan Model Numbering System	01
AC Fan Model Numbering System	02

	Size (mm)	Air Flow (CFM)	Page
EC	60x60x25mm	17.5 ~ 18	03
EC	70x70x25mm	28 ~ 29	04
	80x80x25mm	17 ~ 22	05
EC	80x80x25mm	40 ~ 41	06
	80x80x38mm	23 ~ 31	07
	92x92x25mm	21 ~ 37	08
EC	92x92x25mm	52 ~ 54	09
	120x120x25mm (115V)	46 ~ 80	10
	120x120x25mm (220-240V)	46 ~ 80	11
EC	120x120x38mm (110-240V)	90.1~109	12
	120x120x38mm (115V)	70 ~ 117	13
	120x120x38mm (220-240V)	63 ~ 117	14
	120x120x38mm (Low Power Consumption)	54 ~ 85	15
	120x120x38mm	85 ~ 100	16
	120x120x38mm	95 ~ 117	17
	120x120x38mm (High Air Flow)	112 ~ 124	18
	120x120x38mm (Dual AC Voltage)	95 ~ 115	19
	120x120x38mm (Low Power Consumption)	49 ~ 50	20
	171x151x51mm	180 ~ 200	21
	171x151x51mm (Alveolate Motor)	203 ~ 239	22
	ø171x51mm (Alveolate Motor)	203 ~ 239	23
	176x176x89mm (Alveolate Motor)	315 ~ 335	24
EC	ø200x77.8mm	186 ~ 278.8	25
	ø254x89mm (Alveolate Motor)	425 ~ 870	26
	120x120x31mm (Blower)	20 ~ 22	27

■ EC Fan New Model Numbering System

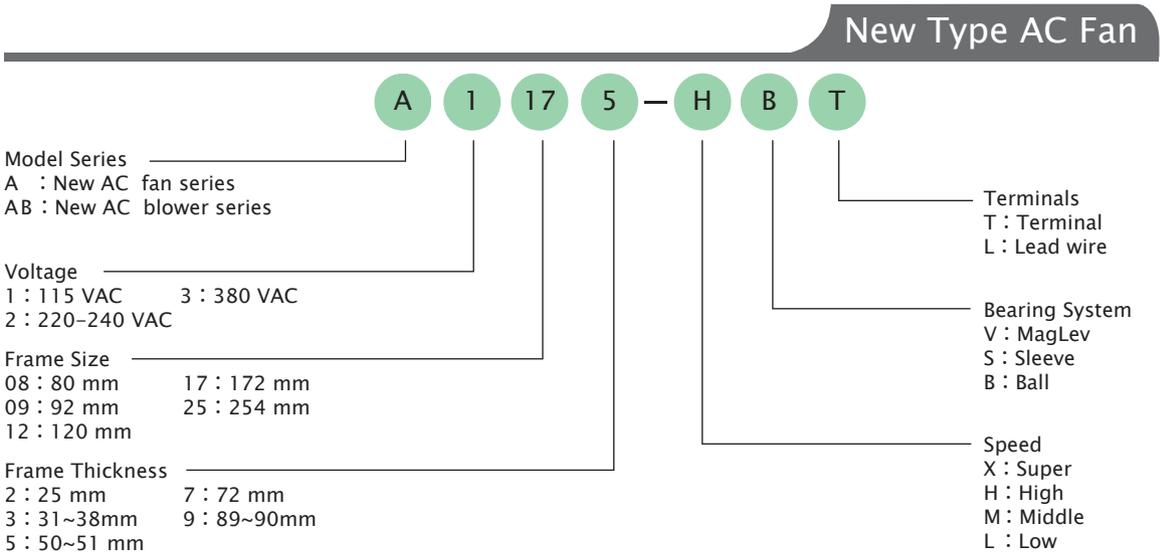
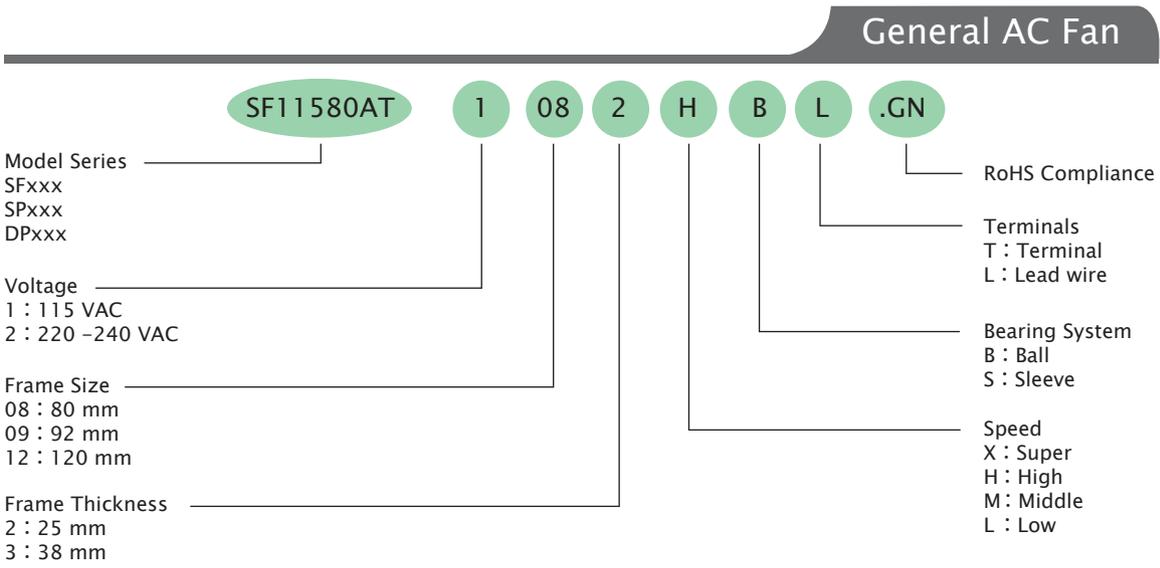


Certification



- ※ Note : For critical or extreme environments, including non stop operation, please contact SUNON and we will gladly provide assistance with your product selection to ensure an appropriate cooling product for your application.
- ※ Note : The "Life Expectancy" of the fan has not been evaluated for use in combination with any end application. Therefore, the Life Expectancy Test Reports(L10 and MTTF Report) that relate to the fan are only for reference.

■ AC Fan Model Numbering System



P/N P/N Suffixes have the following significance

- T Thermal Cutout
- TC Alveolate Motor with Thermal Cutout and Capacitor
- TC.R Round Frame , Alveolate Motor with Thermal Cutout and Capacitor
- N New frame
- GN RoHS compliance

※ Alveolate Motor only available in P/N : TC model

Certification



※ Note : For critical or extreme environments, including non stop operation, please contact SUNON and we will gladly provide assistance with your product selection to ensure an appropriate cooling product for your application.

※ Note : The “Life Expectancy” of the fan has not been evaluated for use in combination with any end application. Therefore, the Life Expectancy Test Reports(L10 and MTTF Report) that relate to the fan are only for reference.

60x60x25 mm

17.5~18.0 CFM



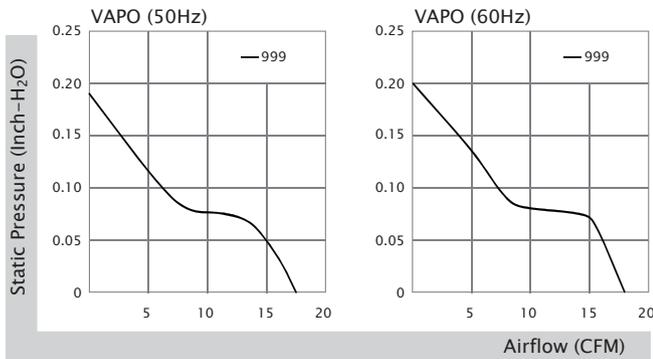
■ Specifications

	Bearing	Rating Voltage	Freq.	Power Current	Power Consumption	Speed	Air Flow	Static Pressure	Noise	Weight
	● VAPO ○ BALL ⊙ Sleeve	(VAC)	(Hz)	(AMP)	(WATTS)	(RPM)	(CFM)	(Inch-H ₂ O)	(dB(A))	(g)
CF1062HVL-1000U-999	●	100-120	50/60	0.224/0.220	2.7/2.8	4100/4200	17.5/18.0	0.19/0.20	30.0/31.0	76.6
CF2062HVL-1000U-999	●	200-240	50/60	0.276/0.292	3.3/3.6	4100/4200	17.5/18.0	0.19/0.20	30.0/31.0	76.6

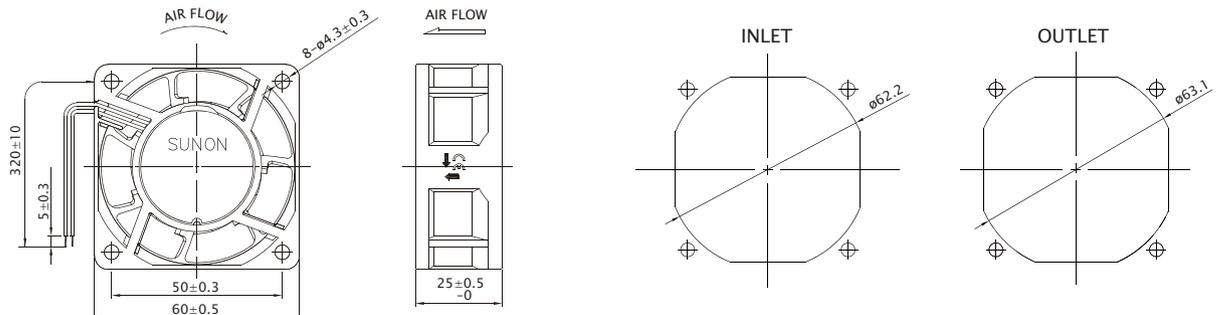
Frame : PBT Plastic

Safety : UKCA/CE/TUV/UL/CUL

■ Air Flow-Static Pressure Characteristics



■ External Dimensions(mm)



*All model could be customized. Please contact with SUNON sales.

*Specifications are subject to change without notice. Please visit SUNON website at www.sunon.com for update information.

70x70x25 mm

28.0~29.0 CFM



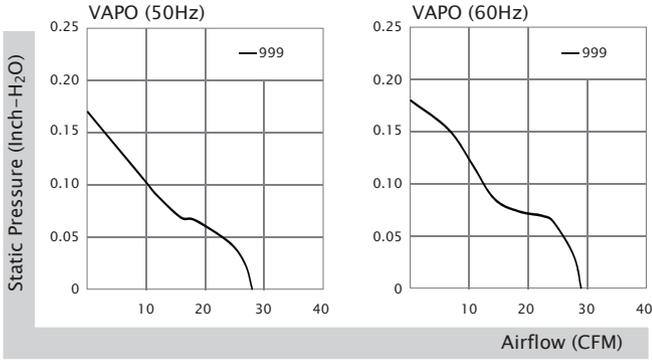
■ Specifications

	Bearing	Rating Voltage	Freq.	Power Current	Power Consumption	Speed	Air Flow	Static Pressure	Noise	Weight
	● VAPO ○ BALL ⊙ Sleeve	(VAC)	(Hz)	(AMP)	(WATTS)	(RPM)	(CFM)	(Inch-H ₂ O)	(dB(A))	(g)
CF1072HVL-1000U-999	●	100-120	50/60	0.241/0.235	3.0/3.1	3500/3600	28.0/29.0	0.17/0.18	30.0/31.0	85.4
CF2072HVL-1000U-999	●	200-240	50/60	0.293/0.304	3.6/3.9	3500/3600	28.0/29.0	0.17/0.18	30.0/31.0	85.4

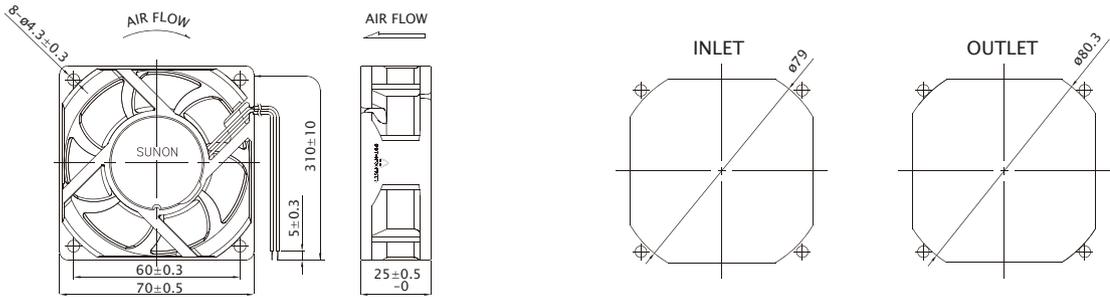
Frame : PBT Plastic

Safety : UKCA/CE/TUV/UL/CUL

■ Air Flow-Static Pressure Characteristics



■ External Dimensions(mm)



*All model could be customized. Please contact with SUNON sales.
 *Specifications are subject to change without notice. Please visit SUNON website at www.sunon.com for update information.

80x80x25 mm

17~22 CFM



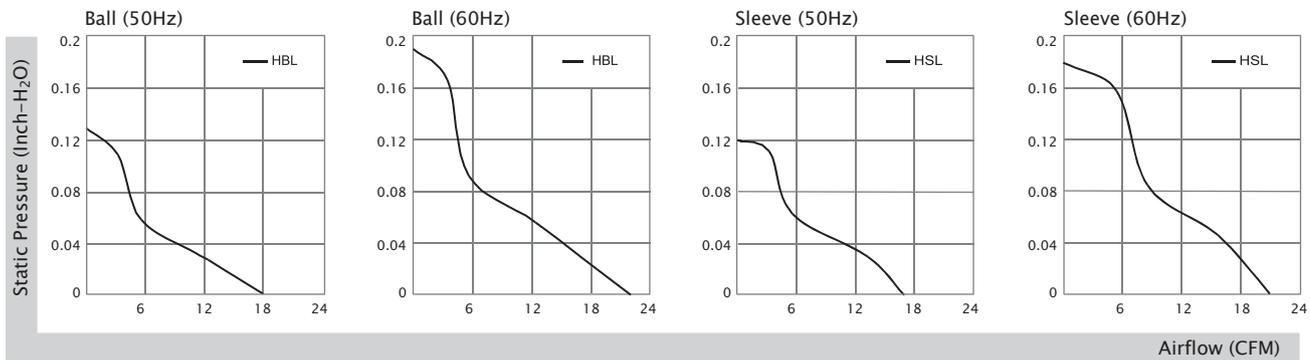
Specifications

Model	P/N	Bearing	Rating Voltage	Freq.	Power Current	Power Consumption	Speed	Air Flow	Static Pressure	Noise	Weight
		● VAPO ○ BALL ⊙ Sleeve	(VAC)	(Hz)	(AMP)	(WATTS)	(RPM)	(CFM)	(Inch-H ₂ O)	(dB(A))	(g)
SF11580AT	1082HSL.GN	⊙	115	50/60	0.12/0.10	12/11	2300/2750	17/21	0.12/0.18	29/33	260
SF11580AT	1082HBL.GN	○	115	50/60	0.12/0.10	12/11	2450/2900	18/22	0.13/0.19	30/34.5	260
SF23080AT	2082HSL.GN	⊙	220-240	50/60	0.07/0.07	14/13.5	2300/2750	17/21	0.12/0.18	29/33	260
SF23080AT	2082HBL.GN	○	220-240	50/60	0.07/0.07	14/13.5	2450/2900	18/22	0.13/0.19	30/34.5	260

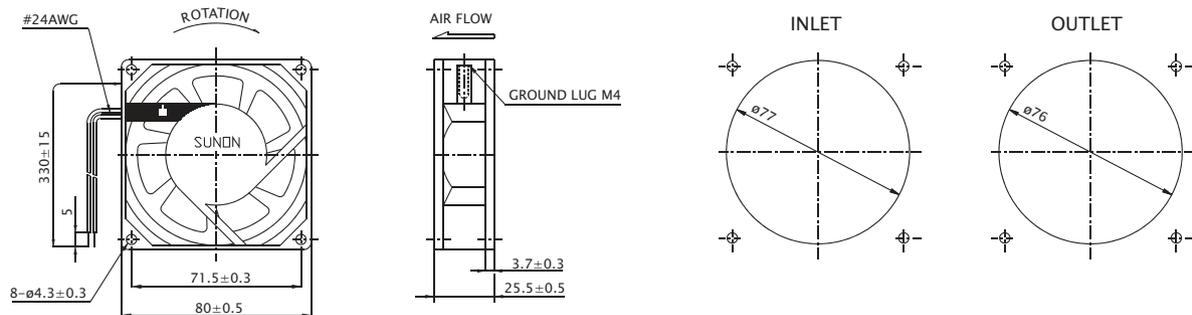
Frame : Aluminum alloy

Safety : UL-CUL/TUV NORD/CE/UKCA/CCC

Air Flow-Static Pressure Characteristics



External Dimensions(mm)



*All model could be customized. Please contact with SUNON sales.

*Specifications are subject to change without notice. Please visit SUNON website at www.sunon.com for update information.

80x80x25 mm

40.0~41.0 CFM



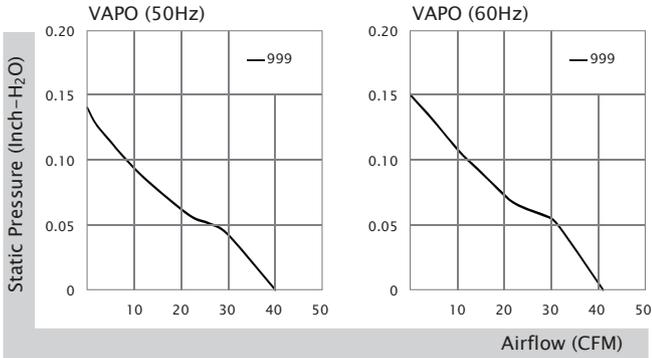
■ Specifications

	Bearing	Rating Voltage	Freq.	Power Current	Power Consumption	Speed	Air Flow	Static Pressure	Noise	Weight
	● VAPO ○ BALL ⊙ Sleeve	(VAC)	(Hz)	(AMP)	(WATTS)	(RPM)	(CFM)	(Inch-H ₂ O)	(dB(A))	(g)
CF1082HVL-1000U-999	●	100-120	50/60	0.221/0.211	3.2/3.3	3100/3200	40.0/41.0	0.14/0.15	32.0/33.0	99.3
CF2082HVL-1000U-999	●	200-240	50/60	0.242/0.255	3.6/3.9	3100/3200	40.0/41.0	0.14/0.15	32.0/33.0	99.3

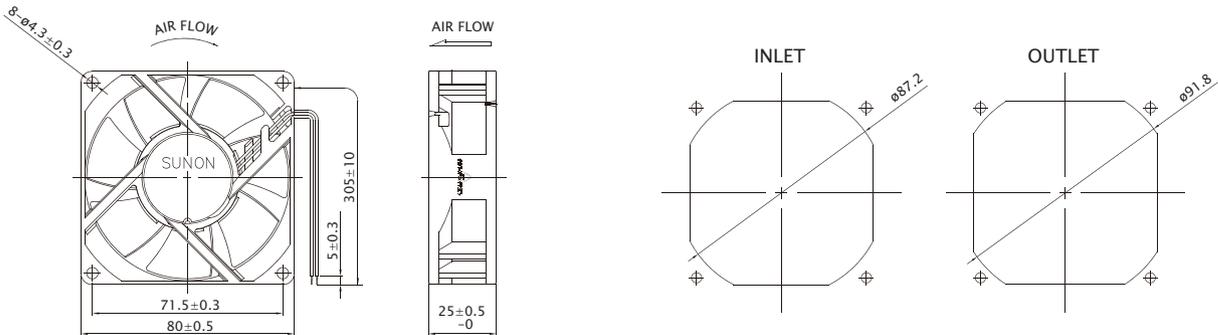
Frame : PBT Plastic

Safety : UKCA/CE/TUV/UL/CUL

■ Air Flow-Static Pressure Characteristics



■ External Dimensions(mm)



*All model could be customized. Please contact with SUNON sales.
 *Specifications are subject to change without notice. Please visit SUNON website at www.sunon.com for update information.

80x80x38 mm

23~31 CFM



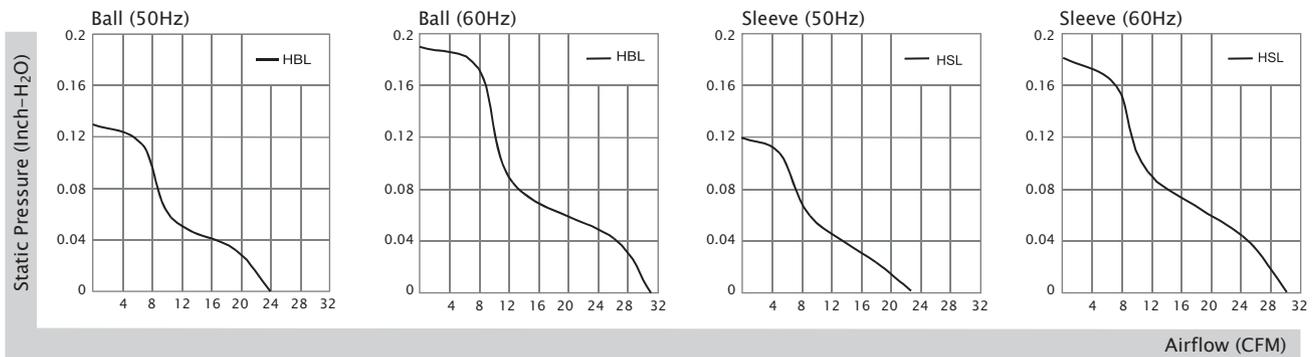
■ Specifications

Model	P/N	Bearing	Rating Voltage	Freq.	Power Current	Power Consumption	Speed	Air Flow	Static Pressure	Noise	Weight
		● VAPO ○ BALL ◎ Sleeve	(VAC)	(Hz)	(AMP)	(WATTS)	(RPM)	(CFM)	(Inch-H ₂ O)	(dB(A))	(g)
SF11580A	1083HSL.GN	◎	115	50/60	0.15/0.13	14/12	2300/2750	23/30	0.12/0.18	31/35	340
SF11580A	1083HBL.GN	○	115	50/60	0.15/0.13	14/12	2400/2850	24/31	0.13/0.19	32/36.5	340
SF23080A	2083HSL.GN	◎	220-240	50/60	0.09/0.08	18/16	2300/2750	23/30	0.12/0.18	31/35	340
SF23080A	2083HBL.GN	○	220-240	50/60	0.09/0.08	18/16	2400/2850	24/31	0.13/0.19	32/36.5	340

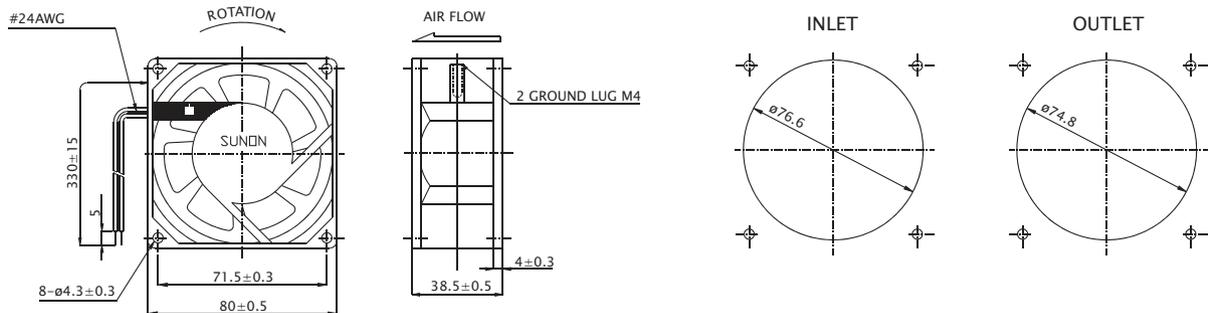
Frame : Aluminum alloy

Safety : UL-CUL/TUV NORD/CE/UKCA/CCC

■ Air Flow-Static Pressure Characteristics



■ External Dimensions(mm)



*All model could be customized. Please contact with SUNON sales.

*Specifications are subject to change without notice. Please visit SUNON website at www.sunon.com for update information.

92x92x25 mm

21~37 CFM



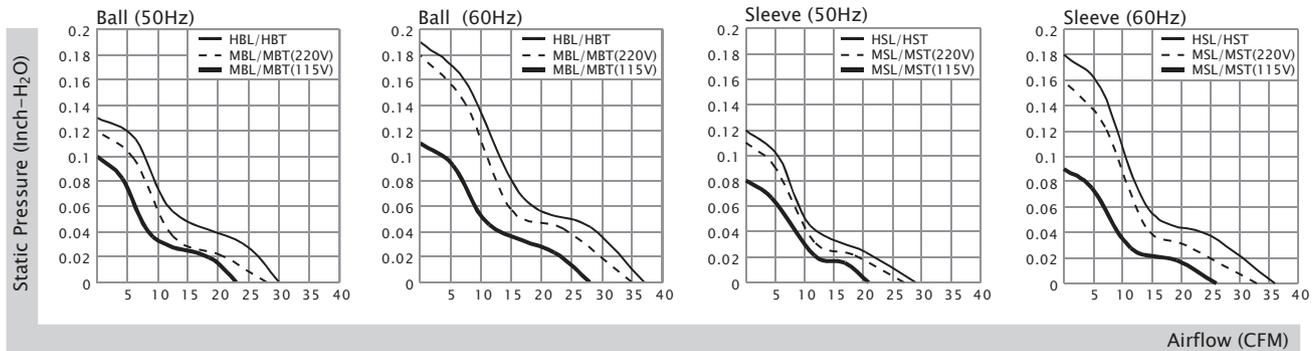
Specifications

Model	P/N	Bearing	Rating Voltage (VAC)	Freq. (Hz)	Power Current (AMP)	Power Consumption (WATTS)	Speed (RPM)	Air Flow (CFM)	Static Pressure (Inch-H ₂ O)	Noise (dB(A))	Weight (g)
		● VAPO ○ BALL ○ Sleeve									
SF11592A	1092HSL.GN	○	115	50/60	0.12/0.11	13/12	2250/2750	29/36	0.12/0.18	36/39	280
SF11592A	1092HST.GN	○	115	50/60	0.12/0.11	13/12	2250/2750	29/36	0.12/0.18	36/39	280
SF11592A	1092MSL.GN	○	115	50/60	0.06/0.06	7/6	1550/1700	21/26	0.08/0.09	28/30	280
SF11592A	1092MST.GN	○	115	50/60	0.06/0.06	7/6	1550/1700	21/26	0.08/0.09	28/30	280
SF11592A	1092HBL.GN	○	115	50/60	0.12/0.11	13/12	2350/2850	30/37	0.13/0.19	37/40	280
SF11592A	1092HBT.GN	○	115	50/60	0.12/0.11	13/12	2350/2850	30/37	0.13/0.19	37/40	280
SF11592A	1092MBL.GN	○	115	50/60	0.07/0.06	7/6	1800/2100	23/28	0.10/0.11	31/33	280
SF11592A	1092MBT.GN	○	115	50/60	0.07/0.06	7/6	1800/2100	23/28	0.10/0.11	31/33	280
SF23092A	2092HSL.GN	○	220-240	50/60	0.07/0.06	14.5/14	2250/2750	29/36	0.12/0.18	36/39	280
SF23092A	2092HST.GN	○	220-240	50/60	0.07/0.06	14.5/14	2250/2750	29/36	0.12/0.18	36/39	280
SF23092A	2092MSL.GN	○	220-240	50/60	0.07/0.07	15/14	2000/2500	27/33	0.11/0.16	32/37	280
SF23092A	2092MST.GN	○	220-240	50/60	0.07/0.07	15/14	2000/2500	27/33	0.11/0.16	32/37	280
SF23092A	2092HBL.GN	○	220-240	50/60	0.07/0.06	14.5/14	2350/2850	30/37	0.13/0.19	37/40	280
SF23092A	2092HBT.GN	○	220-240	50/60	0.07/0.06	14.5/14	2350/2850	30/37	0.13/0.19	37/40	280
SF23092A	2092MBL.GN	○	220-240	50/60	0.07/0.07	15/14	2200/2700	28/35	0.12/0.18	35/38	280
SF23092A	2092MBT.GN	○	220-240	50/60	0.07/0.07	15/14	2200/2700	28/35	0.12/0.18	35/38	280

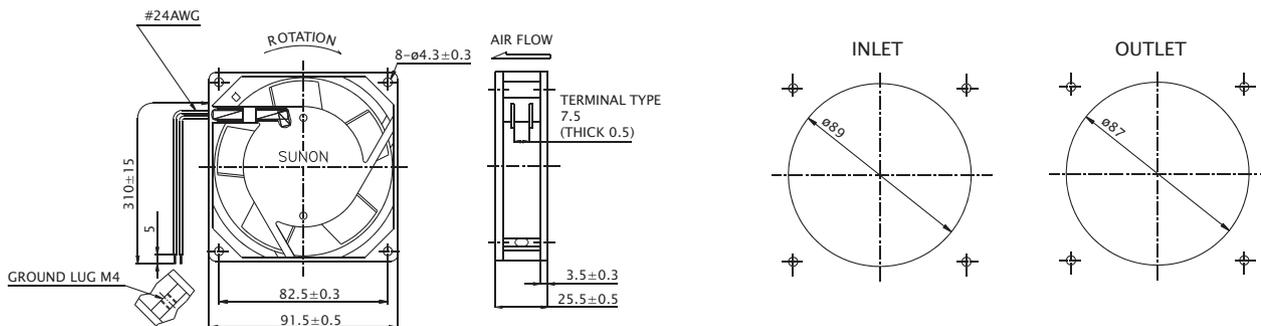
Frame : Aluminum alloy

Safety : UL-CUL/TUV NORD/CE/UKCA/CCC

Air Flow-Static Pressure Characteristics



External Dimensions(mm)



*All model could be customized. Please contact with SUNON sales.

*Specifications are subject to change without notice. Please visit SUNON website at www.sunon.com for update information.

92x92x25 mm

52.0~54.0 CFM



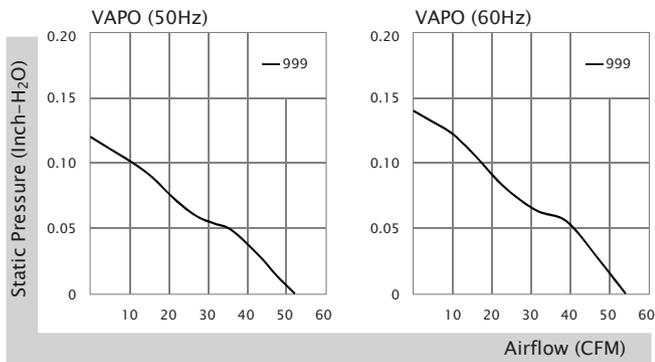
■ Specifications

	Bearing	Rating Voltage	Freq.	Power Current	Power Consumption	Speed	Air Flow	Static Pressure	Noise	Weight
	● VAPO ○ BALL ⊗ Sleeve	(VAC)	(Hz)	(AMP)	(WATTS)	(RPM)	(CFM)	(Inch-H ₂ O)	(dB(A))	(g)
CF1092HVL-1000U-999	●	100-120	50/60	0.240/0.230	3.3/3.4	2800/2900	52.0/54.0	0.12/0.14	31.0/32.0	110.4
CF2092HVL-1000U-999	●	200-240	50/60	0.249/0.264	3.8/4.2	2800/2900	52.0/54.0	0.12/0.14	31.0/32.0	110.4

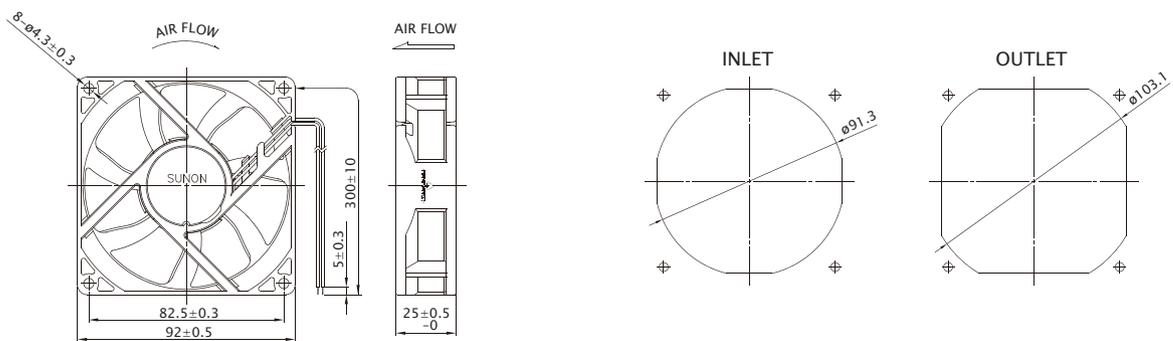
Frame : PBT Plastic

Safety : UKCA/CE/TUV/UL/CUL

■ Air Flow-Static Pressure Characteristics



■ External Dimensions(mm)



*All model could be customized. Please contact with SUNON sales.

*Specifications are subject to change without notice. Please visit SUNON website at www.sunon.com for update information.

120x120x25 mm

46~80 CFM



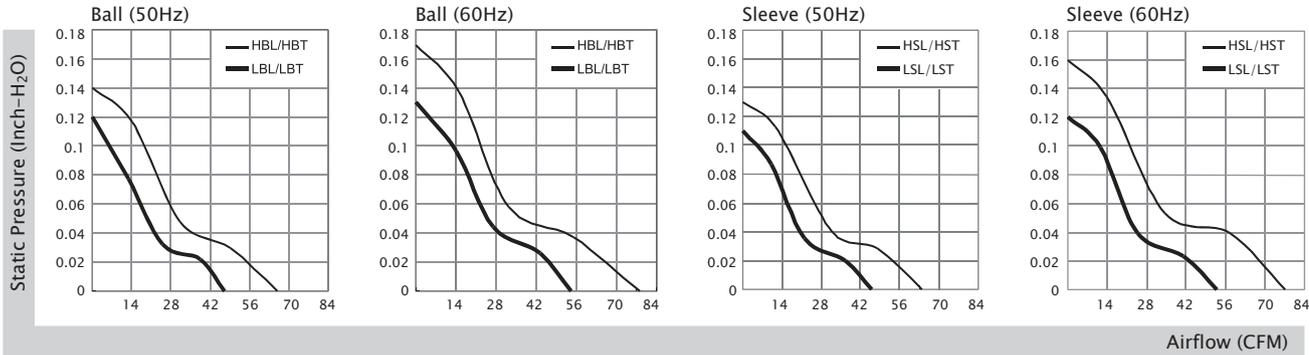
■ Specifications

Model	P/N	Bearing	Rating Voltage	Freq.	Power Current	Power Consumption	Speed	Air Flow	Static Pressure	Noise	Weight
		● VAPO ○ BALL ⊙ Sleeve	(VAC)	(Hz)	(AMP)	(WATTS)	(RPM)	(CFM)	(Inch-H ₂ O)	(dB(A))	(g)
SP101AT	1122HSL.GN	⊙	115	50/60	0.21/0.19	19/18	2000/2300	64/78	0.13/0.16	43/46	330
SP101AT	1122HST.GN	⊙	115	50/60	0.21/0.19	19/18	2000/2300	64/78	0.13/0.16	43/46	330
SP103AT	1122LSL.GN	⊙	115	50/60	0.14/0.13	14/13	1600/1800	46/53	0.11/0.12	35/38	330
SP103AT	1122LST.GN	⊙	115	50/60	0.14/0.13	14/13	1600/1800	46/53	0.11/0.12	35/38	330
SP101AT	1122HBL.GN	○	115	50/60	0.21/0.19	19/18	2150/2500	66/80	0.14/0.17	44/48	330
SP101AT	1122HBT.GN	○	115	50/60	0.21/0.19	19/18	2150/2500	66/80	0.14/0.17	44/48	330
SP103AT	1122LBL.GN	○	115	50/60	0.12/0.11	12.5/11.5	1700/1900	47/54	0.12/0.13	37/40	330
SP103AT	1122LBT.GN	○	115	50/60	0.12/0.11	12.5/11.5	1700/1900	47/54	0.12/0.13	37/40	330

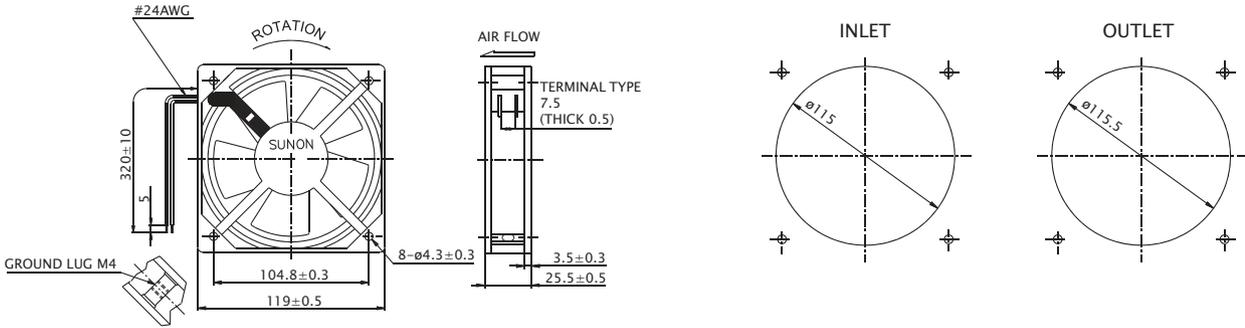
Frame : Aluminum alloy

Safety : UL-CUL/TUV/CE/UKCA/CCC

■ Air Flow-Static Pressure Characteristics



■ External Dimensions(mm)



*All model could be customized. Please contact with SUNON sales.
 *Specifications are subject to change without notice. Please visit SUNON website at www.sunon.com for update information.

120x120x25 mm

46~80 CFM



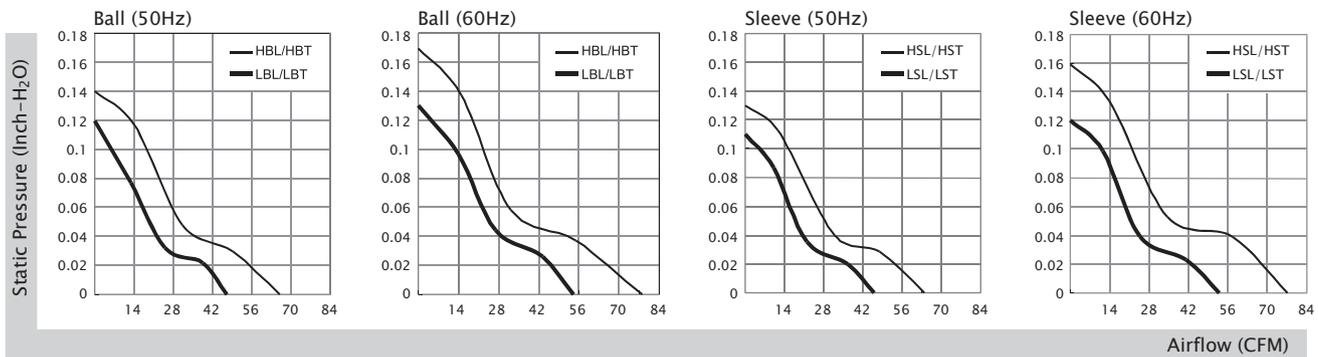
■ Specifications

Model	P/N	Bearing	Rating Voltage	Freq.	Power Current	Power Consumption	Speed	Air Flow	Static Pressure	Noise	Weight
		● VAPO ○ BALL ◎ Sleeve	(VAC)	(Hz)	(AMP)	(WATTS)	(RPM)	(CFM)	(Inch-H ₂ O)	(dB(A))	(g)
DP201AT	2122HSL.GN	◎	220/240	50/60	0.09/0.09	19/19	2000/2300	64/78	0.13/0.16	43/46	295
DP201AT	2122HST.GN	◎	220/240	50/60	0.09/0.09	19/19	2000/2300	64/78	0.13/0.16	43/46	295
DP203AT	2122LSL.GN	◎	220/240	50/60	0.07/0.07	14/13	1600/1800	46/53	0.11/0.12	35/38	330
DP203AT	2122LST.GN	◎	220/240	50/60	0.07/0.07	14/13	1600/1800	46/53	0.11/0.12	35/38	330
DP201AT	2122HBL.GN	○	220/240	50/60	0.09/0.09	18/16.5	2150/2500	66/80	0.14/0.17	44/48	295
DP201AT	2122HBT.GN	○	220/240	50/60	0.09/0.09	18/16.5	2150/2500	66/80	0.14/0.17	44/48	295
DP203AT	2122LBL.GN	○	220/240	50/60	0.07/0.07	14/13	1700/1900	47/54	0.12/0.13	37/40	330
DP203AT	2122LBT.GN	○	220/240	50/60	0.07/0.07	14/13	1700/1900	47/54	0.12/0.13	37/40	330

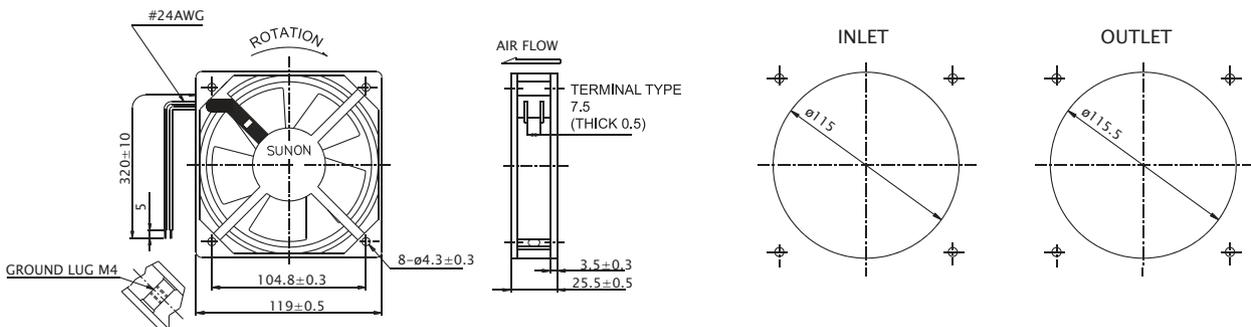
Frame : Aluminum alloy

Safety : UL-CUL/TUV/CE/UKCA/CCC

■ Air Flow-Static Pressure Characteristics



■ External Dimensions(mm)



*All model could be customized. Please contact with SUNON sales.

*Specifications are subject to change without notice. Please visit SUNON website at www.sunon.com for update information.

120x120x38 mm

90.1~109 CFM



■ Specifications

Model	Bearing	Rating Voltage	Freq.	Power Current	Power Consumption	Speed	Air Flow	Static Pressure	Noise	Weight
	● VAPO ○ BALL ◎ Sleeve	(VAC)	(Hz)	(AMP)	(WATTS)	(RPM)	(CFM)	(Inch-H ₂ O)	(dB(A))	(g)
CF4113HBL-1000U-A99	○	100-240	50 / 60	0.107 / 0.058	5.10	3600	109.0	0.37	44.9	265
CF4113HBT-1000U-A99	○	100-240	50 / 60	0.107 / 0.058	5.10	3600	109.0	0.37	44.9	265
CF4113MBL-1000U-A99	○	100-240	50 / 60	0.08 / 0.045	3.60	3100	90.1	0.31	40.2	265
CF4113MBT-1000U-A99	○	100-240	50 / 60	0.08 / 0.045	3.60	3100	90.1	0.31	40.2	265

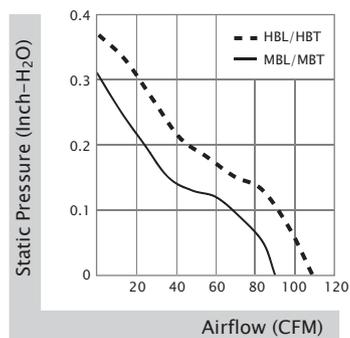
Frame : PBT Plastic

Safety : UKCA/CE/TUV/UL/CUL

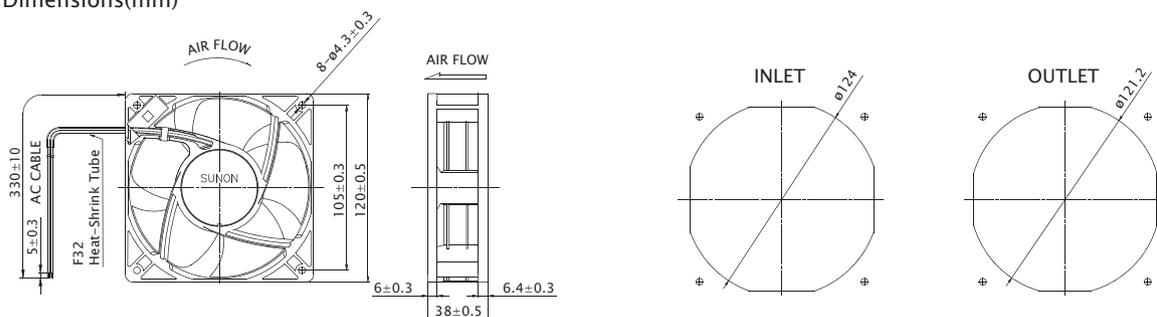
■ Function PWM : S99

■ Protection IP21 : AA9, SA9 IP55 : AB9, SB9

■ Air Flow-Static Pressure Characteristics



■ External Dimensions(mm)



*All model could be customized. Please contact with SUNON sales.

*Specifications are subject to change without notice. Please visit SUNON website at www.sunon.com for update information.

120x120x38 mm

70~117 CFM



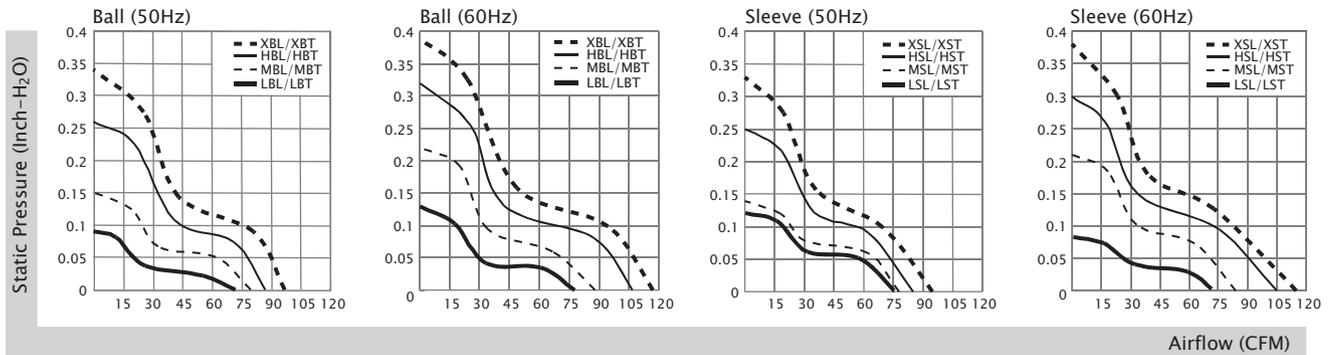
■ Specifications

Model	P/N	Bearing	Rating Voltage	Freq.	Power Current	Power Consumption	Speed	Air Flow	Static Pressure	Noise	Weight
		● VAPO ○ BALL ⊙ Sleeve	(VAC)	(Hz)	(AMP)	(WATTS)	(RPM)	(CFM)	(Inch-H ₂ O)	(dB(A))	(g)
SP100A	1123XSL.GN	⊙	115	50/60	0.26/0.24	22/20	2700/3100	95/115	0.33/0.38	44/49	550
SP100A	1123XST.GN	⊙	115	50/60	0.26/0.24	22/20	2700/3100	95/115	0.33/0.38	44/49	550
SP101A	1123HSL.GN	⊙	115	50/60	0.21/0.18	20/18	2550/2900	85/105	0.25/0.30	43/48	550
SP101A	1123HST.GN	⊙	115	50/60	0.21/0.18	20/18	2550/2900	85/105	0.25/0.30	43/48	550
SP102A	1123MSL.GN	⊙	115	50/60	0.17/0.16	15/15	2400/2600	78/84	0.14/0.21	33/38	550
SP102A	1123MST.GN	⊙	115	50/60	0.17/0.16	15/15	2400/2600	78/84	0.14/0.21	33/38	550
SP103A	1123LSL.GN	⊙	115	50/60	0.13/0.11	11/11	2200/2000	76/70	0.12/0.08	38/36	550
SP103A	1123LST.GN	⊙	115	50/60	0.13/0.11	11/11	2200/2000	76/70	0.12/0.08	38/36	550
SP100A	1123XBL.GN	○	115	50/60	0.26/0.24	22/20	2850/3150	97/117	0.34/0.39	45/50	550
SP100A	1123XBT.GN	○	115	50/60	0.26/0.24	22/20	2850/3150	97/117	0.34/0.39	45/50	550
SP101A	1123HBL.GN	○	115	50/60	0.21/0.18	20/18	2750/3050	87/107	0.26/0.32	45/50	550
SP101A	1123HBT.GN	○	115	50/60	0.21/0.18	20/18	2750/3050	87/107	0.26/0.32	45/50	550
SP102A	1123MBL.GN	○	115	50/60	0.17/0.16	16/15	2500/2700	80/88	0.15/0.22	35/40	550
SP102A	1123MBT.GN	○	115	50/60	0.17/0.16	16/15	2500/2700	80/88	0.15/0.22	35/40	550
SP103A	1123LBL.GN	○	115	50/60	0.13/0.11	11/11	2150/2300	72/78	0.09/0.13	37/39	550
SP103A	1123LBT.GN	○	115	50/60	0.13/0.11	11/11	2150/2300	72/78	0.09/0.13	37/39	550

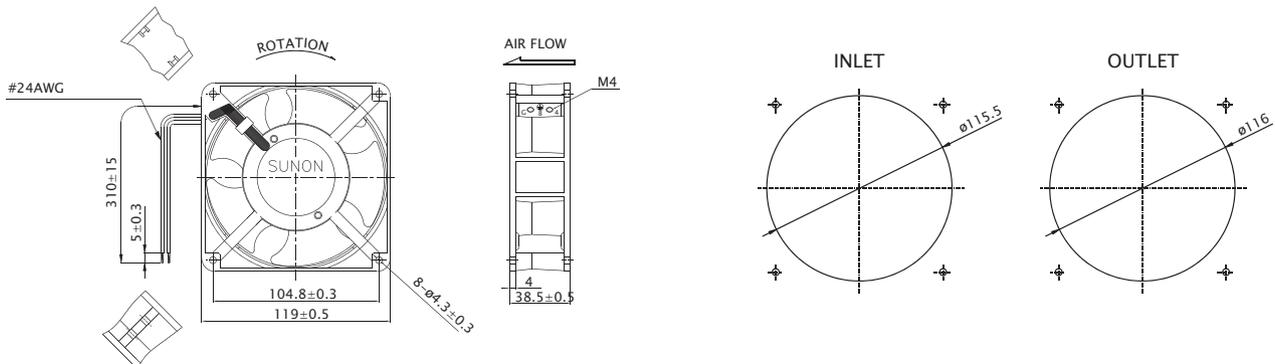
Frame : Aluminum alloy

Safety : UL-CUL/TUV/CE/UKCA/CCC

■ Air Flow-Static Pressure Characteristics



■ External Dimensions(mm)



*All model could be customized. Please contact with SUNON sales.

*Specifications are subject to change without notice. Please visit SUNON website at www.sunon.com for update information.

120x120x38 mm

63~117 CFM



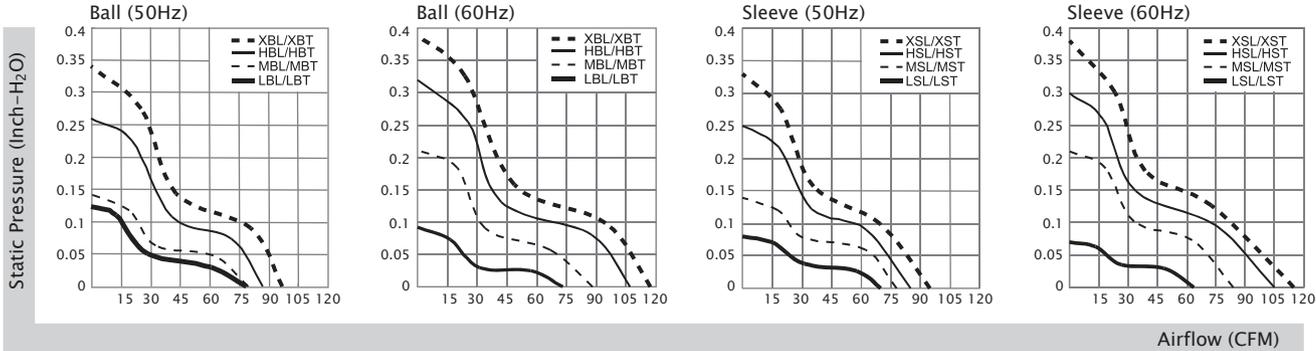
■ Specifications

Model	P/N	Bearing ● VAPO ○ BALL ◎ Sleeve	Rating Voltage (VAC)	Freq. (Hz)	Power Current (AMP)	Power Consumption (WATTS)	Speed (RPM)	Air Flow (CFM)	Static Pressure (Inch-H ₂ O)	Noise (dB(A))	Weight (g)
DP200A	2123XSL.GN	◎	220-240	50/60	0.14/0.12	22/21	2700/3100	95/115	0.33/0.38	44/49	550
DP200A	2123XST.GN	◎	220-240	50/60	0.14/0.12	22/21	2700/3100	95/115	0.33/0.38	44/49	550
DP201A	2123HSL.GN	◎	220-240	50/60	0.125/0.11	20/19	2550/2900	85/105	0.25/0.30	43/48	550
DP201A	2123HST.GN	◎	220-240	50/60	0.125/0.11	20/19	2550/2900	85/105	0.25/0.30	43/48	550
DP202A	2123MSL.GN	◎	220-240	50/60	0.09/0.08	16/15	2300/2500	78/84	0.14/0.21	33/38	550
DP202A	2123MST.GN	◎	220-240	50/60	0.09/0.08	16/15	2300/2500	78/84	0.14/0.21	33/38	550
DP203A	2123LSL.GN	◎	220-240	50/60	0.06/0.05	11/10	2000/1800	70/63	0.08/0.07	36/32	550
DP203A	2123LST.GN	◎	220-240	50/60	0.06/0.05	11/10	2000/1800	70/63	0.08/0.07	36/32	550
DP200A	2123XBL.GN	○	220-240	50/60	0.14/0.12	22/21	2850/3150	97/117	0.34/0.39	45/50	550
DP200A	2123XBT.GN	○	220-240	50/60	0.14/0.12	22/21	2850/3150	97/117	0.34/0.39	45/50	550
DP201A	2123HBL.GN	○	220-240	50/60	0.125/0.11	20/19	2750/3050	87/107	0.26/0.32	45/50	550
DP201A	2123HBT.GN	○	220-240	50/60	0.125/0.11	20/19	2750/3050	87/107	0.26/0.32	45/50	550
DP202A	2123MBL.GN	○	220-240	50/60	0.09/0.08	16/15	2400/2600	78/84	0.14/0.21	34/39	550
DP202A	2123MBT.GN	○	220-240	50/60	0.09/0.08	16/15	2400/2600	78/84	0.14/0.21	34/39	550
DP203A	2123LBL.GN	○	220-240	50/60	0.05/0.06	10/10	2300/2150	78/72	0.13/0.09	39/37	550
DP203A	2123LBT.GN	○	220-240	50/60	0.05/0.06	10/10	2300/2150	78/72	0.13/0.09	39/37	550

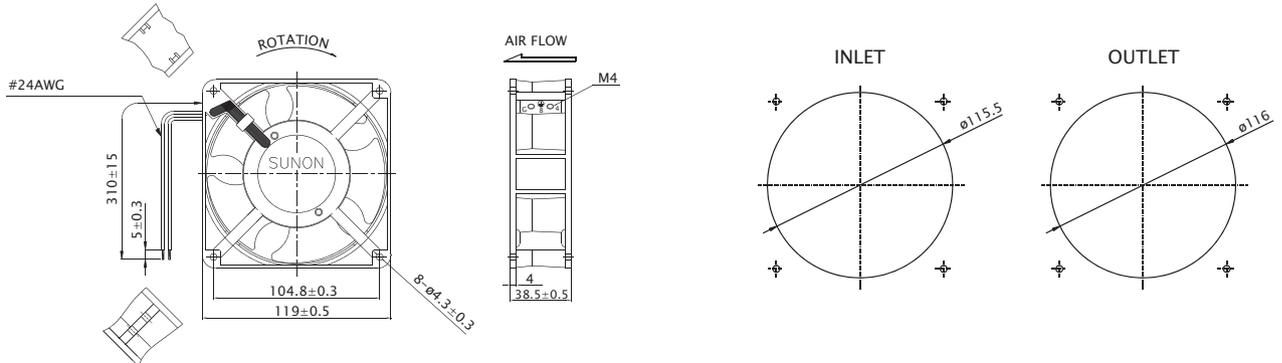
Frame : Aluminum alloy

Safety : UL-CUL/TUV/CE/UKCA/CCC

■ Air Flow-Static Pressure Characteristics



■ External Dimensions(mm)



*All model could be customized. Please contact with SUNON sales.
 *Specifications are subject to change without notice. Please visit SUNON website at www.sunon.com for update information.

120x120x38 mm

Low Power Consumption

54~85 CFM



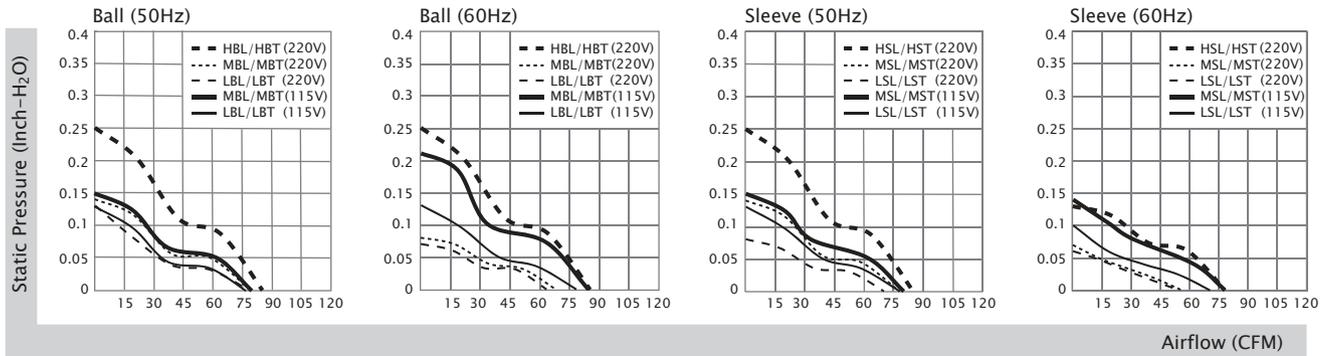
■ Specifications

Model	P/N	Bearing ● VAPO ○ BALL ◎ Sleeve	Rating Voltage (VAC)	Freq. (Hz)	Power Current (AMP)	Power Consumption (WATTS)	Speed (RPM)	Air Flow (CFM)	Static Pressure (Inch-H ₂ O)	Noise (dB(A))	Weight (g)
SP102A	1123MSL.S.GN	◎	115	50/60	0.150/0.140	12.2/11.6	2500/2400	80/78	0.15/0.14	42/41	460
SP102A	1123MST.S.GN	◎	115	50/60	0.150/0.140	12.2/11.6	2500/2400	80/78	0.15/0.14	42/41	460
SP103A	1123LSL.S.GN	◎	115	50/60	0.140/0.125	11.8/10.9	2250/2100	76/70	0.12/0.10	39/37	460
SP103A	1123LST.S.GN	◎	115	50/60	0.140/0.125	11.8/10.9	2250/2100	76/70	0.12/0.10	39/37	460
SP102A	1123MBL.S.GN	○	115	50/60	0.150/0.140	12.2/12.0	2500/2600	80/84	0.15/0.21	43/43	460
SP102A	1123MBT.S.GN	○	115	50/60	0.150/0.140	12.2/12.0	2500/2600	80/84	0.15/0.21	43/43	460
SP103A	1123LBL.S.GN	○	115	50/60	0.136/0.122	11.5/10.6	2300/2350	77/78	0.13/0.13	39/39	460
SP103A	1123LBT.S.GN	○	115	50/60	0.136/0.122	11.5/10.6	2300/2350	77/78	0.13/0.13	39/39	460
DP201A	2123HSL.S.GN	◎	220-240	50/60	0.069/0.070	10.8/10.4	2550/2300	85/78	0.25/0.13	43/42	480
DP201A	2123HST.S.GN	◎	220-240	50/60	0.069/0.070	10.8/10.4	2550/2300	85/78	0.25/0.13	43/42	480
DP202A	2123MSL.S.GN	◎	220-240	50/60	0.057/0.055	9.9/9.8	2300/1550	78/56	0.13/0.07	41/31	480
DP202A	2123MST.S.GN	◎	220-240	50/60	0.057/0.055	9.9/9.8	2300/1550	78/56	0.13/0.07	41/31	480
DP203A	2123LSL.S.GN	◎	220-240	50/60	0.055/0.047	8.3/7.9	2000/1500	70/54	0.08/0.06	36/31	480
DP203A	2123LST.S.GN	◎	220-240	50/60	0.055/0.047	8.3/7.9	2000/1500	70/54	0.08/0.06	36/31	480
DP201A	2123HBL.S.GN	○	220-240	50/60	0.069/0.065	10.8/10.4	2550/2550	85/85	0.25/0.25	44/45	480
DP201A	2123HBT.S.GN	○	220-240	50/60	0.069/0.065	10.8/10.4	2550/2550	85/85	0.25/0.25	44/45	480
DP202A	2123MBL.S.GN	○	220-240	50/60	0.057/0.056	9.9/9.6	2400/1950	79/68	0.14/0.08	42/38	480
DP202A	2123MBT.S.GN	○	220-240	50/60	0.057/0.056	9.9/9.6	2400/1950	79/68	0.14/0.08	42/38	480
DP203A	2123LBL.S.GN	○	220-240	50/60	0.048/0.045	8.2/7.6	2300/1850	78/63	0.13/0.07	39/35	480
DP203A	2123LBT.S.GN	○	220-240	50/60	0.048/0.045	8.2/7.6	2300/1850	78/63	0.13/0.07	39/35	480

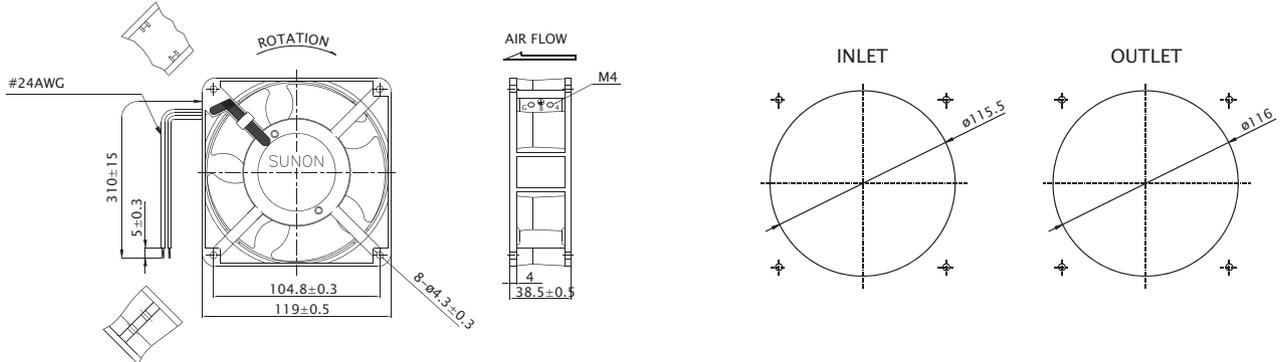
Frame : Aluminum alloy

Safety : UL-CUL/TUV/CE/UKCA/CCC

■ Air Flow-Static Pressure Characteristics



■ External Dimensions(mm)



*All model could be customized. Please contact with SUNON sales.

*Specifications are subject to change without notice. Please visit SUNON website at www.sunon.com for update information.

120x120x38 mm

85~100 CFM



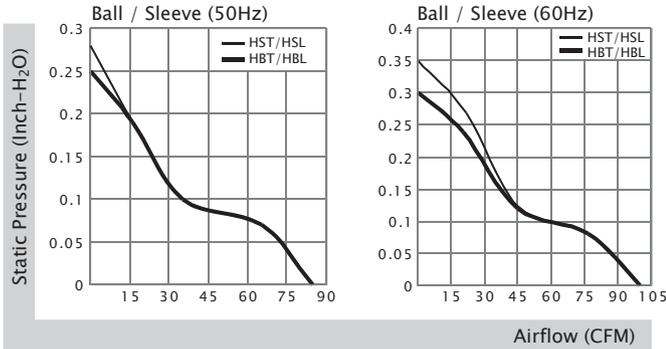
■ Specifications

Model	P/N	Bearing	Rating Voltage	Freq.	Power Current	Power Consumption	Speed	Air Flow	Static Pressure	Noise	Weight
		● VAPO ○ BALL ◎ Sleeve	(VAC)	(Hz)	(AMP)	(WATTS)	(RPM)	(CFM)	(Inch-H ₂ O)	(dB(A))	(g)
SP109WR	1123HST.GN	◎	115	50/60	0.25/0.22	22/20	2500/2900	85/100	0.28/0.35	41/47	465
SP109WR	1123HSL.GN	◎	115	50/60	0.25/0.22	22/20	2500/2900	85/100	0.28/0.35	41/47	465
SP109WR	1123HBT.GN	○	115	50/60	0.25/0.22	22/20	2500/2900	85/100	0.25/0.30	42/48	465
SP109WR	1123HBL.GN	○	115	50/60	0.25/0.22	22/20	2500/2900	85/100	0.25/0.30	42/48	465
DP209WR	2123HST.GN	◎	220-240	50/60	0.13/0.12	22/21	2500/2900	85/100	0.28/0.35	41/47	465
DP209WR	2123HSL.GN	◎	220-240	50/60	0.13/0.12	22/21	2500/2900	85/100	0.28/0.35	41/47	465
DP209WR	2123HBT.GN	○	220-240	50/60	0.13/0.12	22/21	2500/2900	85/100	0.25/0.30	42/48	465
DP209WR	2123HBL.GN	○	220-240	50/60	0.13/0.12	22/21	2500/2900	85/100	0.25/0.30	42/48	465

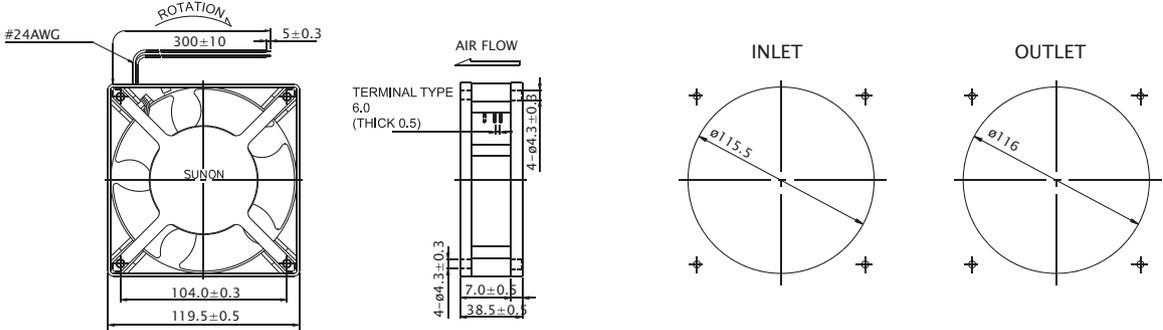
Frame : PBT Plastic

Safety : UL-CUL/TUV/CE/UKCA/CCC

■ Air Flow-Static Pressure Characteristics



■ External Dimensions(mm)



*All model could be customized. Please contact with SUNON sales.
 *Specifications are subject to change without notice. Please visit SUNON website at www.sunon.com for update information.

120x120x38 mm

95~117 CFM



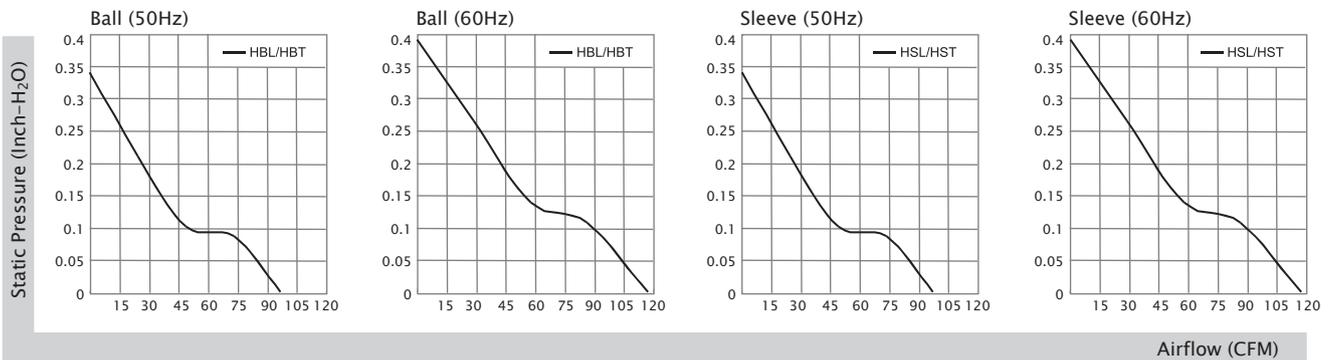
Specifications

Model	P/N	Bearing	Rating Voltage	Freq.	Power Current	Power Consumption	Speed	Air Flow	Static Pressure	Noise	Weight
		● VAPO ○ BALL ⊙ Sleeve	(VAC)	(Hz)	(AMP)	(WATTS)	(RPM)	(CFM)	(Inch-H ₂ O)	(dB(A))	(g)
A1123-HST	GN	⊙	115	50/60	0.28/0.25	23/20	2700/3100	95/115	0.33/0.38	44/49	525
A1123-HSL	GN	⊙	115	50/60	0.28/0.25	23/20	2700/3100	95/115	0.33/0.38	44/49	525
A1123-HBT	GN	○	115	50/60	0.28/0.25	23/20	2700/3100	97/117	0.34/0.39	45/50	525
A1123-HBL	GN	○	115	50/60	0.28/0.25	23/20	2700/3100	97/117	0.34/0.39	45/50	525
A2123-HST	GN	⊙	220-240	50/60	0.14/0.12	23/20	2700/3100	95/115	0.33/0.38	44/49	525
A2123-HSL	GN	⊙	220-240	50/60	0.14/0.12	23/20	2700/3100	95/115	0.33/0.38	44/49	525
A2123-HBT	GN	○	220-240	50/60	0.14/0.12	23/20	2700/3100	97/117	0.34/0.39	45/50	525
A2123-HBL	GN	○	220-240	50/60	0.14/0.12	23/20	2700/3100	97/117	0.34/0.39	45/50	525

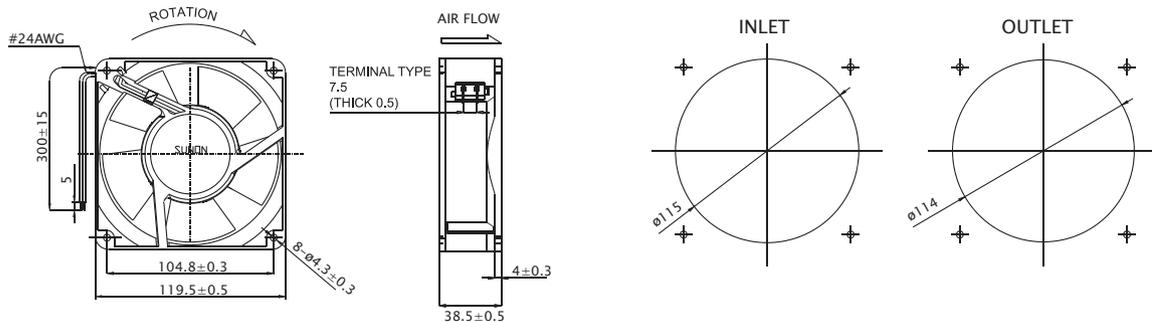
Frame : Aluminum alloy

Safety : UL-CUL/TUV/CE/UKCA/CCC

Air Flow-Static Pressure Characteristics



External Dimensions(mm)



*All model could be customized. Please contact with SUNON sales.

*Specifications are subject to change without notice. Please visit SUNON website at www.sunon.com for update information.

120x120x38 mm

High Air Flow

112~124 CFM



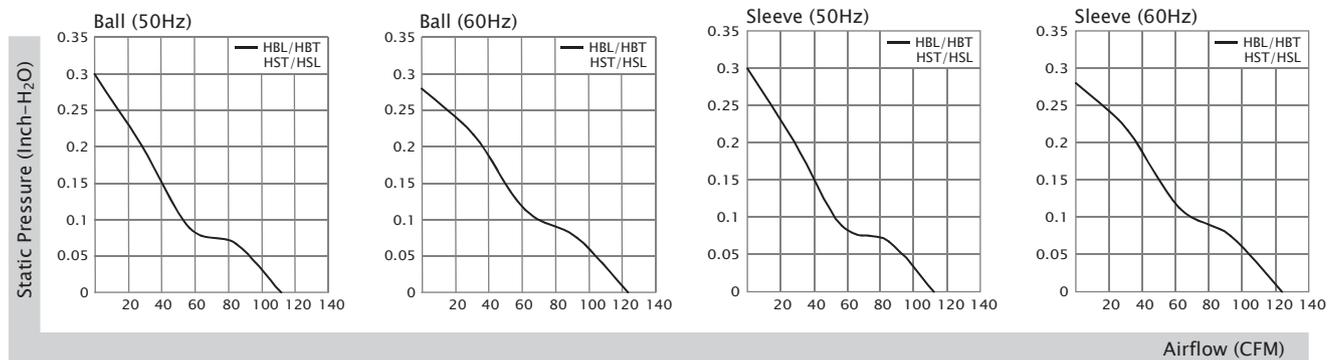
Specifications

Model	P/N	Bearing	Rating Voltage	Freq.	Power Current	Power Consumption	Speed	Air Flow	Static Pressure	Noise	Weight
		● VAPO ○ BALL ◎ Sleeve	(VAC)	(Hz)	(AMP)	(WATTS)	(RPM)	(CFM)	(Inch-H ₂ O)	(dB(A))	(g)
A1123-HST	(7).GN	◎	115	50/60	0.28/0.25	23/21	2500/2750	112/124	0.30/0.28	43/46	525
A1123-HSL	(7).GN	◎	115	50/60	0.28/0.25	23/21	2500/2750	112/124	0.30/0.28	43/46	525
A1123-HBT	(7).GN	○	115	50/60	0.28/0.25	23/21	2500/2750	112/124	0.30/0.28	44/47	525
A1123-HBL	(7).GN	○	115	50/60	0.28/0.25	23/21	2500/2750	112/124	0.30/0.28	44/47	525
A2123-HST	(7).GN	◎	220-240	50/60	0.14/0.12	24/22	2500/2750	112/124	0.30/0.28	43/46	525
A2123-HSL	(7).GN	◎	220-240	50/60	0.14/0.12	24/22	2500/2750	112/124	0.30/0.28	43/46	525
A2123-HBT	(7).GN	○	220-240	50/60	0.14/0.12	24/22	2500/2750	112/124	0.30/0.28	44/47	525
A2123-HBL	(7).GN	○	220-240	50/60	0.14/0.12	24/22	2500/2750	112/124	0.30/0.28	44/47	525

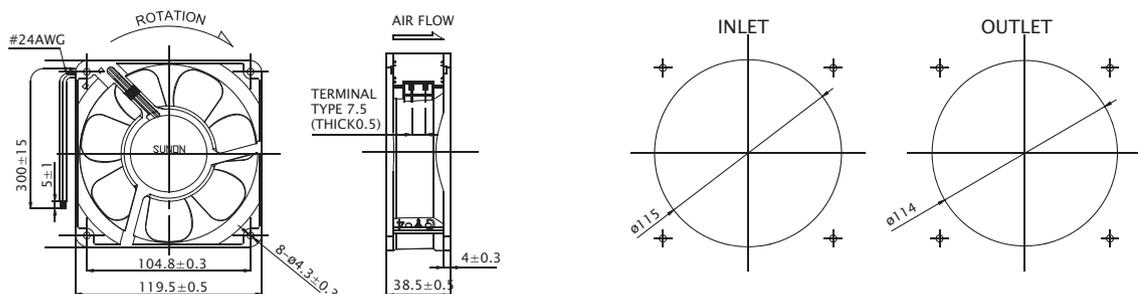
Frame : Aluminum alloy

Safety : UL-CUL/TUV/CE/UKCA/CCC

Air Flow-Static Pressure Characteristics



External Dimensions(mm)



*All model could be customized. Please contact with SUNON sales.

*Specifications are subject to change without notice. Please visit SUNON website at www.sunon.com for update information.

120x120x38 mm

Dual AC Voltage

95~115 CFM



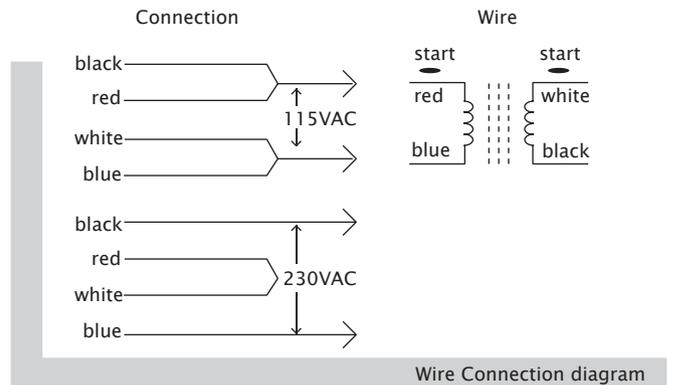
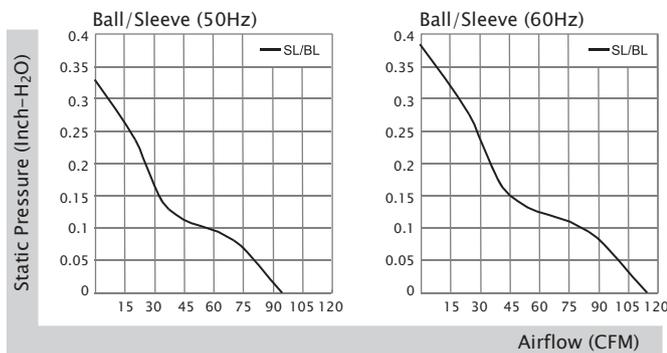
Specifications

Model	P/N	Bearing ● VAPO ○ BALL ◎ Sleeve	Rating Voltage	Freq.	Power Current	Power Consumption	Speed	Air Flow	Static Pressure	Noise	Weight
			(VAC)	(Hz)	(AMP)	(WATTS)	(RPM)	(CFM)	(Inch-H ₂ O)	(dB(A))	(g)
SF1212AD	SL.GN	◎	115	50/60	0.27/0.24	21.5/19	2700/3100	95/115	0.33/0.38	44/49	550
			220-240	50/60	0.13/0.12	19.5/19	2700/3100	95/115	0.33/0.38	44/49	550
SF1212AD	BL.GN	○	115	50/60	0.27/0.24	21.5/19	2700/3100	95/115	0.33/0.38	44/49	550
			220-240	50/60	0.13/0.12	19.5/19	2700/3100	95/115	0.33/0.38	44/49	550

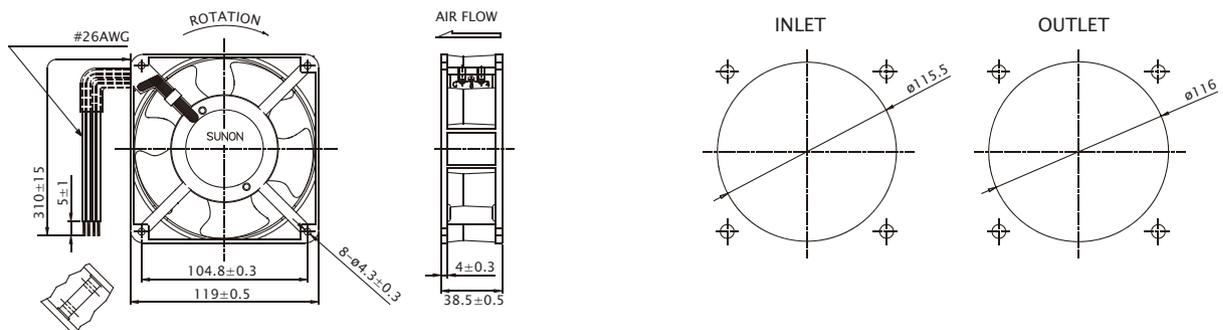
Frame : Aluminum alloy

Safety : UL-CUL/TUV/CE/UKCA/CCC

Air Flow-Static Pressure Characteristics



External Dimensions(mm)



*All model could be customized. Please contact with SUNON sales.

*Specifications are subject to change without notice. Please visit SUNON website at www.sunon.com for update information.

120x120x38 mm

Low Power Consumption

49~50 CFM



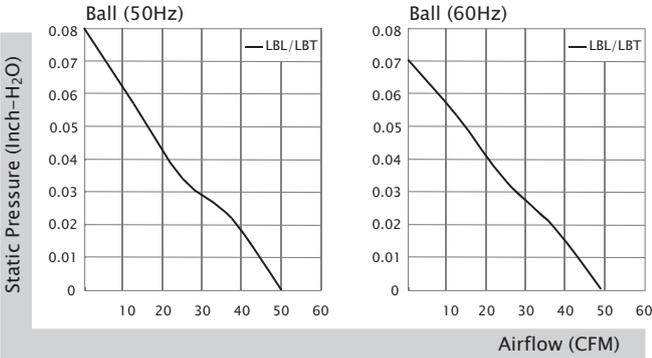
■ Specifications

Model	P/N	Bearing	Rating Voltage	Freq.	Power Current	Power Consumption	Speed	Air Flow	Static Pressure	Noise	Weight
		● VAPO ○ BALL ◎ Sleeve	(VAC)	(Hz)	(AMP)	(WATTS)	(RPM)	(CFM)	(Inch-H ₂ O)	(dB(A))	(g)
DP203A	2123LBL.(5).GN	○	220-240	50/60	0.04/0.04	8/8	1650/1600	50/49	0.08/0.07	26/25	550
DP203A	2123LBT.(5).GN	○	220-240	50/60	0.04/0.04	8/8	1650/1600	50/49	0.08/0.07	26/25	550

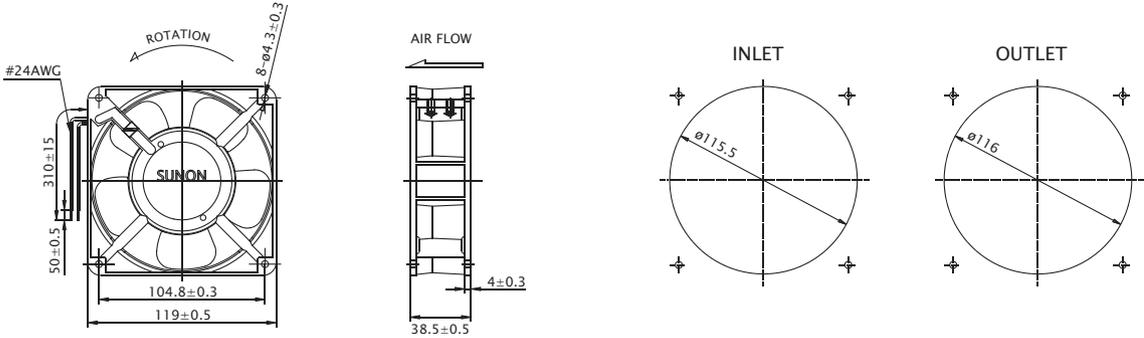
Frame : Aluminum alloy

Safety : TUV/CE/UKCA/CCC

■ Air Flow-Static Pressure Characteristics



■ External Dimensions(mm)



*All model could be customized. Please contact with SUNON sales.
 *Specifications are subject to change without notice. Please visit SUNON website at www.sunon.com for update information.

171x151x51 mm

180~200 CFM



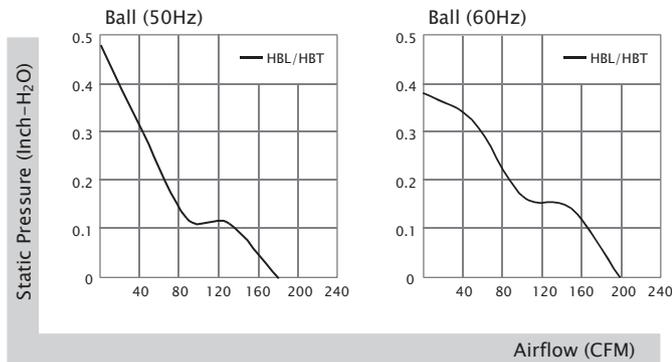
■ Specifications

Model	P/N	Bearing	Rating Voltage	Freq.	Power Current	Power Consumption	Speed	Air Flow	Static Pressure	Noise	Weight
		● VAPO ○ BALL ◎ Sleeve	(VAC)	(Hz)	(AMP)	(WATTS)	(RPM)	(CFM)	(Inch-H ₂ O)	(dB(A))	(g)
A1175-HBL	T.GN	○	115	50/60	0.59/0.48	39/36	2650/2950	180/200	0.48/0.38	52/55	957
A1175-HBT	T.GN	○	115	50/60	0.59/0.48	39/36	2650/2950	180/200	0.48/0.38	52/55	957
A2175-HBL	T.GN	○	220-240	50/60	0.28/0.24	39/36	2650/2950	180/200	0.48/0.38	52/55	957
A2175-HBT	T.GN	○	220-240	50/60	0.28/0.24	39/36	2650/2950	180/200	0.48/0.38	52/55	957

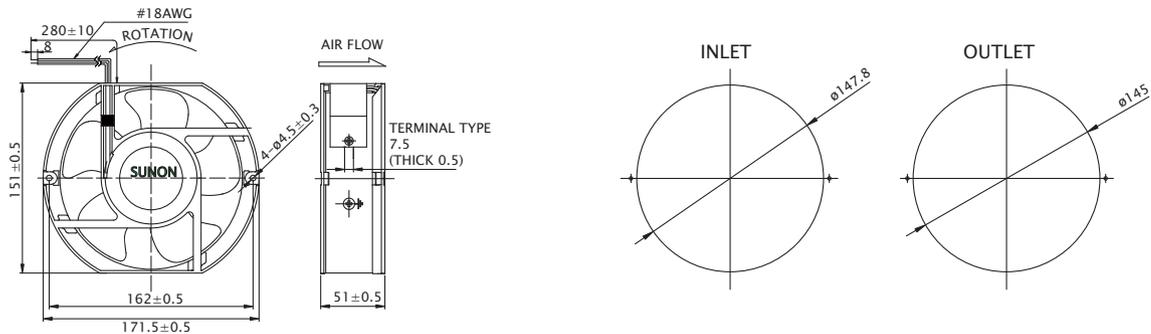
Frame : Aluminum alloy

Safety : UL-CUL/TUV/CE/UKCA/CCC

■ Air Flow-Static Pressure Characteristics



■ External Dimensions(mm)



*All model could be customized. Please contact with SUNON sales.

*Specifications are subject to change without notice. Please visit SUNON website at www.sunon.com for update information.

171x151x51 mm

Alveolate Motor

203~239 CFM



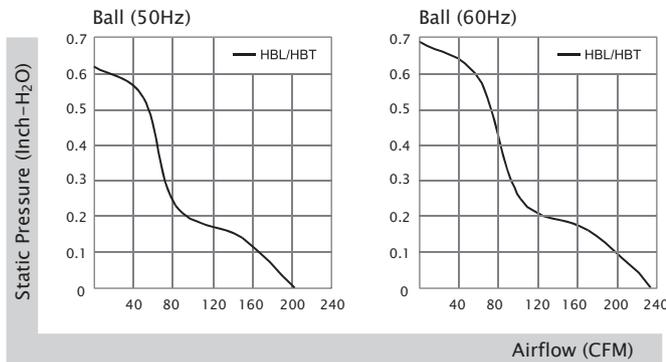
Specifications

Model	P/N	Bearing	Rating Voltage	Freq.	Power Current	Power Consumption	Speed	Air Flow	Static Pressure	Noise	Weight
		● VAPO ○ BALL ⊙ Sleeve	(VAC)	(Hz)	(AMP)	(WATTS)	(RPM)	(CFM)	(Inch-H ₂ O)	(dB(A))	(g)
A1175-HBL	TC.GN	○	115	50/60	0.22/0.23	25/27	2800/3200	203/239	0.62/0.69	51/58	908
A1175-HBT	TC.GN	○	115	50/60	0.22/0.23	25/27	2800/3200	203/239	0.62/0.69	51/58	908
A2175-HBL	TC.GN	○	220~240	50/60	0.11/0.11	25/26	2800/3200	203/239	0.62/0.69	51/58	908
A2175-HBT	TC.GN	○	220~240	50/60	0.11/0.11	25/26	2800/3200	203/239	0.62/0.69	51/58	908

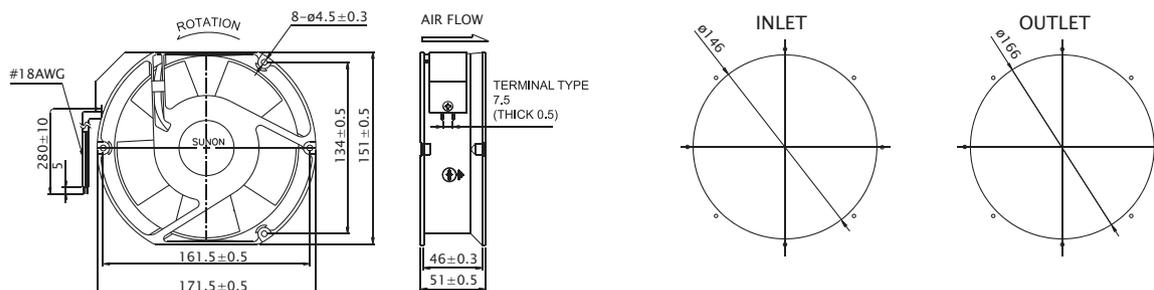
Frame : Aluminum alloy

Safety : UL-CUL/TUV/CE/UKCA/CCC

Air Flow-Static Pressure Characteristics



External Dimensions(mm)



*All model could be customized. Please contact with SUNON sales.

*Specifications are subject to change without notice. Please visit SUNON website at www.sunon.com for update information.

ø171x51 mm

Alveolate Motor

203~239 CFM



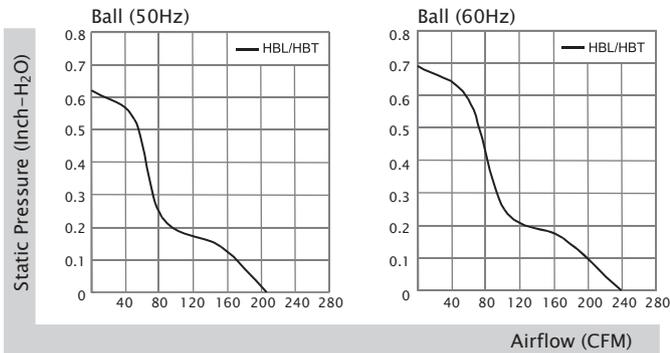
Specifications

Model	P/N	Bearing	Rating Voltage	Freq.	Power Current	Power Consumption	Speed	Air Flow	Static Pressure	Noise	Weight
		● VAPO ○ BALL ◎ Sleeve	(VAC)	(Hz)	(AMP)	(WATTS)	(RPM)	(CFM)	(Inch-H ₂ O)	(dB(A))	(g)
A1175-HBL	TC.R.GN	○	115	50/60	0.22/0.23	25/27	2800/3200	203/239	0.62/0.69	51/58	908
A1175-HBT	TC.R.GN	○	115	50/60	0.22/0.23	25/27	2800/3200	203/239	0.62/0.69	51/58	908
A2175-HBL	TC.R.GN	○	220-240	50/60	0.11/0.11	25/26	2800/3200	203/239	0.62/0.69	51/58	908
A2175-HBT	TC.R.GN	○	220-240	50/60	0.11/0.11	25/26	2800/3200	203/239	0.62/0.69	51/58	908

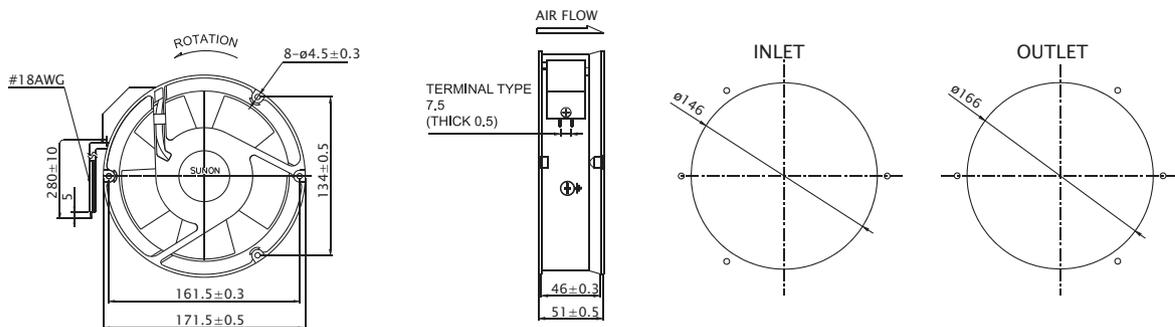
Frame : Aluminum alloy

Safety : UL-CUL/TUV/CE/UKCA/CCC

Air Flow-Static Pressure Characteristics



External Dimensions(mm)



*All model could be customized. Please contact with SUNON sales.

*Specifications are subject to change without notice. Please visit SUNON website at www.sunon.com for update information.

176x176x89 mm

Alveolate Motor

315~335 CFM



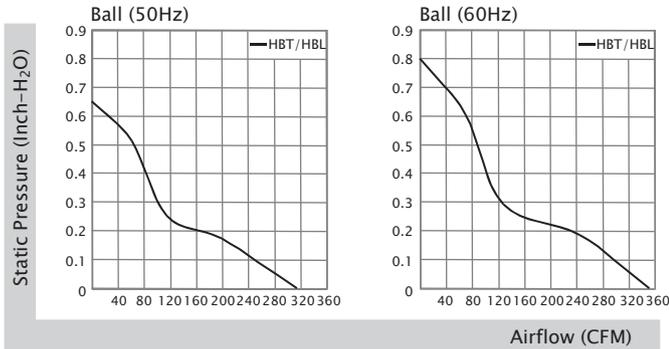
■ Specifications

Model	P/N	Bearing	Rating Voltage	Freq.	Power Current	Power Consumption	Speed	Air Flow	Static Pressure	Noise	Weight
		● VAPO ○ BALL ◎ Sleeve	(VAC)	(Hz)	(AMP)	(WATTS)	(RPM)	(CFM)	(Inch-H ₂ O)	(dB(A))	(g)
A1179-HBT	TC.GN	○	115	50/60	0.25/0.27	24/30	2800/3250	315/335	0.65/0.8	62/66	1960
A1179-HBL	TC.GN	○	115	50/60	0.25/0.27	24/30	2800/3250	315/335	0.65/0.8	62/66	1960
A2179-HBT	TC.GN	○	220-240	50/60	0.11/0.15	23/30	2800/3250	315/335	0.65/0.8	62/66	1960
A2179-HBL	TC.GN	○	220-240	50/60	0.11/0.15	23/30	2800/3250	315/335	0.65/0.8	62/66	1960

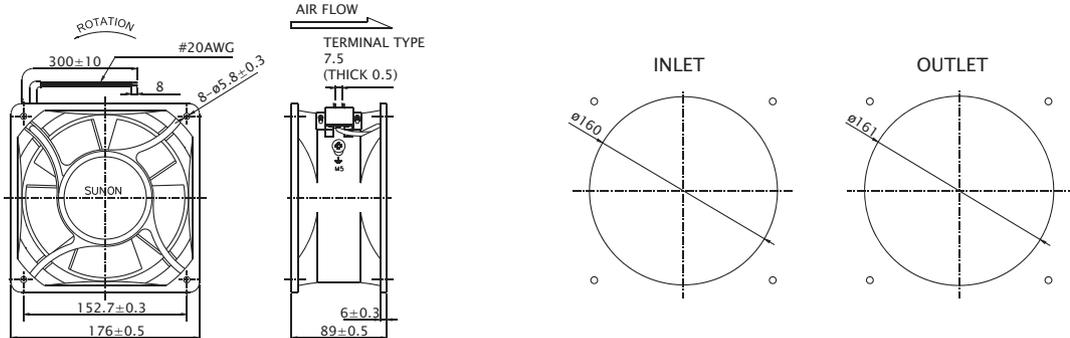
Frame : Aluminum alloy

Safety : UL-CUL/TUV/CE/UKCA/CCC

■ Air Flow-Static Pressure Characteristics



■ External Dimensions(mm)



*All model could be customized. Please contact with SUNON sales.
 *Specifications are subject to change without notice. Please visit SUNON website at www.sunon.com for update information.

ø200x77.4 mm
186.0~278.8 CFM



■ Specifications

Model	Bearing	Rating Voltage	Freq.	Power Current	Power Consumption	Speed	Air Flow	Static Pressure	Noise	Weight
	● VAPO ○ BALL ◎ Sleeve	(VAC)	(Hz)	(AMP)	(WATTS)	(RPM)	(CFM)	(Inch-H ₂ O)	(dB(A))	(g)
CF2207LBL-000U-HB9	○	220-240	50 / 60	(H) 0.070 (L) 0.038	(H) 6.60 (L) 3.20	(H)1400 (L) 950	(H) 278.8 (L) 186.0	(H) 0.30 (L) 0.16	(H) 41.2 (L) 29.9	1100

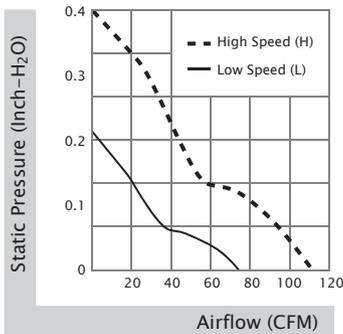
Frame : PBT Plastic

Safety : UKCA/CE/TUV/UL/CUL

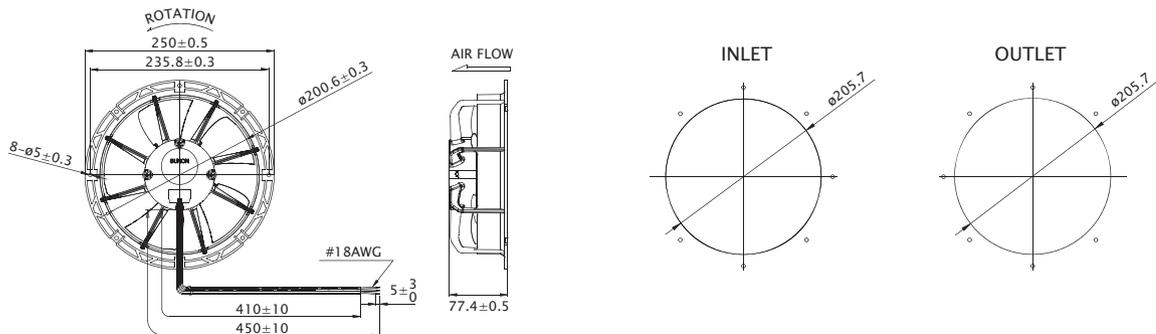
■ Function AutoRestart : HB9, HE9

■ Protection IP55 : HB9 IP68 : HE9

■ Air Flow-Static Pressure Characteristics



■ External Dimensions(mm)



*All model could be customized. Please contact with SUNON sales.

*Specifications are subject to change without notice. Please visit SUNON website at www.sunon.com for update information.

ø254x89 mm

Alveolate Motor

425~870 CFM



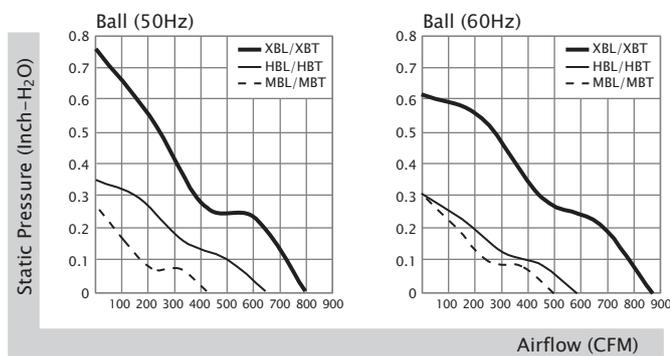
Specifications

Model	P/N	Bearing	Rating Voltage (VAC)	Freq. (Hz)	Power Current (AMP)	Power Consumption (WATTS)	Speed (RPM)	Air Flow (CFM)	Static Pressure (Inch-H ₂ O)	Noise (dB(A))	Weight (g)
A1259-MBL	TC.N.GN	○	115	50/60	0.23/0.23	20/23	1400/1600	425/500	0.27/0.31	54/57	2300
A1259-MBT	TC.N.GN	○	115	50/60	0.23/0.23	20/23	1400/1600	425/500	0.27/0.31	54/57	2300
A1259-HBL	TC.N.GN	○	115	50/60	0.60/0.65	63/72	2100/1900	650/585	0.35/0.31	62/60	2300
A1259-HBT	TC.N.GN	○	115	50/60	0.60/0.65	63/72	2100/1900	650/585	0.35/0.31	62/60	2300
A1259-XBL	TC.N.GN	○	115	50/60	0.83/1.10	88/120	2600/2900	800/870	0.76/0.62	68/70	2400
A1259-XBT	TC.N.GN	○	115	50/60	0.83/1.10	88/120	2600/2900	800/870	0.76/0.62	68/70	2400
A2259-MBL	TC.N.GN	○	220-240	50/60	0.15/0.13	28/30	1400/1600	425/500	0.27/0.31	54/57	2300
A2259-MBT	TC.N.GN	○	220-240	50/60	0.15/0.13	28/30	1400/1600	425/500	0.27/0.31	54/57	2300
A2259-HBL	TC.N.GN	○	220-240	50/60	0.27/0.30	64/70	2100/1900	650/585	0.35/0.31	62/60	2300
A2259-HBT	TC.N.GN	○	220-240	50/60	0.27/0.30	64/70	2100/1900	650/585	0.35/0.31	62/60	2300

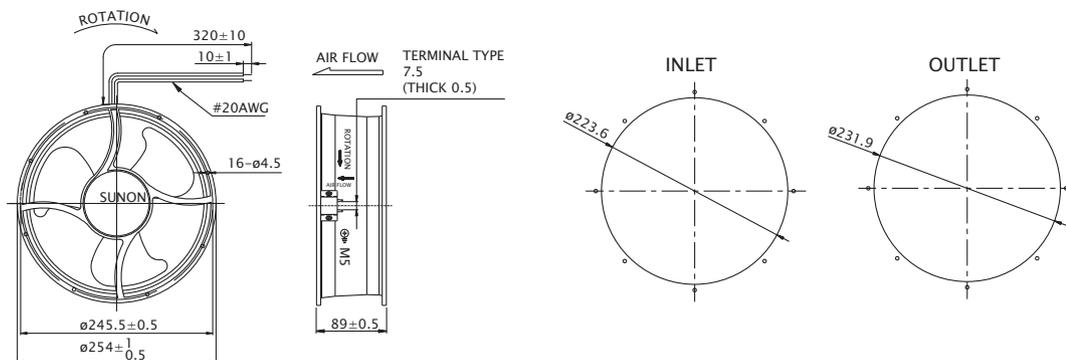
Frame : Aluminum alloy

Safety : UL-CUL/TUV/CE/UKCA/CCC

Air Flow-Static Pressure Characteristics



External Dimensions(mm)



*All model could be customized. Please contact with SUNON sales.

*Specifications are subject to change without notice. Please visit SUNON website at www.sunon.com for update information.

120x120x31 mm

20~22 CFM



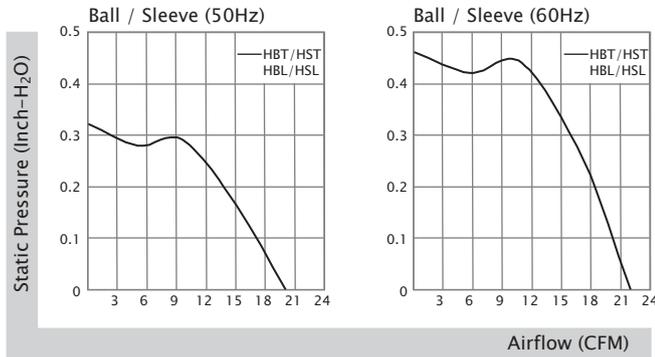
Specifications

Model	P/N	Bearing	Rating Voltage (VAC)	Freq. (Hz)	Power Current (AMP)	Power Consumption (WATTS)	Speed (RPM)	Air Flow (CFM)	Static Pressure (Inch-H ₂ O)	Noise (dB(A))	Weight (g)
AB1123-HST	GN	◎	115	50/60	0.25/0.21	20/18	2600/2900	20/22	0.32/0.46	48/50	678
AB1123-HSL	GN	◎	115	50/60	0.25/0.21	20/18	2600/2900	20/22	0.32/0.46	48/50	678
AB1123-HBT	GN	○	115	50/60	0.25/0.21	20/18	2600/2900	20/22	0.32/0.46	48/50	678
AB1123-HBL	GN	○	115	50/60	0.25/0.21	20/18	2600/2900	20/22	0.32/0.46	48/50	678
AB2123-HST	GN	◎	220-240	50/60	0.14/0.11	20/18	2600/2900	20/22	0.32/0.46	48/50	678
AB2123-HSL	GN	◎	220-240	50/60	0.14/0.11	20/18	2600/2900	20/22	0.32/0.46	48/50	678
AB2123-HBT	GN	○	220-240	50/60	0.14/0.11	20/18	2600/2900	20/22	0.32/0.46	48/50	678
AB2123-HBL	GN	○	220-240	50/60	0.14/0.11	20/18	2600/2900	20/22	0.32/0.46	48/50	678

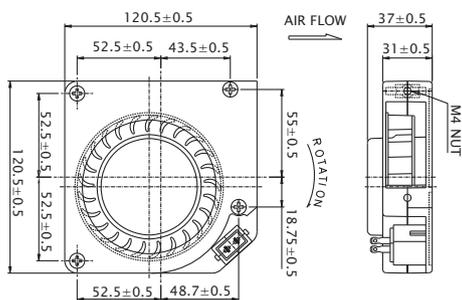
Frame : Aluminum alloy

Safety : UL-CUL/TUV/CE/UKCA/CCC

Air Flow-Static Pressure Characteristics



External Dimensions(mm)



*All model could be customized. Please contact with SUNON sales.

*Specifications are subject to change without notice. Please visit SUNON website at www.sunon.com for update information.



www.sunon.com

SUNON®

Headquarters
Sunonwealth Electric Machine Industry Co., Ltd.
TEL : +886-7-8135888
E-mail : sunon@sunon.com

Sunon Inc. (U.S.A.)
TEL : +1-714-255-0208
E-mail : info@sunon.com

Sunon SAS (Europe)
TEL : +33-1-46154515
E-mail : europe@sunon.com

2023/01/10 (257-U)

© 2023 SUNONWEALTH Electric Machine Industry Co., Ltd.