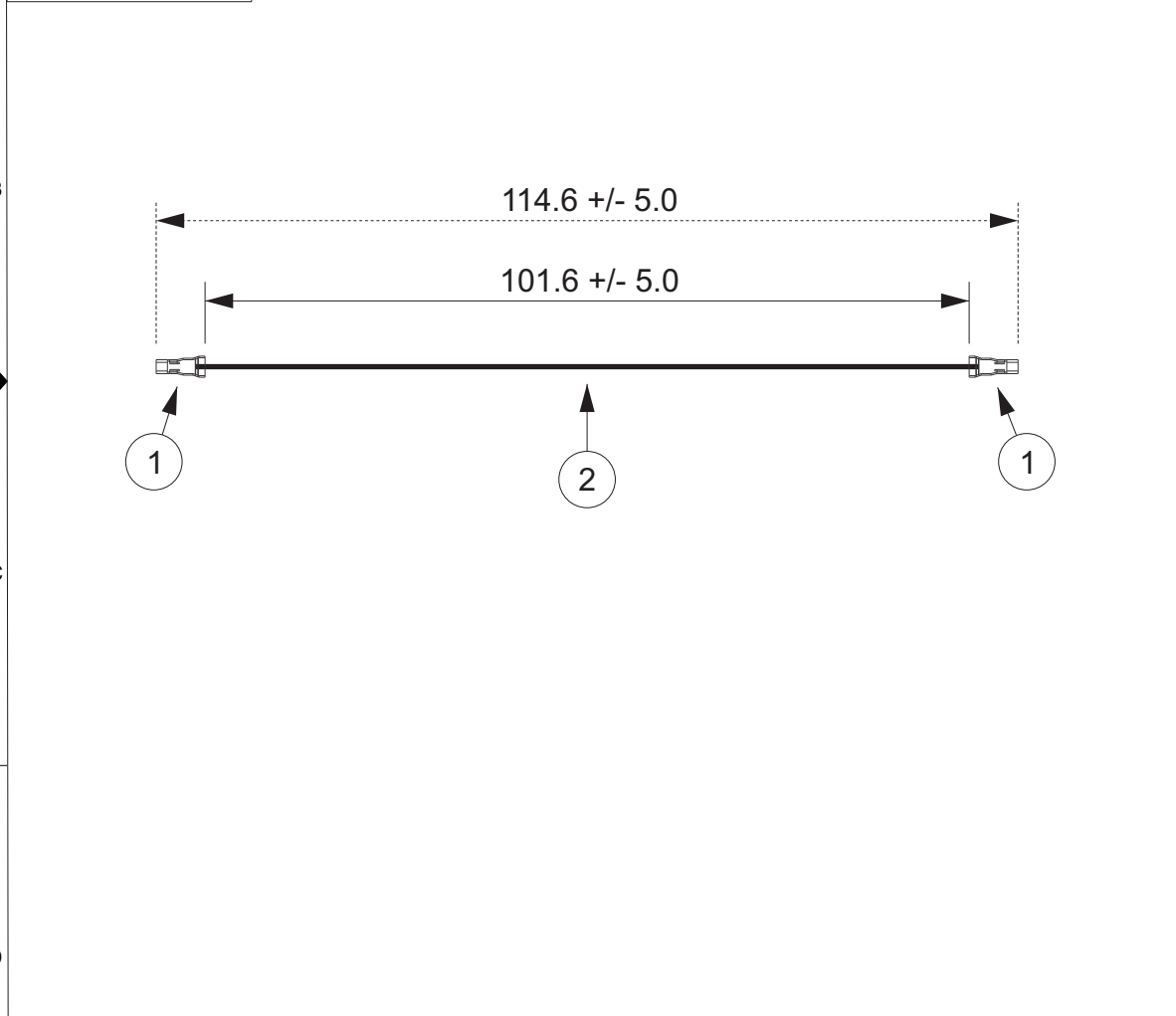


THIS DRAWING CONTAINS INFORMATION THAT IS PROPRIETARY TO J.S.T. AND SHALL NOT BE USED OR SHOWN WITHOUT WRITTEN PERMISSION.

| Item No. | Part No. | Description |
|----------|----------------|----------------------|
| 1 | SXA-01T-P0.6 | XA Connector Contact |
| 2 | UL1007, 22 AWG | Black |

| Electrical Specifications |
|---------------------------|
| Current: 3.0A AC/DC |
| Voltage: 250V AC/DC |



| APPLICABLE HOUSINGS | | | |
|---------------------|------------------|-----------------|------------------|
| XA SERIES | | XAD SERIES | |
| NO. OF CIRCUITS | HOUSING PART NO. | NO. OF CIRCUITS | HOUSING PART NO. |
| 2 | XAP-02V-1 | 8 | XADRP-08V |
| 3 | XAP-03V-1 | 10 | XADRP-10V |
| 4 | XAP-04V-1 | 12 | XADRP-12V |
| 5 | XAP-05V-1 | 14 | XADRP-14V |
| 6 | XAP-06V-1 | 16 | XADRP-16V |
| 7 | XAP-07V-1 | 18 | XADRP-18V |
| 8 | XAP-08V-1 | 20 | XADRP-20V |
| 9 | XAP-09V-1 | 22 | XADRP-22V |
| 10 | XAP-10V-1 | 24 | XADRP-24V |
| 11 | XAP-11V-1 | 26 | XADRP-26V |
| 12 | XAP-12V-1 | 28 | XADRP-28V |
| 13 | XAP-13V-1 | 30 | XADRP-30V |
| 14 | XAP-14V-1 | 32 | XADRP-32V |
| 15 | XAP-15V-1 | 34 | XADRP-34V |
| 20 | XAP-20V-1 | 36 | XADRP-36V |
| - | - | 40 | XADRP-40V |



| | | | | |
|---|---|-------------------|----------|-----|
| All dimensions are in millimeters with a default tolerance of +/- 5.0 unless otherwise specified. | CUSTOMER NAME | | | |
| | DESCRIPTION 2.5mm Pitch XA & XAD Series Standard Leads - 4" Inside Length DOUBLE END LEADS, F-F | | | |
| Drawn By: Larissa Mosley | SIZE | CUSTOMER PART NO. | PART NO. | REV |
| Checked By: Steven Pilkington | SCALE 1:1 | ASXASXA22K102 | | |
| | DRAWING NO. GAM-364 | DATE 5/10/2018 | | |

| ZONE | REV | DESCRIPTION | DATE | APPROVED |
|------|-----|-------------------------------|-----------|----------|
| | 1 | Add Electrical Specifications | 7/02/2018 | LM |