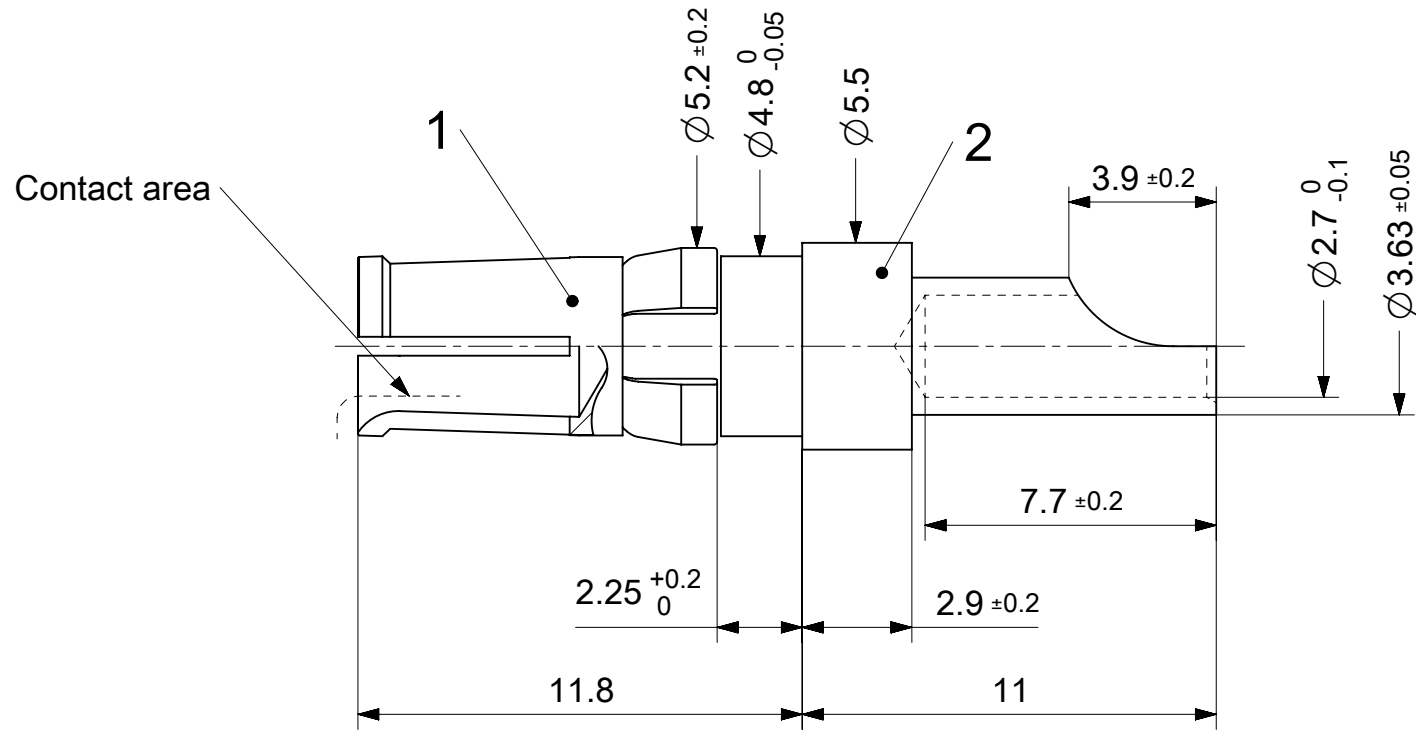


2:1



RoHS compliant  
by exemption

1731121204	FMP006S105B	105
Material Number	FCT Part Number	Material + Finish See extra sheet

UNLESS OTHERWISE SPECIFIED DIMENSIONS FOR REFERENCE ONLY				REPLACEMENT FOR DOCUMENT NUMBER: FMP006S_B								
FUNCTIONAL SYMBOLS				THIS DRAWING CONTAINS INFORMATION THAT IS PROPRIETARY TO MOLEX ELECTRONIC TECHNOLOGIES, LLC AND SHOULD NOT BE USED WITHOUT WRITTEN PERMISSION								
$\frac{F}{A} = 0$ $\frac{F}{E} = 0$ $\frac{F}{P} = 0$		DIMENSION UNITS: mm SCALE: 5:1		CURRENT REV DESC:								
GENERAL TOLERANCES (UNLESS SPECIFIED) ANGULAR TOL ± °		4 PLACES ± 3 PLACES ± 2 PLACES ± 1 PLACE ± 0 PLACES ±		EC NO: 686699 DRWN: VLOKESHA 2021/03/31 CHK'D: MTEUBEL 2021/12/01 APPR: MTEUBEL 2021/12/01								FCT 20A HIGH POWER CONTACT FOR D-SUB
DIVISIONAL SYMBOLS				INITIAL REVISION:				PRODUCT CUSTOMER DRAWING				
				DRWN: VLOKESHA 2021/03/31 APPR: MTEUBEL 2021/12/01				DOCUMENT NUMBER: 1731121204		DOC TYPE: PSD	DOC PART: 000	REVISION: A
DRAFT WHERE APPLICABLE MUST REMAIN WITHIN DIMENSIONS				FIRST ANGLE PROJECTION	DRAWING: A4-SIZE	SERIES: 173112	MATERIAL NUMBER: SEE TABLE		CUSTOMER: GENERAL MARKET		SHEET NUMBER: 1 OF 1	

DOCUMENT STATUS	P1	RELEASE DATE	2021/12/01	08:28:29
-----------------	----	--------------	------------	----------