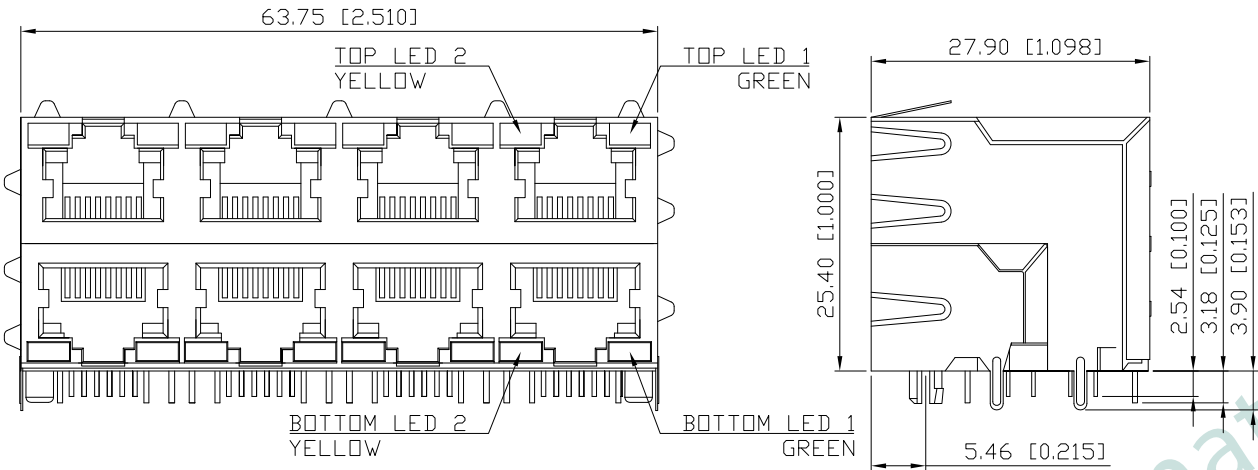


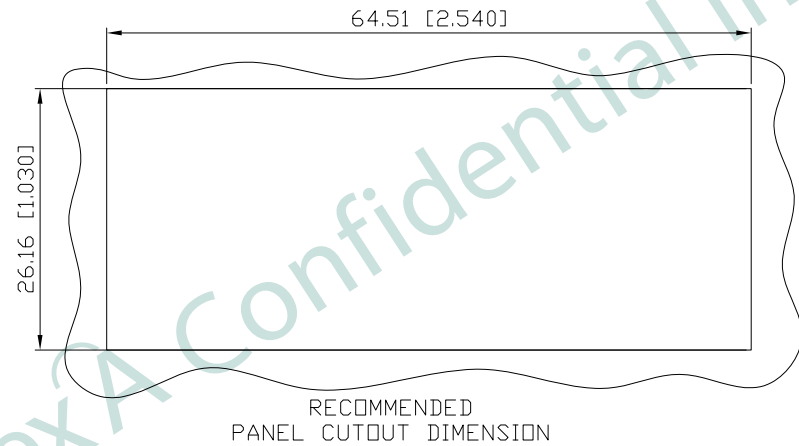
1. MECHANICAL DIMENSIONS :

REV.	DATE	DESCRIPTION
A	Sep. 01, '16	1st RELEASE

A
B
C
D
E
F



- NOTES:
1. MATERIAL:
HOUSING: HIGH TEMP. THERMOPLASTIC, UL94V-0, BLACK
CONTACTS: T=0.35mm PHOS-BRONZE, PLATED HARD GOLD ON CONTACT AREA, UNDERPLATE NICKEL ON ALL AREA, TIN ON TERMINATION END,
SHIELD: T=0.25mm COPPER ZINC ALLOY, PLATED NICKEL
 2. OPERATING TEMPERATURE: -40°C~+85°C
 3. INSERTION FORCE: 4 POUNDS MAX.
EXTRACTION FORCE: 4 POUNDS MAX.
 4. DURABILITY: 750 MATING CYCLED MIN.
 5. CAVITY CONFORMS TO FCC RULES AND REGULATIONS PART 68, SUBPART F.
 6. UNSPECIFIED TOLERANCE: .XX ±0.25[0.010]
.X ±0.30[0.012]

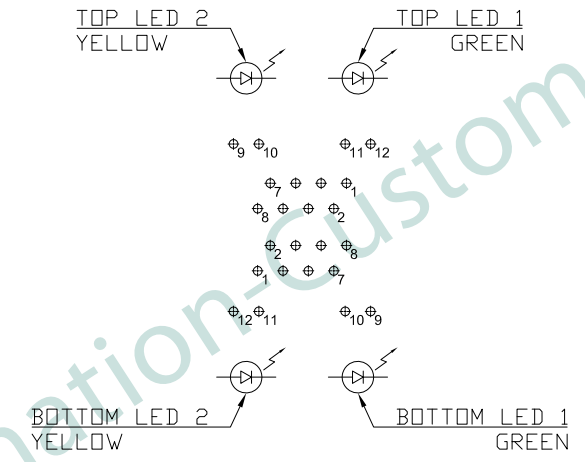
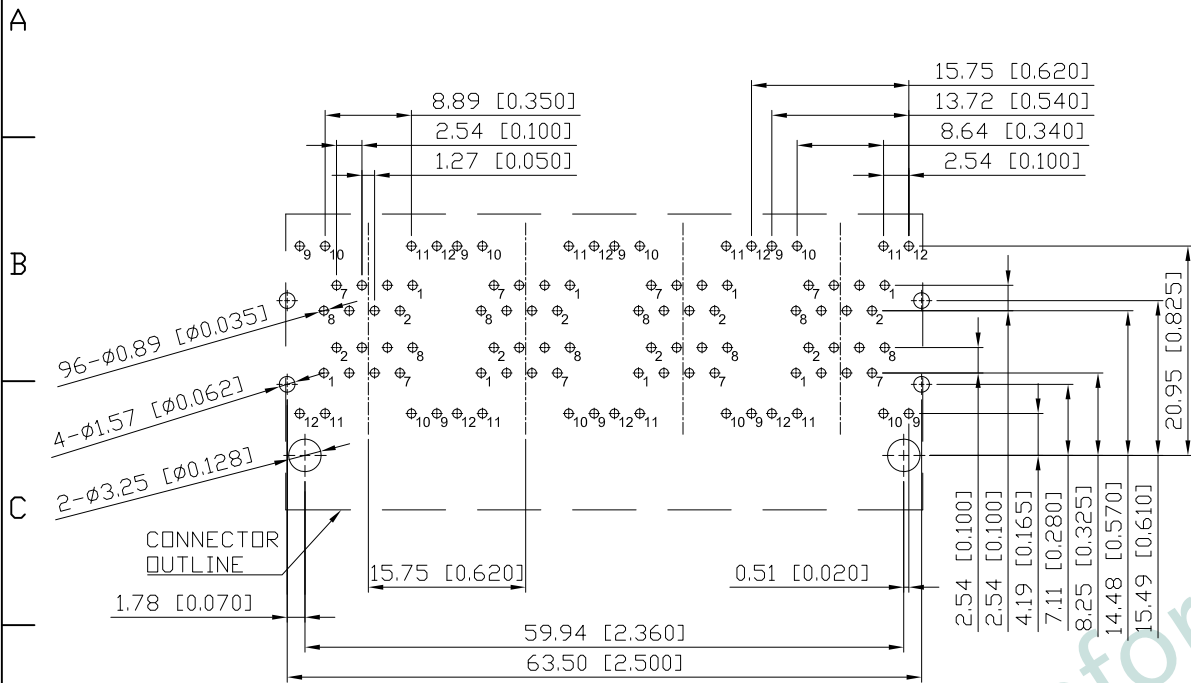


PART NO		KRD-S-24-8-8-1-DN5		
TITLE	RJ45 2X4 8P8C, W/LED, SHIELDED, STACKED TYPE			
REV : A				
UNIT	DRAWN	CHKD	DATE	SHEET
mm[inch]	DANIEL	RYAN	Sep. 01, '16	1 of 3

RoHS Compliant

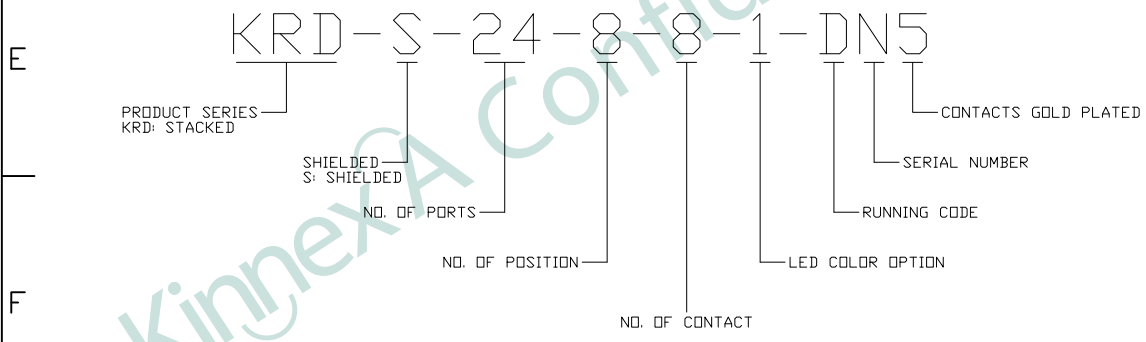
2. PCB LAYOUT :

3. LED CONFIGURATION :



SUGGESTED PCB LAYOUT
<TOP VIEW>
DIMENSIONAL TOLERANCE: .XX ±0.08[0.003]

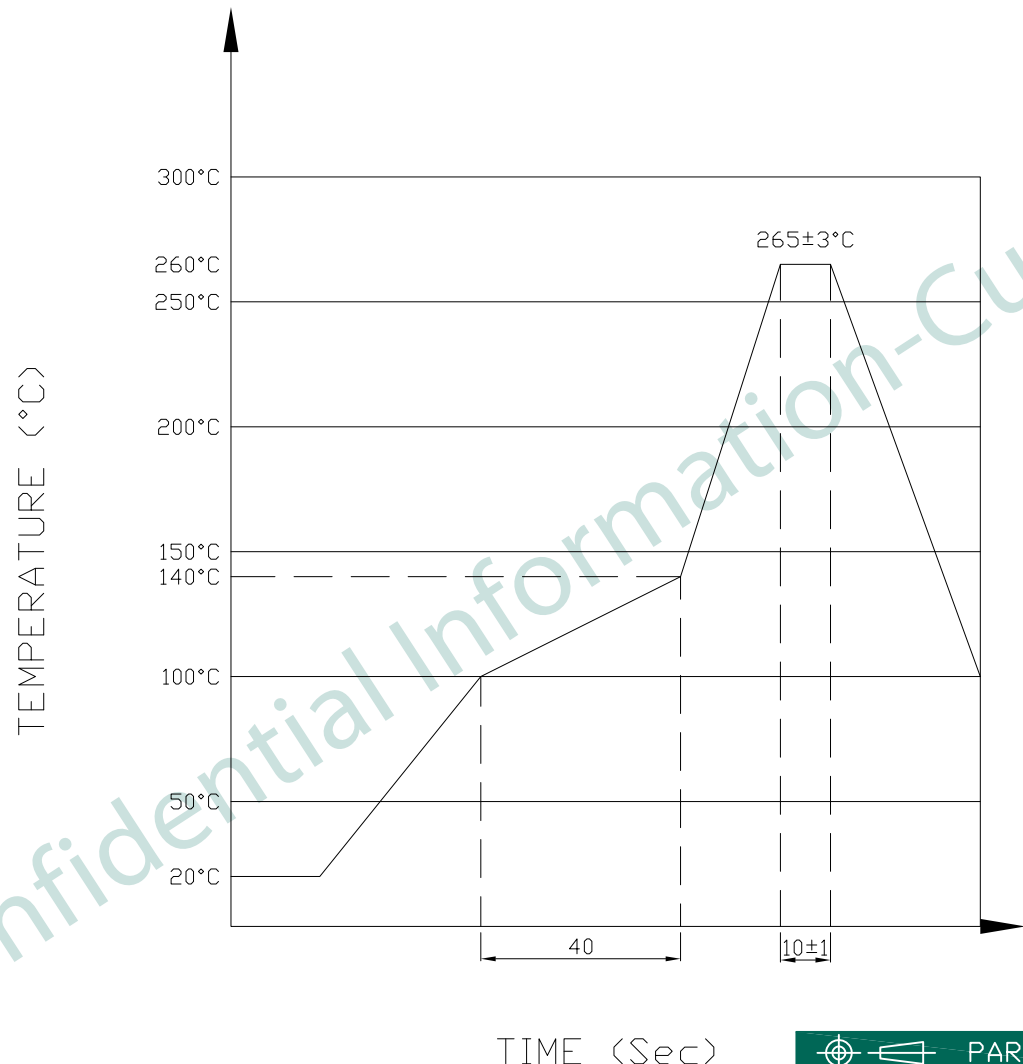
Color	VF(V) @20mA		IV(mcd) @20mA	IF(mA)	Peak wave Length λP(nm) @20mA
	Typ.	Max	Typ.	Typ.	Typ.
Yellow	2.2	2.6	15	20	588
Green	2.2	2.6	10	20	570



PART NO		KRD-S-24-8-8-1-DN5		
TITLE	RJ45 2X4 8P8C, W/LED, SHIELDED, STACKED TYPE			
REV : A				
UNIT	DRAWN	CHKD	DATE	SHEET
mm[inch]	DANIEL	RYAN	Sep. 01, '16	2 of 3

ROHS Compliant

4. PROFILE OF WAVE SOLDER :



The measuring point for the specified temperature shall be on the soldered part of the lead

PART NO KRD-S-24-8-8-1-DN5				
TITLE	RJ45 2X4 8P8C, W/LED, SHIELDED, STACKED TYPE			
REV : A				
UNIT	DRAWN	CHKD	DATE	SHEET
mm[inch]	DANIEL	RYAN	Sep. 01, '16	3 of 3