

LPWA/ISM External Antenna



AEACAC054010-S915



45.9 x 10.0 mm
RoHS/RoHS II Compliant
MSL = 1

Features

- 915 MHz LPWA/ISM antenna
- Linear polarization
- Gain of 2 dBi
- Compact, low profile whip antenna

Applications

- LPWA/LoRa/SigFox applications
- ISM applications
- IoT
- M2M
- Remote technology/monitoring
- Network devices
- Smart buildings
- Smart city
- Agriculture/environment
- Consumer tracking

Electrical Characteristics

Parameters	Min.	Typ.	Max.	Units	Note
Frequency Range		915		MHz	
VSWR			3		
Polarization	Linear				
Impedance		50		Ω	
Gain		2		dBi	Zenith

Mechanical Characteristics

Parameters	Description
Connector	SMA Male
Mounting	Connector

Environmental Characteristics

Parameters	Description
Operating temperature	-40°C to +85°C
Vibration	10 to 55 Hz with 1.5 mm amplitude 2 hours

LPWA/ISM External Antenna

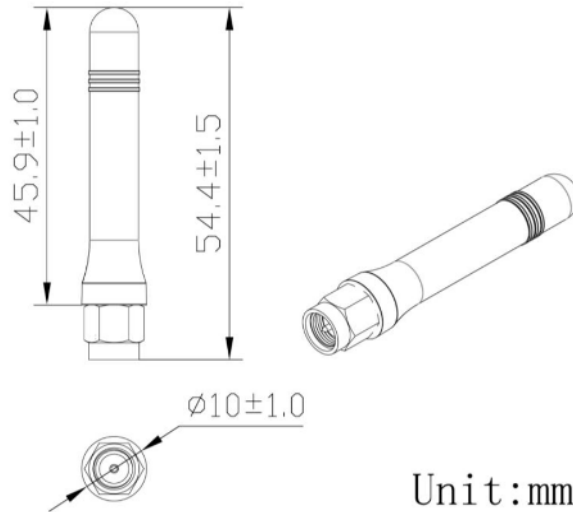


AEACAC054010-S915



45.9 x 10.0 mm
RoHS/RoHS II Compliant
MSL = 1

Dimensions



Product Image



LPWA/ISM External Antenna

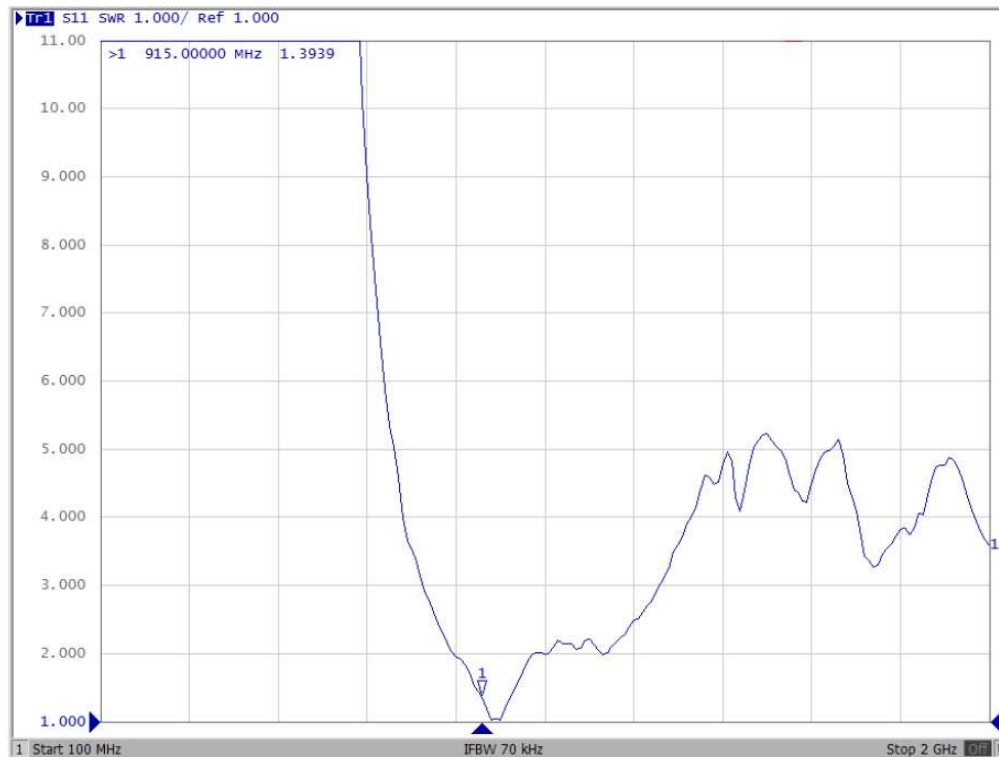


AEACAC054010-S915



45.9 x 10.0 mm
RoHS/RoHS II Compliant
MSL = 1

VSWR



ATTENTION: Abracon LLC's products are COTS – Commercial-Off-The-Shelf products; suitable for Commercial, Industrial and, where designated, Automotive Applications. Abracon's products are not specifically designed for Military, Aviation, Aerospace, Life-dependent Medical applications or any application requiring high reliability where component failure could result in loss of life and/or property. For applications requiring high reliability and/or presenting an extreme operating environment, written consent and authorization from Abracon LLC is required. Please contact Abracon LLC for more information.



5101 Hidden Creek Ln Spicewood TX 78669
Phone: 512-371-6159 | Fax: 512-351-8858
For terms and conditions of sales, please visit:
www.abracon.com

REVISED: 01.24.2019

ABRACON IS
ISO9001-2015
CERTIFIED

LPWA/ISM External Antenna



AEACAC054010-S915



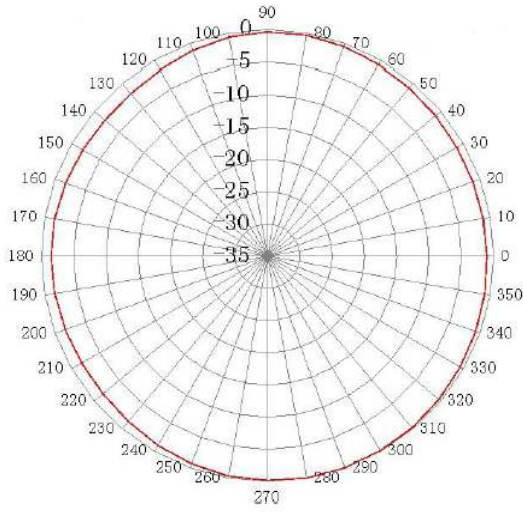
45.9 x 10.0 mm
RoHS/RoHS II Compliant
MSL = 1

Radiation Pattern:

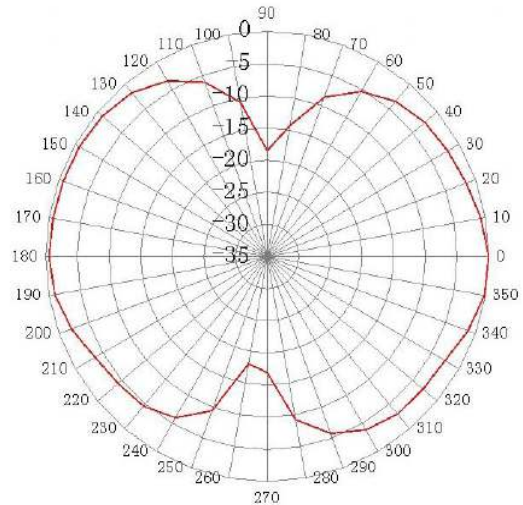
2D – Pattern

Frequency: 915 MHz

Horizontal Plane

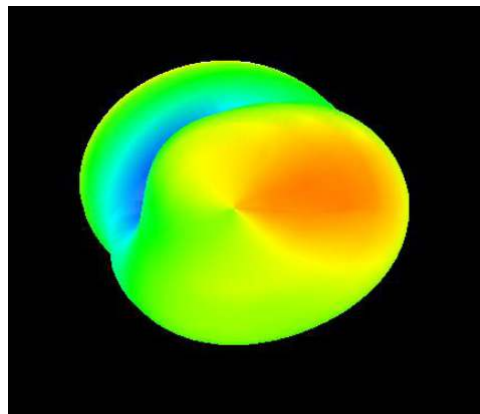


Vertical Plane



3D – Pattern

Frequency: 915 MHz



Frequency (MHz)	Efficiency	Gain (dBi)
915	0.66	2.2

Packaging

A carton weighs about 8 Kg with 1,000 pieces each of dimension 37 x 36 x 17 cm.



5101 Hidden Creek Ln Spicewood TX 78669
Phone: 512-371-6159 | Fax: 512-351-8858
For terms and conditions of sales, please visit:
www.abracon.com

REVISED: 01.24.2019

ABRACON IS
ISO9001-2015
CERTIFIED