

S CN BN - J 1 1 75 - SO RPM

SUNTSU

CONNECTOR

BNC

Connector Type
Jack

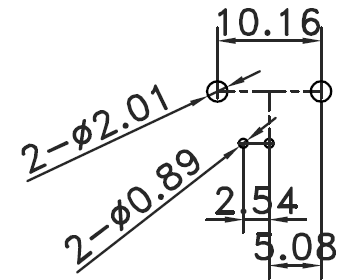
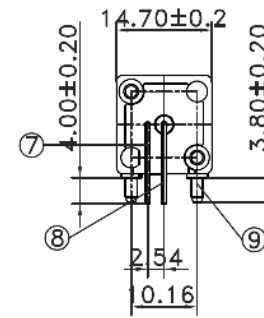
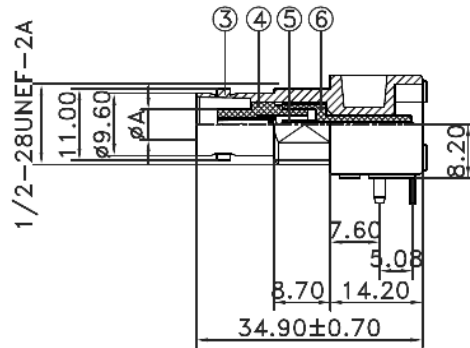
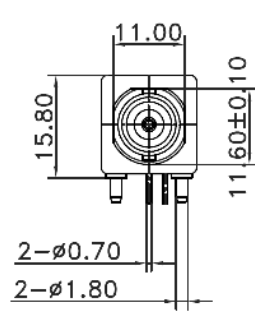
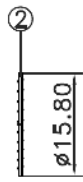
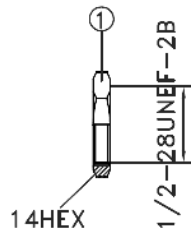
Rows

Connectors
per Row

Impedance
75

Contact Termination
Solder

Mounting Style
Right Angle PCB
Mount



**Recommended
Mounting
Layout**

1. Materials:
 - a) Body: Zinc Nickel Plated
 - b) Contact: P-Bronze Gold Plated
 - c) Insulator: PP Natural
2. Normal Impedance: 75Ω
3. Frequency Range: 0-1 GHz
4. Max Peak Voltage: 500V
5. Dielectric Strength: 1500V RMS
6. Insulation Resistance: 5000MΩ/Min



**BNC JACK PCB MOUNT
90°**

Document History				Part No.	REV.	Drawn	Page
Edits Made	Date	Edited By	Approved By	SCNBN-J1175-SORPM	A	B. Gibbons	06/28/2021
Initial Release	06/28/2021	B. Gibbons	KH Mun				06/28/2021
				Drawing No.	SCALE	Checked	1 / 1
				Tolerance	None	KH Mun	
					UNIT	Approved	
					mm	KH Mun	06/28/2021