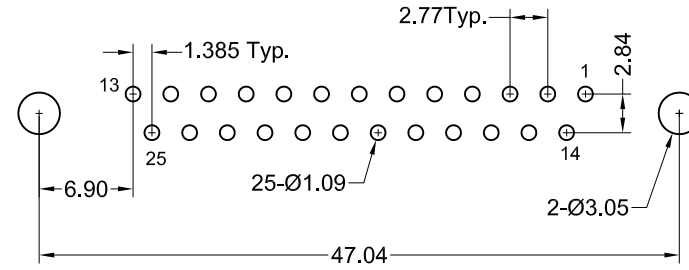
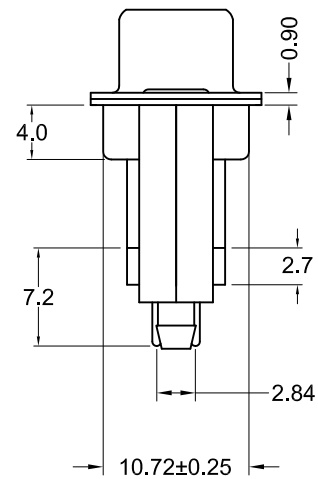
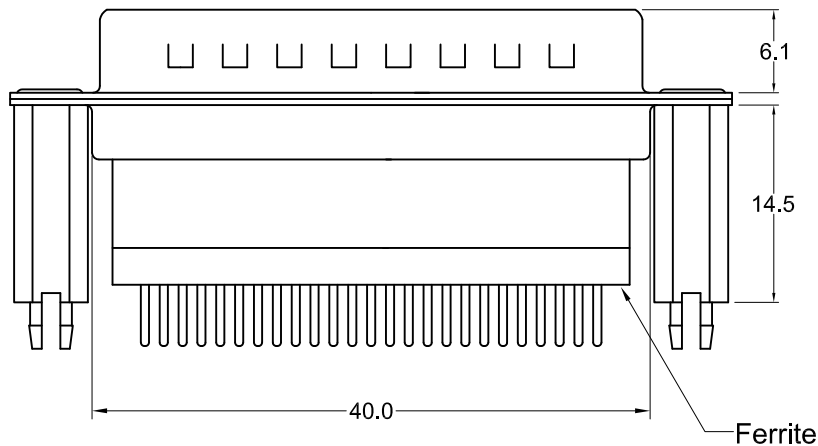


2-#4-40 UNC  
Riveted threaded insert



RECOMMENDED PCB LAYOUT  
(Top View)



**Material And Finish**

Shell: Steel, Nickel Plated  
Insulator: PBT with Glass-Fiber Reinforcement  
UL 94V-0 Rated  
Color-Black

Contact Material:  
Plug- Brass  
Contact Construction:  
Precision Machined

Contact Plating Options:  
Standard Option:  
Gold Flash over Nickel  
on Entire Contact

**Specifications**

Rated Current: 2A  
Rated Voltage: 30V RMS  
Dielectric Withstanding Voltage:  
1000V (rms) AC for 1 minute  
Insulation Resistance:  
more than 1000 Megohm  
at 500V DC  
Contact Resistance:  
13 milliohm max.  
Temperature Rating:  
-55°C to +105°C

**Ferrite Specifications**

Test Frequency	Edge Hole	Inner Hole
30 Mhz	17-27 Ohms	22-30 Ohms
50 Mhz	22-30 Ohms	29-37 Ohms
100 Mhz	29-34 Ohms	35-40 Ohms



Tolerances
X.X ± 0.25
X.XX ± 0.15
Unless Stated Otherwise

REV.	DATE	DESCRIPTION	REV. BY	CHK. BY	DRAWN BY	DATE
A1	05/18/06	New Drawing	R. Aguirre	H. MA	R. Aguirre	05/15/06
A2	1/21/08	ECO# 07-052	WILL H.	H. MA		
A3	02/22/10	ECO# 10-010	S. Vien	H. MA		
A4	12/31/17	ECO #17-035	J. Elbanna	C. Furumasa		

**KF88X-BC-25P-BR**

Vertical D25 male, Hi-Prof, Mach Pins

Ferrite w/ boardlock, RoHS Compliant

