

SPECIFICATIONS

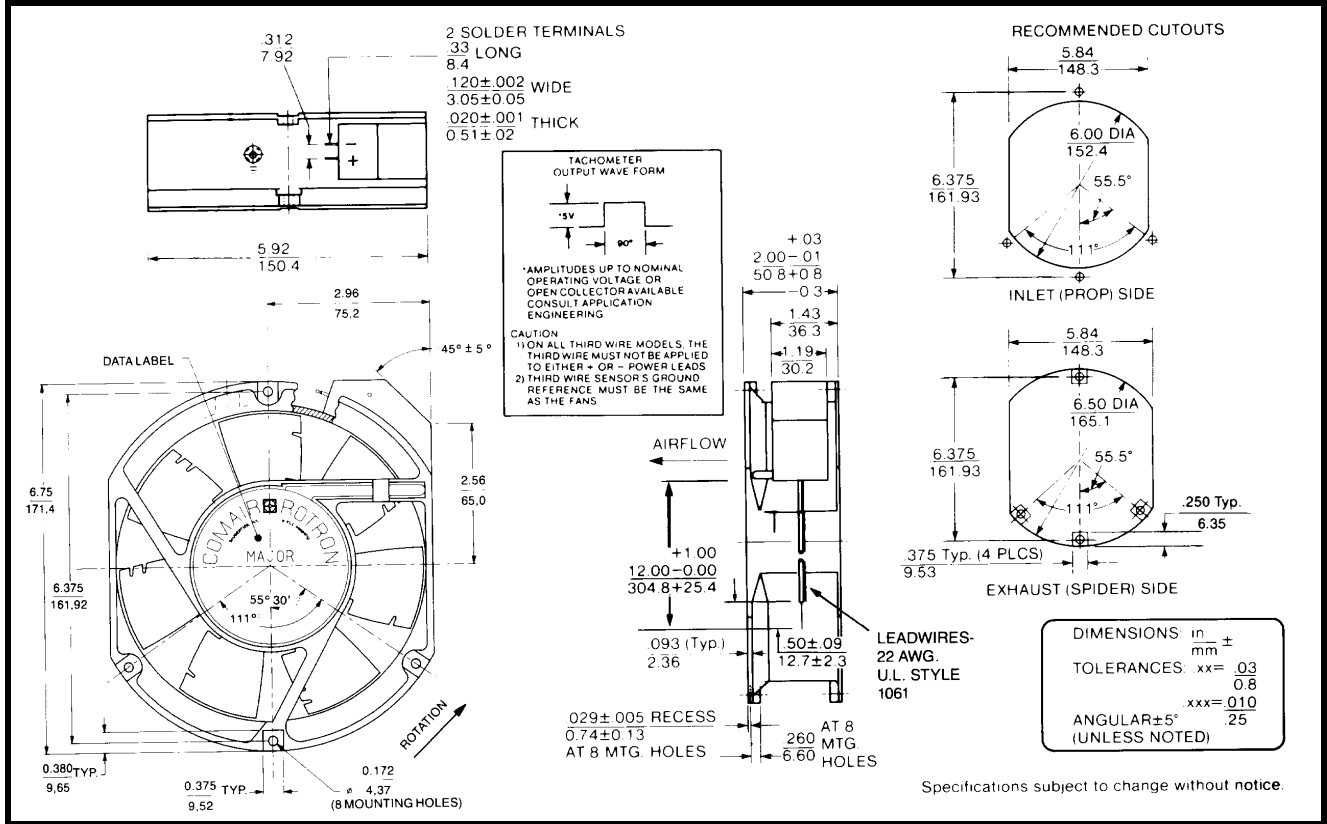
RoHS Compliant



Model Number: JQD24B3E2X-E3
Part Number: 17001182A

Rev:00
Jun 12, 2018

Mechanical Drawing:



Motor:

| | |
|-------------------------|---------------|
| Nominal Voltage | = 24 vdc |
| Operating Voltage Range | = 16 - 32 vdc |
| Nominal Running Current | = 1.0mps |
| Locked Rotor Current | = 2.0 amps |
| Running Power | = 24 watts |
| Average Speed | = 3400 RPM |
| Bearings | = Ball |
| Air Flow | = 235 CFM |
| Acoustic | = 54.3 dBA |

Construction:

Venturi: Die-cast aluminum, painted black
 Propeller: Plastic, painted black

Life Expectancy:

This fan is designed for continuous duty life of 58,000 hours at 70°C.

Termination:

12"±1"(304.8±25.4mm) 22AWG UL1061 Leadwires

| | |
|------------|---------------|
| Red | = Power(+) |
| Black | = Return(-) |
| Blue/White | = Tach output |
| Yellow | = PWM control |

Additional Features:

- Brushless DC Motor
- Soft Start Inrush Current
- Electronic Locked Rotor Protection
- Polarity Protected
- Automatic Restart Capability
- Operating Temperature: -10°C to 70°C
- Storage Temperature: -40°C to 85°C
- Environmental Protection: Type 3(IP68)

TACHOMETER:

| | |
|------------------------|----------------|
| Output: | Open Collector |
| Ic: | 20 mA max. |
| Vcc: | 32 Vdc max. |
| Pulses per Revolution: | 2 |
| Isolated: | No |

Speed Control:

- PWM: 200 ~ 2 KHz, Open Collector
- <10% Duty: Off
- 10%~95% Duty: Linear Ramp
- >95% Duty or Open Lead Wire: Full Speed

Agency Approvals:

UL, CUL, CE

PQ Curve:

