

Input / Output Modules

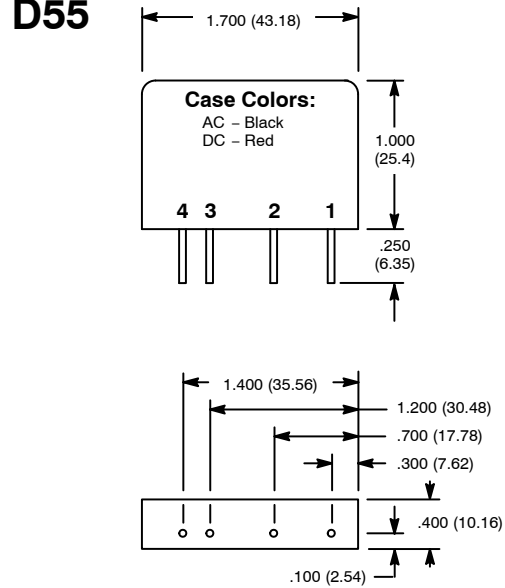
RIM Series



Slimline Output Digital Modules D55

Features

- AC & DC Types
- 4KV Optical Isolation
- Slimline Packaging
- Plugs into Standard I/O Module Mounting Board
- Industry Standard Color Code (AC=Black, DC=Red)



INPUT SPECIFICATIONS

NTE Type No.	Nom. Input Vltg.	Min Turn-on Vltg.	Max Input Vltg.	Drop-Out Vltg.	Typ Input Curr.	Nom. Input Res.	Diag No.
RIM-OAC5M	5 VDC	3 VDC	8 VDC	1.0VDC	20mA	220Ω	D55A
RIM-OAC15M	15 VDC	9 VDC	18 VDC	1.0VDC	16mA	1000Ω	D55A
RIM-OAC24M	24 VDC	18 VDC	32 VDC	1.0VDC	14mA	2200Ω	D55A
RIM-OAC5AM	5 VDC	2.75 VDC	8 VDC	1.0VDC	20mA	220Ω	D55A
RIM-OAC15AM	15 VDC	9 VDC	18 VDC	1.0VDC	16mA	1000Ω	D55A
RIM-OAC24AM	24 VDC	18 VDC	32 VDC	1.0VDC	14mA	2200Ω	D55A
RIM-ODC5M	5 VDC	3 VDC	8 VDC	1.0VDC	20mA	220Ω	D55B
RIM-ODC15M	15 VDC	9 VDC	18 VDC	1.0VDC	16mA	1000Ω	D55B

OUTPUT SPECIFICATIONS

NTE Type No.	Nom. Line Vltg.	Line Voltage		On-State Current		Peak On-State Voltage	Max Surge Current	Diag No.
		Min	Max	Min	Max			
RIM-OAC5M	120 Vrms	12 Vrms	140 Vrms	50mA	3.0A	1.6V	80A Peak	D55A
RIM-OAC15M	120 Vrms	12 Vrms	140 Vrms	50mA	3.0A	1.6V	80A Peak	D55A
RIM-OAC24M	120 Vrms	12 Vrms	140 Vrms	50mA	3.0A	1.6V	80A Peak	D55A
RIM-OAC5AM	240 Vrms	24 Vrms	280 Vrms	50mA	3.5A	1.6V	100A Peak	D55A
RIM-OAC15AM	240 Vrms	24 Vrms	280 Vrms	50mA	3.0A	1.6V	80A Peak	D55A
RIM-OAC24AM	240 Vrms	24 Vrms	280 Vrms	50mA	3.0A	1.6V	80A Peak	D55A
RIM-ODC5M	5-48VDC	3 VDC	60 VDC	20mA	3.0A	1.5V	5A (1sec)	D55B
RIM-ODC15M	5-48VDC	3 VDC	60 VDC	20mA	3.0A	1.5V	5A (1sec)	D55B

Electrical Specifications

Environmental

Operating: 0°C to +80°C
Storage: -40°C to +125°C

Capacitance

Input to Output: 8pF Max

Insulation Characteristics

Input to Output Isolation Voltage: 4000 VRMS

ACCESSORIES

MOUNTING STYLES	DESCRIPTION	NTE TYPE NO.
DIN RAIL MOUNT	2-POSITION SOCKET	RLY9142

Diagram A - AC Output

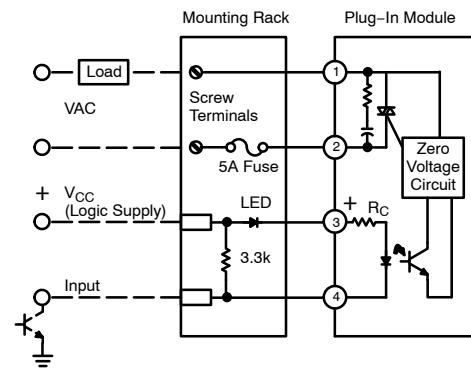
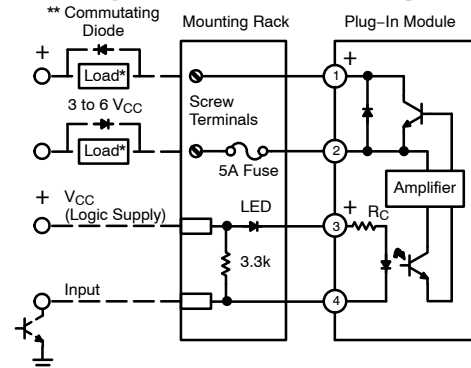


Diagram B - DC Output



* Sink or source current
** Must be used on inductive loads.