

# HGN-369 IEC 60320 INLET SOCKET WITH VOLTAGE SELECT, FLANGE MOUNT



## FEATURES

The HGN-369 power entry modules are used in applications having the ON/OFF switch on front side but main input at the rear side. This series features an IEC Connector, voltage selector for four different voltages (100V, 120V, 220V, 240V), fuse holder for European 5 x 20mm or N. American 1/4" x 1 1/4" (3AG) fuse. The filter is enclosed in a metal housing to ensure maximum protection from common-mode and differential-mode interferences.

These filters are also available for Medical equipment with low leakage current to comply with UL 544 & UL2601.

## APPLICATIONS

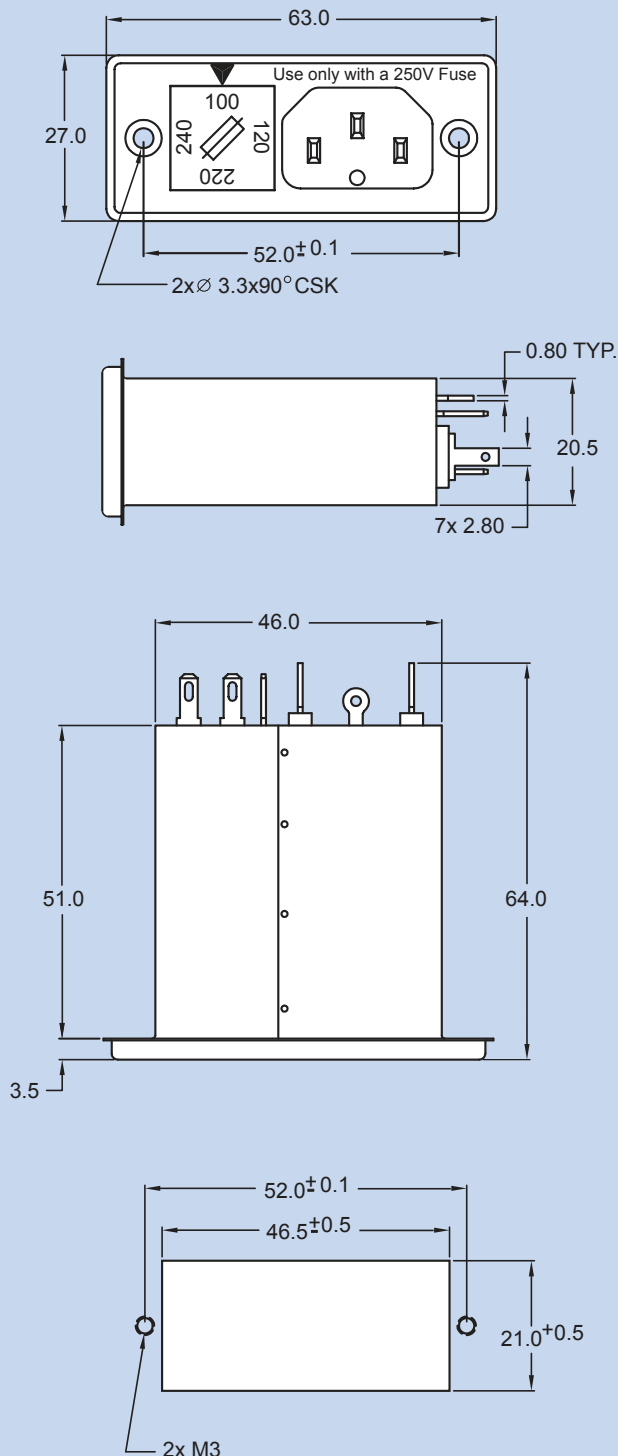
Computer & networking equipment, Measuring & control equipment, Data processing equipment, laboratory instruments, Switching power supplies, other electronic equipment.

## TECHNICAL DATA

- Rated Voltage: 125/250VAC
- Rated Current: 1A, 2A, 3A, 4A, 6A,
- Power Line Frequency: 50/60Hz
- Max. Leakage Current each  
Line to Ground:  
@ 250VAC 50Hz: 0.5mA, max  
@ 250VAC 50Hz: 2 $\mu$ A\*, max
- Hipot Rating (one minute)  
Line to Ground: 2250VDC  
Line to Line: 1450VDC
- Temperature Range: -25C to +85C

\* Medical application

## MECHANICAL DIMENSIONS (Unit: mm)



Specifications subject to change without notice. Dimensions (mm). See Appendix A for recommended power cord. See PDI full line catalog for detailed specifications on power cords.

# HGN-369 Series Example & Ordering Code

HGN-369- 1 M

CURRENT RATING (A):

= 1  
= 2  
= 3  
= 4  
= 6

SCHEMATIC:

STANDARD TYPE = BLANK

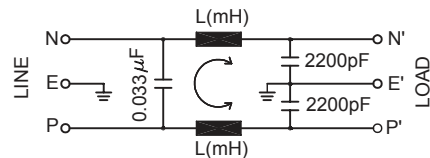
WITHOUT C(Y); C(X) ONLY = M

## Attenuation Tables & Schematics

### Non-Medical Applications

Insertion loss in dB (50 Ohm circuit)

Current Rating	L Value	Comm. Mode(L-G) MHz								Diff. mode(L-L) MHz							
		.01	.05	.15	.5	1	5	10	30	.01	.05	.15	.5	1	5	10	30
1A	10.3mA	19	34	42	53	57	50	55	55	15	5	5	33	47	71	70	55
2A	4.6mA	6	18	26	37	44	54	51	60	23	8	10	20	33	68	70	60
3A	2.5mA	12	18	25	37	45	53	65	60	16	5	10	24	35	64	65	60
4A	1.2mA	6	16	23	34	40	54	56	65	11	4	4	20	33	63	66	64
6A	0.8mA	6	15	21	30	35	50	55	60	16	6	6	15	28	60	65	60



### Medical Applications

Insertion loss in dB (50 Ohm circuit)

Current Rating	L Value	Comm. Mode(L-G) MHz								Diff. mode(L-L) MHz							
		.01	.05	.15	.5	1	5	10	30	.01	.05	.15	.5	1	5	10	30
1A	10.3mA	22	32	41	51	47	36	31	22	13	8	12	38	52	72	69	41
2A	4.6mA	17	30	38	41	42	37	30	22	17	7	9	25	39	67	70	58
3A	2.5mA	17	28	34	38	38	30	24	18	17	5	10	25	38	67	71	58
4A	1.2mA	10	16	22	30	32	32	30	22	11	5	13	25	36	65	70	60
6A	0.8mA	8	13	19	25	29	29	29	25	10	5	10	25	37	65	70	62

