

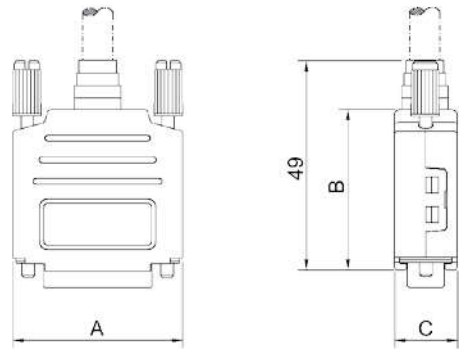
TECHNICAL SPECIFICATIONS

D-Sub Hood:

Material: UL Recognised Plastic Material
 Plating: Nickel over Copper
 Operating Temperature: -55°C to +105°C
 Cable Entry: Top
 Thumbscrews: UNC 4-40 (Standard)
 Cable O.D: Up to 11,5mm

Male D-Sub Solder Cup:

Insulator: PBT, Black, UL94 V-0
 Shell: Steel, Tin Plated
 Contact pins: Copper Alloy
 Stamped & Formed Pins: Class 3, 100 inserts min.
 Machined Contact Pins: Class 1, 500 inserts min.
 Contact Plating: Selective Gold over Nickel
 Operating Temperature: -55°C to +105°C
 Withstanding voltage: 1000V for 1 minute
 Insulator resistance: 1000MΩ min.



Features:

- Available in sizes 9, 15, 25 and 37-way
- Suitable for any common Sub-D Connector
- Quick-Snap locking system
- Re-openable
- Recyclable

Size DPPK-M	Dim A	Dim B	Dim C
9-way	32,5	38,0	15,0
15-way	41,0	38,0	15,0
25-way	54,5	40,0	15,0
37-way	71,0	40,0	15,0

Ordering information - Black Insulator:

Size:	P/N - Kitted:	Class 3 - 100 inserts min.
9-way	6355-0004-01	DPPK09-M-DBP-K
15-way	6355-0004-02	DPPK15-M-DBP-K
25-way	6355-0004-03	DPPK25-M-DBP-K
37-way	6355-0004-04	DPPK37-M-DBP-K

Size:	P/N - Kitted:	Class 1 - 500 inserts min.
9-way	6355-0004-21	DPPK09-M-DMP-K
15-way	6355-0004-22	DPPK15-M-DMP-K
25-way	6355-0004-23	DPPK25-M-DMP-K
37-way	6355-0004-24	DPPK37-M-DMP-K

Ordering information - White Insulator:

Size:	P/N - Kitted:	Class 3 - 100 inserts min.
9-way	6355-8004-01	DPPK09-M-DBP-W-K
15-way	6355-8004-02	DPPK15-M-DBP-W-K
25-way	6355-8004-03	DPPK25-M-DBP-W-K
37-way	6355-8004-04	DPPK37-M-DBP-W-K

Size:	P/N - Kitted:	Class 1 - 500 inserts min.
9-way	6355-8004-21	DPPK09-M-DMP-W-K
15-way	6355-8004-22	DPPK15-M-DMP-W-K
25-way	6355-8004-23	DPPK25-M-DMP-W-K
37-way	6355-8004-24	DPPK37-M-DMP-W-K

