

1

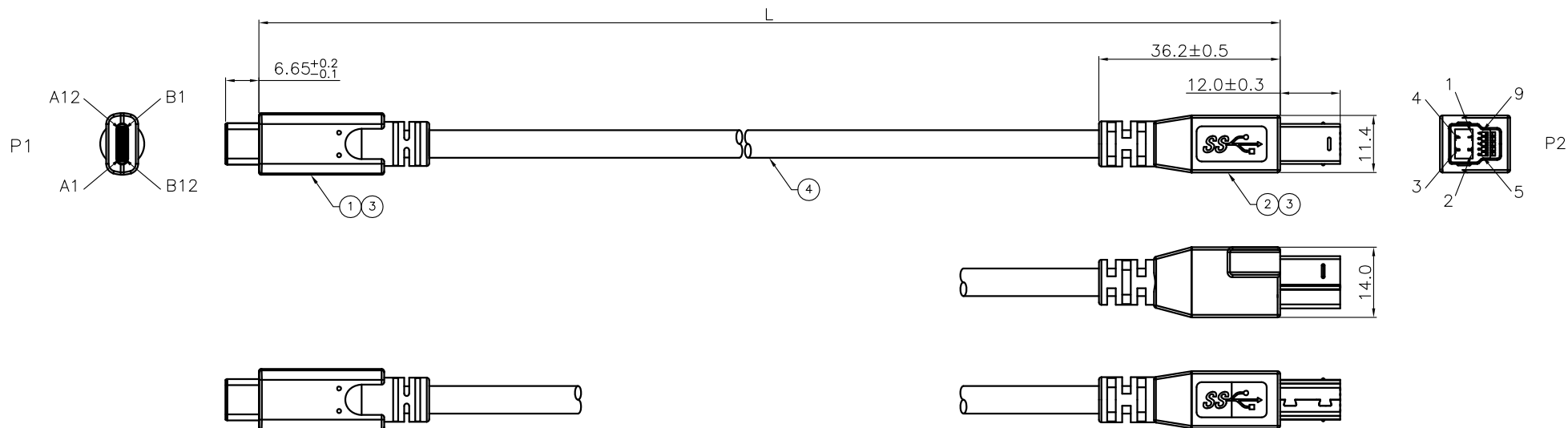
2

3

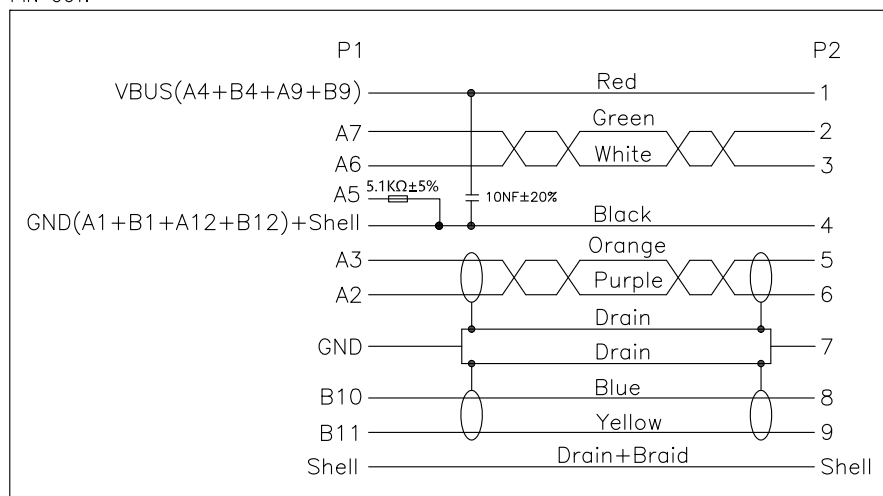
4

5

RoHS Compliant



PIN OUT:



P/N	L
105-1030-BL-00050-1	500±20
105-1030-BL-00100-1	1000±30
105-1030-BL-00200-1	2000±50
105-1030-BL-00300-1	3000±50
105-1030-BL-00500-1	5000±50

ITEM	DESCRIPTION	SPECIFICATION	Q'TY
1	Conn.	Type C Contact Gold Plated 3u", Insulator Black, OTG Rd=5.1kΩ, C1=10nf +Cable Clamp+Shell	1
2	Conn.	USB3.0 B/M Contact G/F, Insulator Blue+Cable Clamp+Shell	1
3	Outer molding	45P PVC Color:Black	A/R
4	Cable	7/0.12TS+PEF, ID:0.90*2C+D7/0.12TS+AL+M)*2P+(7/0.12TS+HDPE, ID0.7*1P)+(7/0.2TS+PVC ID:1.05*2C)+(PP 3800X2)+AL+D7/0.12BS+96/0.12ALMAG+PVC OD:5.5mm Black	A/R

F			
E			
D			
C			
B			
A	25-Aug-2022		Andrew
REV	DATE	FILE	BY

DRAWN:
CHECKED:
APPROVAL:

GENERAL TOLERANCE:
.X=±0.3
.XX=±0.15

UNIT: MM
SCALE: 1:1
SHEET: 1/1
PROJECTION:

CnC Tech Industrial Cable and Connector Technology	
DESCRIPTION: TYPE C M TO USB3.0 B M CABLE	SIZE A4
PART NO: 105-1030-BL-00XXX-1	