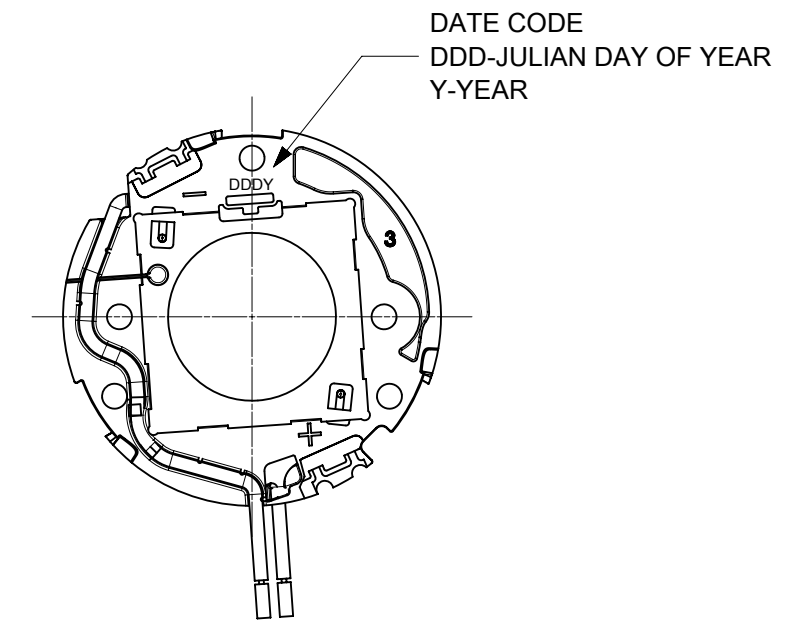
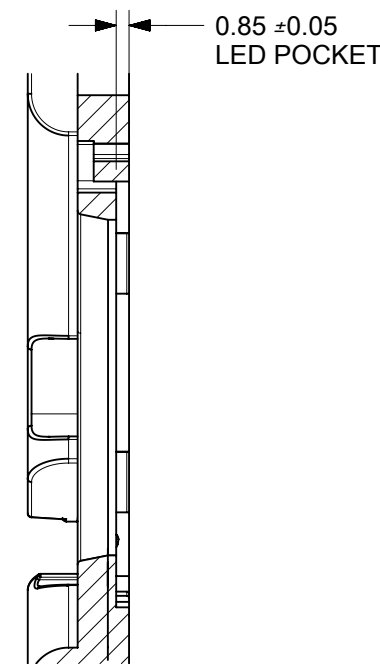


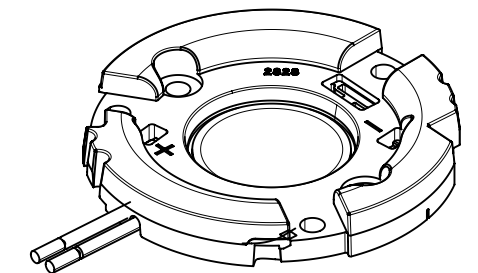
SECTION X-X



DATE CODE  
DDD-JULIAN DAY OF YEAR  
Y-YEAR



DETAIL B  
SCALE 2:1



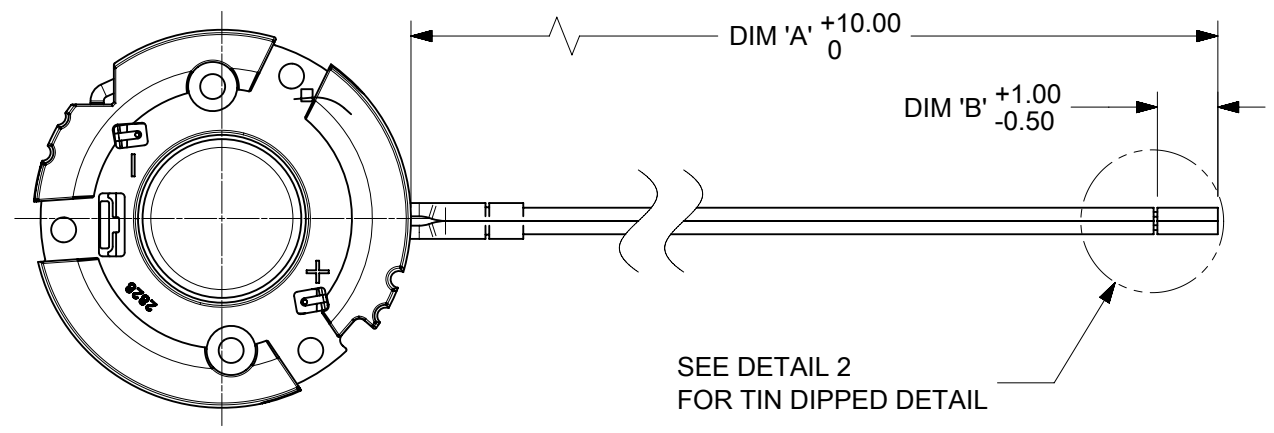
ISO VIEW  
SCALE 1:1

NOTES:

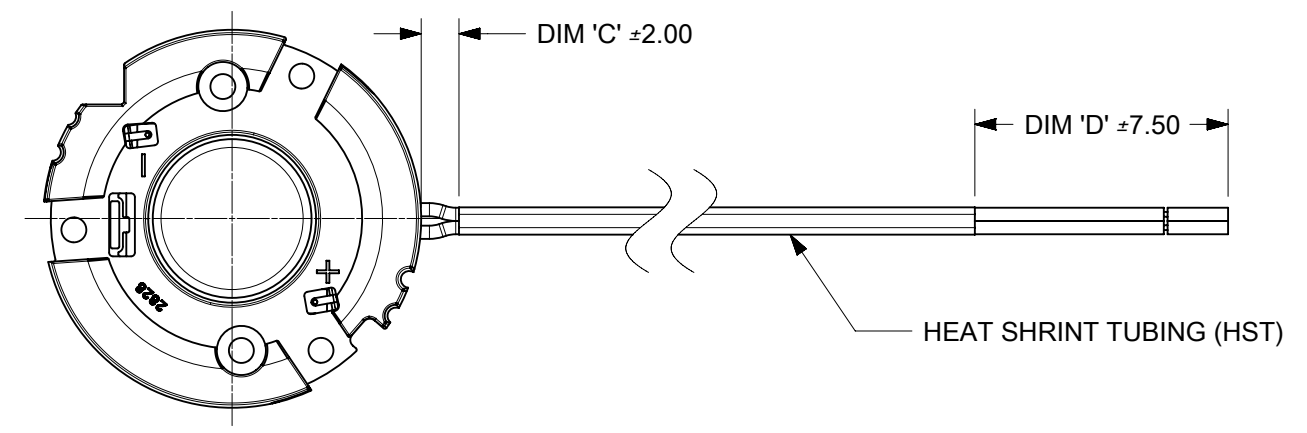
1. MATERIALS: HOUSING: POLYESTER (PBT), GLASS FILLED, UL94 V-0, COLOR: WHITE; TERMINALS: COPPER ALLOY. OPTIONAL: HEAT SHRINK TUBING
2. PLATING: TERMINAL CONTACT : SELECT GOLD (Au) OVER NICKEL (Ni).
3. WIRE SPECIFICATION: UL 3266, 125C, 300V, 20AWG
4. PRODUCT SPECIFICATION: PS-180555-002
5. PACKAGING SPECIFICATION: PK-180559-013 AND PK-180559-014.
6. APPLICATION SPECIFICATION: AS-180555-200.
7. DESIGNED TO BE USED WITH LUMILEDS COB 1211.
8. MOUNT HOLDER UTILIZING M3 SCREWS, TORQUE: 0.4 MINIMUM NEWTON METERS, 0.8 NEWTON METERS MAX.
9. UL 8754 RECOGNITION PENDING. FILE NUMBER: TBD
10. THIS PRODUCT IS ELV AND ROHS COMPLIANT
11. ALL DIMENSIONS IN PARENTHESIS (XX.XX) ARE FOR REFERENCE ONLY.

THIS DRAWING CONTAINS INFORMATION THAT IS PROPRIETARY TO MOLEX ELECTRONIC TECHNOLOGIES, LLC AND SHOULD NOT BE USED WITHOUT WRITTEN PERMISSION									
SYMBOLS	DIMENSION UNITS		SCALE		CURRENT REV DESC:				
	▽ = 0	mm		1:1					
▽ = 0	GENERAL TOLERANCES (UNLESS SPECIFIED)								
▽ = 0		MM	INCH						
▽ = 0	4 PLACES	±		EC NO: 618360					
▽ = 0	3 PLACES	±		DRWN: AKUMAR19 2019/04/24					
▽ = 0	2 PLACES	± 0.13		CHK'D: YXZHENG 2019/10/31					
▽ = 0	1 PLACE	± 0.25		APPR: YXZHENG 2019/10/31					
▽ = 0	0 PLACES	±		INITIAL REVISION:					
▽ = 0	ANGULAR TOL ± 0.5°			DRWN: MDEVITO001 2015/02/25					
▽ = 0	DRAFT WHERE APPLICABLE MUST REMAIN WITHIN DIMENSIONS			APPR: GMEYER 2015/04/15					
▽ = 0	THIRD ANGLE PROJECTION		DRAWING		SERIES		DOCUMENT NUMBER		REVISION
	B-SIZE		180555		SD-180555-151		PSD	000	B
	SEE TABLE		GENERAL MARKET		SHEET NUMBER		1 OF 3		

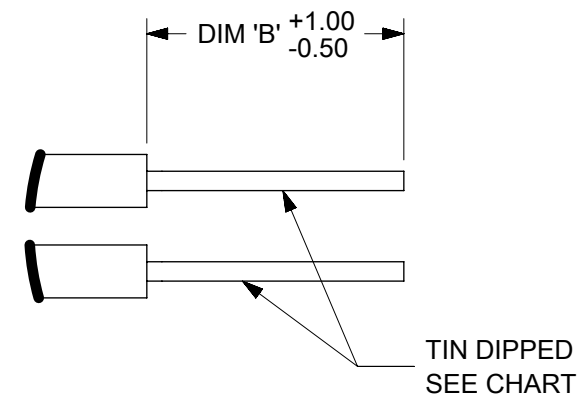
MOLEX PART NUMBER	DESCRIPTION	WIRE LENGTH	WIRE TYPE	FINISH	HEAT SHRINK TUBING	DIM. 'A'	DIM. 'B'	DIM. 'C'	DIM. 'D'
180555-1051	COB HOLDER W/O TUBING	600	STRANDED	TIN DIPPED	NO	600	8.5	X	X
180555-1058	COB HOLDER WITH HST	600	STRANDED	TIN DIPPED	YES (WHT)	600	8.5	5	22.5



COB HOLDER WITHOUT HEAT SHRINK TUBING



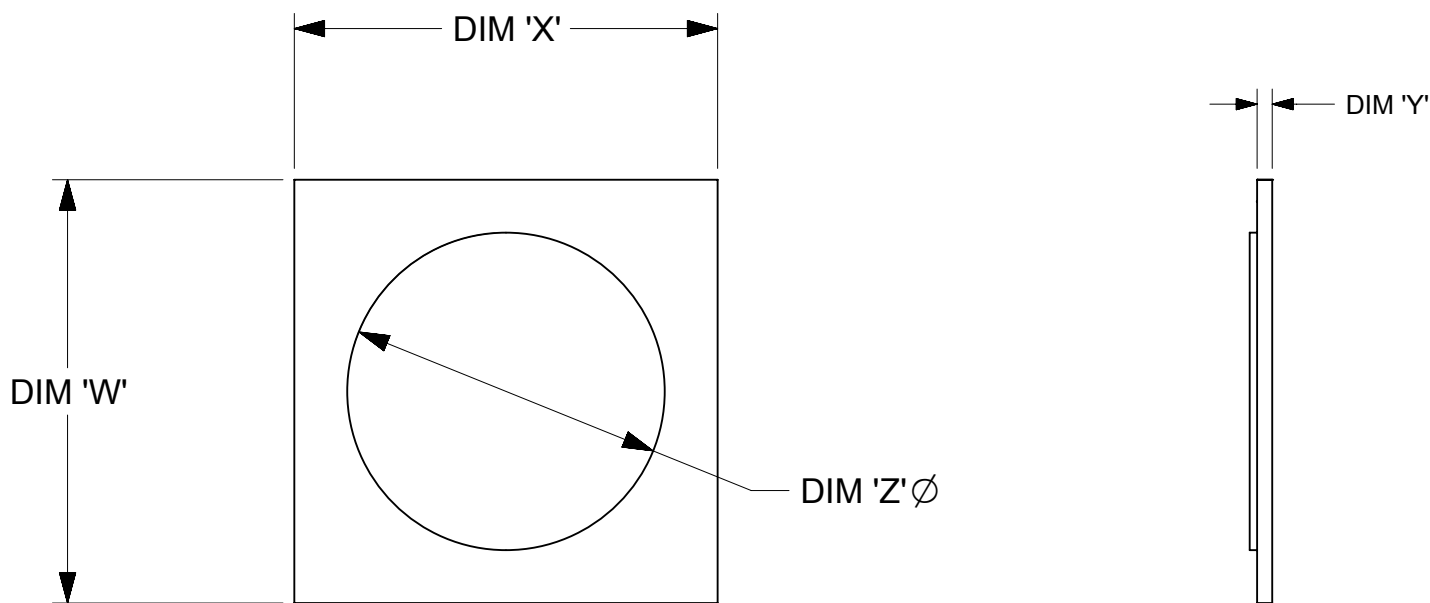
COB HOLDER WITH HEAT SHRINK TUBING



DETAIL 2  
SCALE 4:1

<b>SYMBOLS</b> = 0 = 0 = 0 = 0 = 0 = 0 = 0 = 0 = 0 = 0	THIS DRAWING CONTAINS INFORMATION THAT IS PROPRIETARY TO MOLEX ELECTRONIC TECHNOLOGIES, LLC AND SHOULD NOT BE USED WITHOUT WRITTEN PERMISSION		CURRENT REV DESC:				
	DIMENSION UNITS: <b>mm</b> SCALE: <b>1:1</b>	GENERAL TOLERANCES (UNLESS SPECIFIED)		EC NO: 618360 DRWN: AKUMAR19 2019/04/24 CHK'D: YXZHENG 2019/10/31 APPR: YXZHENG 2019/10/31		<b>SLIMRAY COB HOLDER</b> 28MM X 28MM ASSEMBLY	
	4 PLACES ± 3 PLACES ± 2 PLACES ± 0.13 ± 1 PLACE ± 0.25 ± 0 PLACES ±	MM INCH	INITIAL REVISION: DRWN: MDEVITO001 2015/02/25 APPR: GMEYER 2015/04/15				PRODUCT CUSTOMER DRAWING
	ANGULAR TOL ± 0.5° DRAFT WHERE APPLICABLE MUST REMAIN WITHIN DIMENSIONS	THIRD ANGLE PROJECTION	DRAWING: B-SIZE	SERIES: 180555		MATERIAL NUMBER: SEE TABLE CUSTOMER: GENERAL MARKET	DOCUMENT NUMBER: <b>SD-180555-151</b> DOC TYPE: PSD DOC PART: 000 REVISION: B

COB MFG	TYPE	DIM 'W'	DIM 'X'	DIM 'Y'	DIM 'Z'
LUMILEDS	LUXEON 1211	28.0	28.0	1.0	21.0



COB LED

<b>SYMBOLS</b> ▽ = 0 ▽ = 0 ▽ = 0 ▽ = 0 ▽ = 0 ▽ = 0 ▽ = 0 ▽ = 0 ▽ = 0 ▽ = 0	THIS DRAWING CONTAINS INFORMATION THAT IS PROPRIETARY TO MOLEX ELECTRONIC TECHNOLOGIES, LLC AND SHOULD NOT BE USED WITHOUT WRITTEN PERMISSION		CURRENT REV DESC:																			
	DIMENSION UNITS	SCALE	EC NO: 618360			SLIMRAY COB HOLDER 28MM X 28MM ASSEMBLY																
	mm	1:1	DRWN: AKUMAR19 2019/04/24																			
	GENERAL TOLERANCES (UNLESS SPECIFIED)		CHK'D: YXZHENG 2019/10/31		PRODUCT CUSTOMER DRAWING DOCUMENT NUMBER: SD-180555-151   DOC TYPE: PSD   DOC PART: 000   REVISION: B																	
	<table border="1"> <tr> <th></th> <th>MM</th> <th>INCH</th> </tr> <tr> <td>4 PLACES ±</td> <td></td> <td></td> </tr> <tr> <td>3 PLACES ±</td> <td></td> <td></td> </tr> <tr> <td>2 PLACES ±</td> <td>0.13</td> <td></td> </tr> <tr> <td>1 PLACE ±</td> <td>0.25</td> <td></td> </tr> <tr> <td>0 PLACES ±</td> <td></td> <td></td> </tr> </table>			MM		INCH	4 PLACES ±			3 PLACES ±			2 PLACES ±	0.13		1 PLACE ±	0.25		0 PLACES ±			APPR: YXZHENG 2019/10/31
		MM	INCH																			
	4 PLACES ±																					
	3 PLACES ±																					
	2 PLACES ±	0.13																				
	1 PLACE ±	0.25																				
0 PLACES ±																						
ANGULAR TOL ± 0.5°		INITIAL REVISION:		MATERIAL NUMBER: SEE TABLE   CUSTOMER: GENERAL MARKET   SHEET NUMBER: 3 OF 3																		
DRAFT WHERE APPLICABLE MUST REMAIN WITHIN DIMENSIONS		THIRD ANGLE PROJECTION	DRAWING: B-SIZE																			
		SERIES: 180555																				