

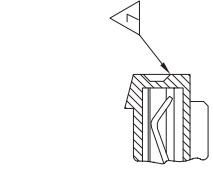
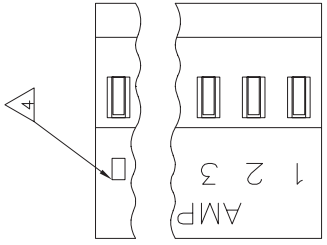
THIS DRAWING IS UNPUBLISHED.
 © COPYRIGHT BY TYCO ELECTRONICS CORPORATION. ALL RIGHTS RESERVED.

RELEASED FOR PUBLICATION
 BY TYCO ELECTRONICS CORPORATION.

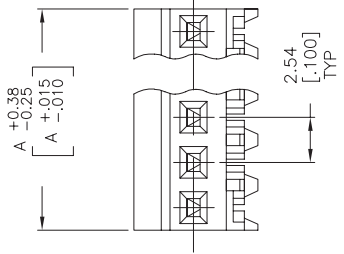
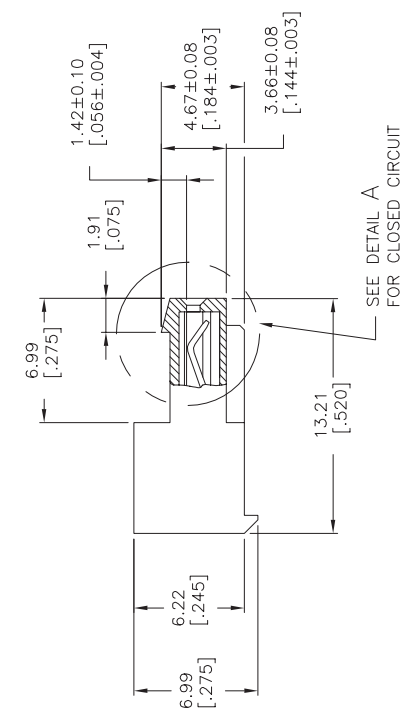
LOC
 CM 00

DIST
 P LTR R

REVISIONS
 DESCRIPTION
 REVISED PER ECO-07-003755
 DATE
 28FEB07
 UN / APP
 KW / DB

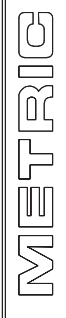


DETAIL A



TIN	NO. OF CIRCUITS	DIM A	PART NO
TIN-LEAD	9	22.86 [.900]	64.3588-9
FINISH			

- 1 MATERIAL: CONNECTOR - NYLON U194V-2 (WHITE).
 CONTACTS - 0.30[.012] THICK COPPER ALLOY
 MATTIE WHISKER MITIGATED TIN
 0.00203[.000080] MIN THICKNESS
 OVER NICKEL UNDERPLATE OR BRIGHT
 TIN-LEAD 93/7 0.00203[.000080] MIN
 THICKNESS. SEE FINISH COLUMN FOR
 PLATING TYPE.
2. CONTACTS ACCEPT 24 AWG WIRE WITH 1.52[.060] MAX
 INSULATION DIAMETER.
3. CONTACTS MUST ACCEPT 0.64±.03[.025±.001] SQUARE
 POST AND REMAIN LOCKED IN POSITION.
- 4 IDENTIFICATION NUMBER FOR LAST CIRCUIT MAY
 NOT APPEAR ON ALL ASSEMBLIES.
5. DIMENSIONS IN BRACKETS ARE IN INCHES.
6. HOUSING FEATURES ARE: CLOSED END WITH LOCKING
 RAMP.
- 7 DETAIL A SHOWS CIRCUIT NO.7 MOLDED CLOSED.



THIS DRAWING IS A CONTROLLED DOCUMENT.

DESIGNER: G. MILLER	DATE: 22 APR 91
CHECKED: B. LEWIS	DATE: 22 APR 91
APPROVED: G. MILLER	DATE: 22 APR 91
PRODUCT SPEC: 108-1050	
APPLICATION SPEC: 114-1019	
WEIGHT:	

OTHER FINISHES:
 P PL C ±
 F PL C ±
 R PL C ±
 ANGLE: ±
 FINISH: ±

DIMENSIONS:
 mm [INCHES]

MATERIAL:

CUSTOMER DRAWING:

SCALE: 5:1

TYCO ELECTRONICS CORPORATION
 Harrisburg, Pa 17105-3608

MTA-100 CONNECTOR ASSEMBLY,
 24 AWG, NO.7 CIRCUIT CLOSED,
 SPECIAL

SIZE: A2
 CASE CODE: 00779
 DRAWING NO: 643588

RESTRICTED TO: —

SHEET 1 OF 1