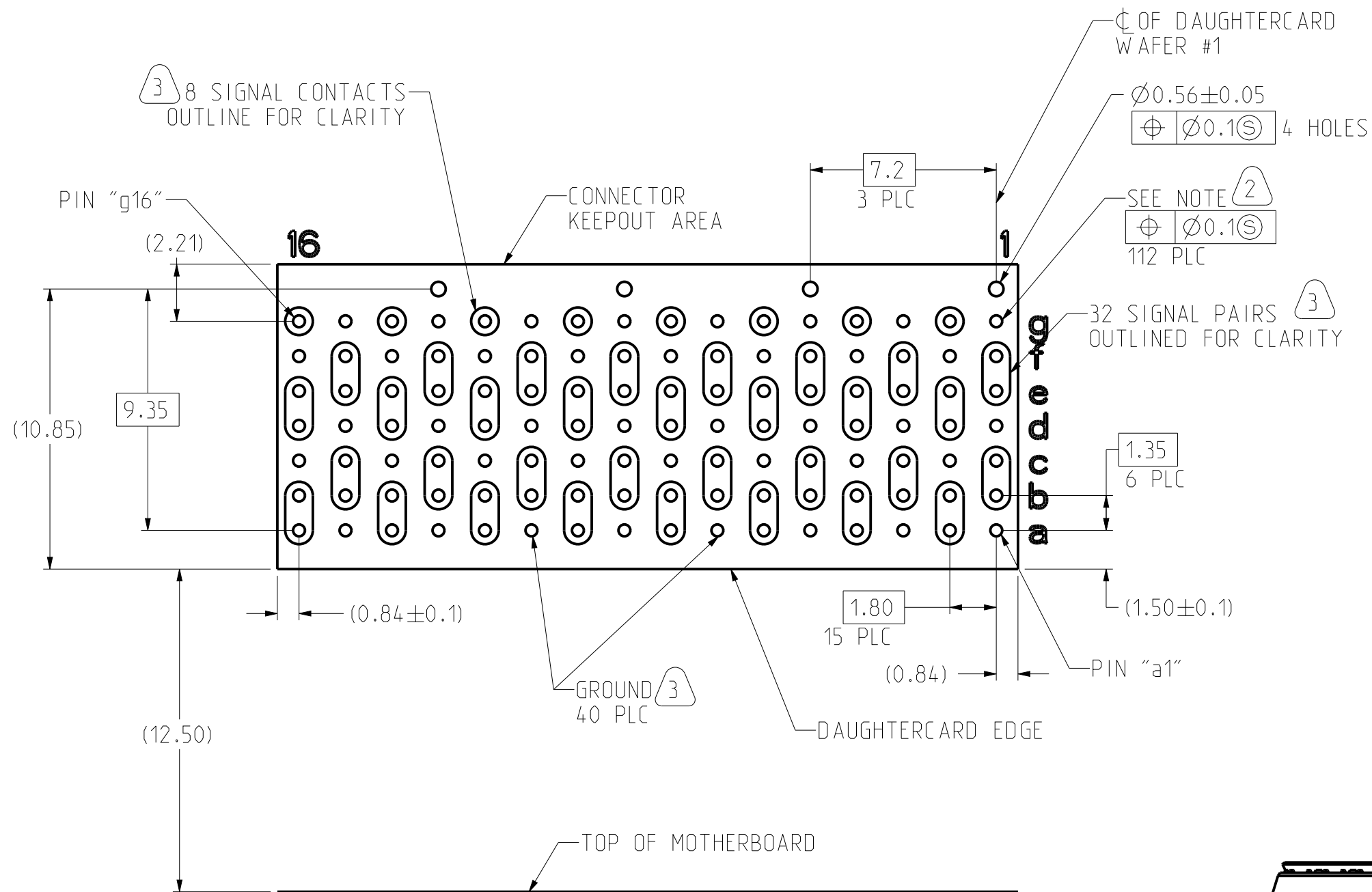


RVPX-PE21614XX DOCUMENT NO. SHEET 1 OF 2 REV. A

REV. A		SHEET 1 OF 2		DOCUMENT NO. RVPX-PE21614XX	
REVISIONS <b>M</b>					
LTR	DESCRIPTION			DATE	
A	INITIAL RELEASE			25-AUG-20	



PC BOARD REAR TRANSITION MODULE  
(CONNECTOR SIDE)  
SCALE 5/1

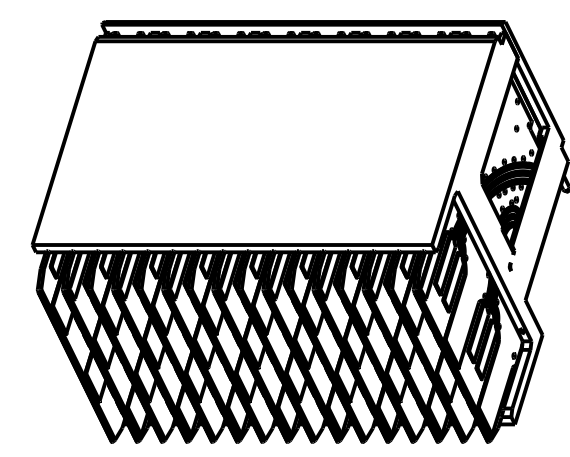


TABLE 1  
INTERCONNECTIONS WITH BACKPLANE  
CONNECTOR RVPX-JE216EXX, RVPX-JE216MXX  
OR RVPX-JE21612XX

TYPICAL INTERCONNECTIONS FOR COLUMN (WAFER): 1, 3, 5, 7, 9, 11, 13, 15		
CONTACT USAGE	DAUGHTERCARD CONNECTOR PIN	BACKPLANE CONNECTOR PIN
SIGNAL PAIR	ax	ax
	bx	bx
SIGNAL PAIR	dx	ex
	ex	fx
SIGNAL	gx	ix
GROUPS	cx, fx, (ALL COMMONED)	cx, dx, gx, hx

TYPICAL INTERCONNECTIONS FOR COLUMN (WAFER): 2, 4, 6, 8, 10, 12, 14, 16		
CONTACT USAGE	DAUGHTERCARD CONNECTOR PIN	BACKPLANE CONNECTOR PIN
SIGNAL PAIR	bx	cx
	cx	dx
SIGNAL PAIR	ex	gx
	fx	hx
GROUPS	ax, dx, gx, (ALL COMMONED)	ax, bx, ex, fx, ix

NOTE: "x" DESIGNATES THE COLUMN NUMBER

TABLE 2

PLATING THICKNESS AND MATERIAL BY PART NUMBER			
PART NUMBER	GOLD IN CONTACT AREA	COMPLIANT	NICKEL OVERALL
RVPX-PE21614M1	50 µ-INCH MIN	50 µ-INCH MIN TIN	50 µ-INCH MIN
RVPX-PE21614M2	50 µ-INCH MIN	50 µ-INCH MIN TIN-LEAD	50 µ-INCH MIN
RVPX-PE21614C1	30 µ-INCH MIN	50 µ-INCH MIN TIN	50 µ-INCH MIN
RVPX-PE21614C2	30 µ-INCH MIN	50 µ-INCH MIN TIN-LEAD	50 µ-INCH MIN

- 4 SEE TABLE 2 FOR PART NUMBER AND FINISHES
- 3 SEE TABLE 1 FOR INTERCONNECTIONS TO BACKPLANE CONNECTOR
- 2 PTH CALLOUT  
TYPICAL HOLE  
Ø0.38-.43 DRILL  
Ø0.31 ±.05 FINISH HOLE  
Ø0.66 PAD
- 1 HOUSING: GLASS FILLED LCP, UL94 - V0  
CONTACT: Cu ALLOY  
POST: STAINLESS STEEL, PASSIVATED

THE USE OF THIS DOCUMENT IS UNLIMITED. HOWEVER, DOCUMENTS REFERENCED HEREON MAY CONTAIN LIMITED RIGHTS DATA.

N/A  
NEXT ASSEMBLY

PRO/ENGINEER INFORMATION  
Pro/e Model Used:  
P1233-426-0008-001.ATCS.PART  
Drawing Name:  
RVPX-PE21614XX

UNLESS OTHERWISE SPECIFIED

SPECIFICATIONS

POS QTY PART NUMBER DESCRIPTION NOTE

LINEAR DIMENSIONS ARE IN MILLIMETERS  
TOLERANCES:  
.XXXX = ±. - ANGLES= ±1°  
.XXX = ±. -  
.XX = ±.13  
.X = ±.5

DIM. & TOL. PER ASME Y14.5M;  
DRM PER MIL-DTL-31000;  
OTHER Amphenol Stds. PER 9-3800

LEGENDS:  
=FLAG NOTE CALL OUT REFERENCE ONLY

MATERIAL SPEC. N/A

PROCESS SPEC. 9-3895 9-3856-5

APPROVALS

PREPARED BY S. LANGELIER  
ENGINEER IN CHARGE S. LANGELIER  
DESIGN MANAGER G. PECK  
DESIGN ACTIVITY GROUP BOARD LEVEL

DATE 25-AUG-20

THIRD ANGLE PROJECTION

PARTS LIST

**AMPHENOL CORPORATION**  
40-60 DELAWARE AVENUE  
SIDNEY, N.Y. 13858

**RIGHT-ANGLE PLUG ASSEMBLY  
CENTER, RVPX EVO 2, RTM  
DAUGHTERCARD CONNECTOR, DIFFERENTIAL**

SIZE **C** CAGE CODE **77820** DOCUMENT NO. **RVPX-PE21614XX** REV. **A**

SCALE: 5.0 REF. NONE SHEET 1 OF 2

REVISION A 0  
Eng. PDM Information For Reference Only  
SHEET 1 OF 2  
RVPX-PE21614XX

RVPX-PE21614XX

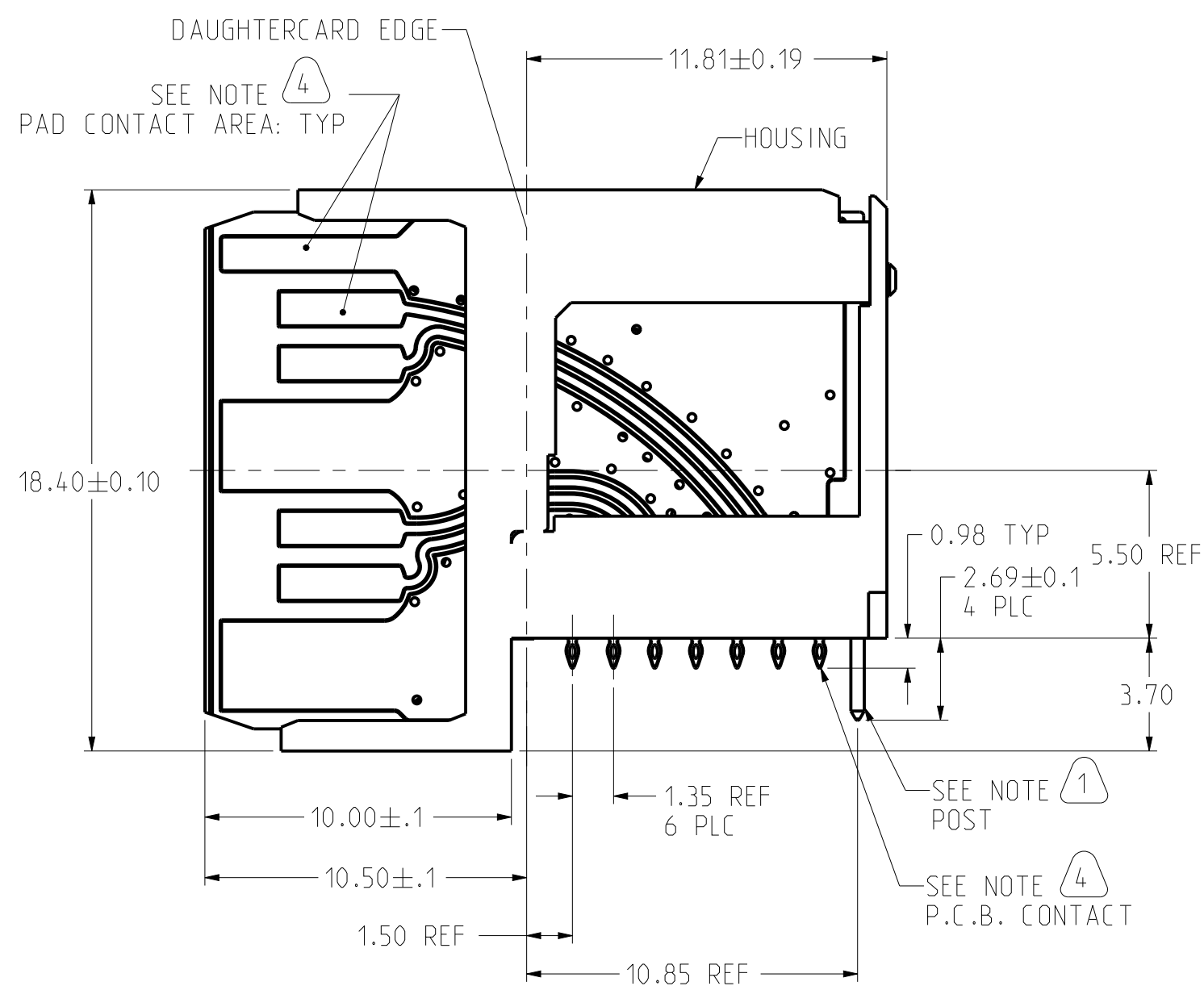
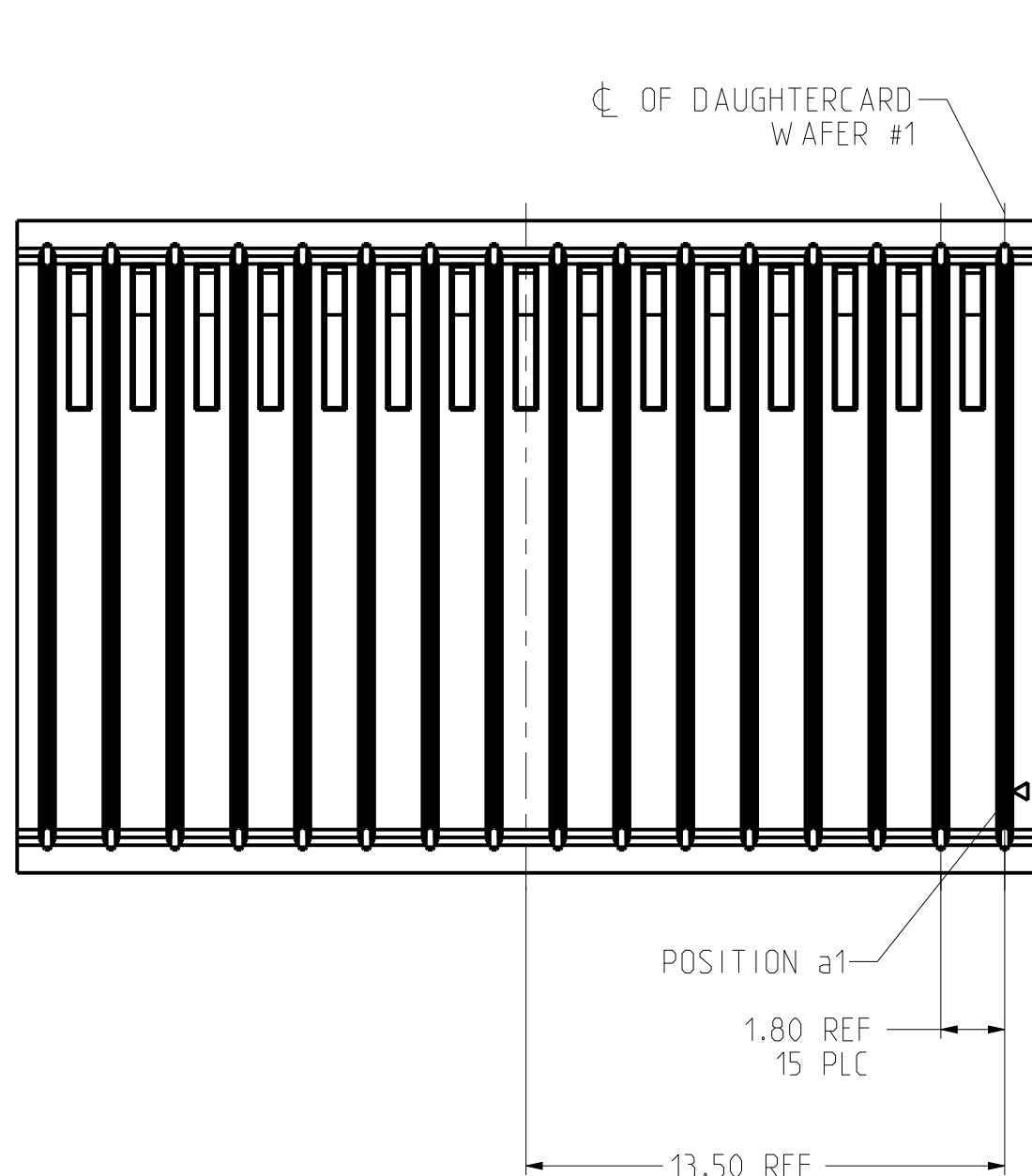
SHEET 2 OF 2

REV. A

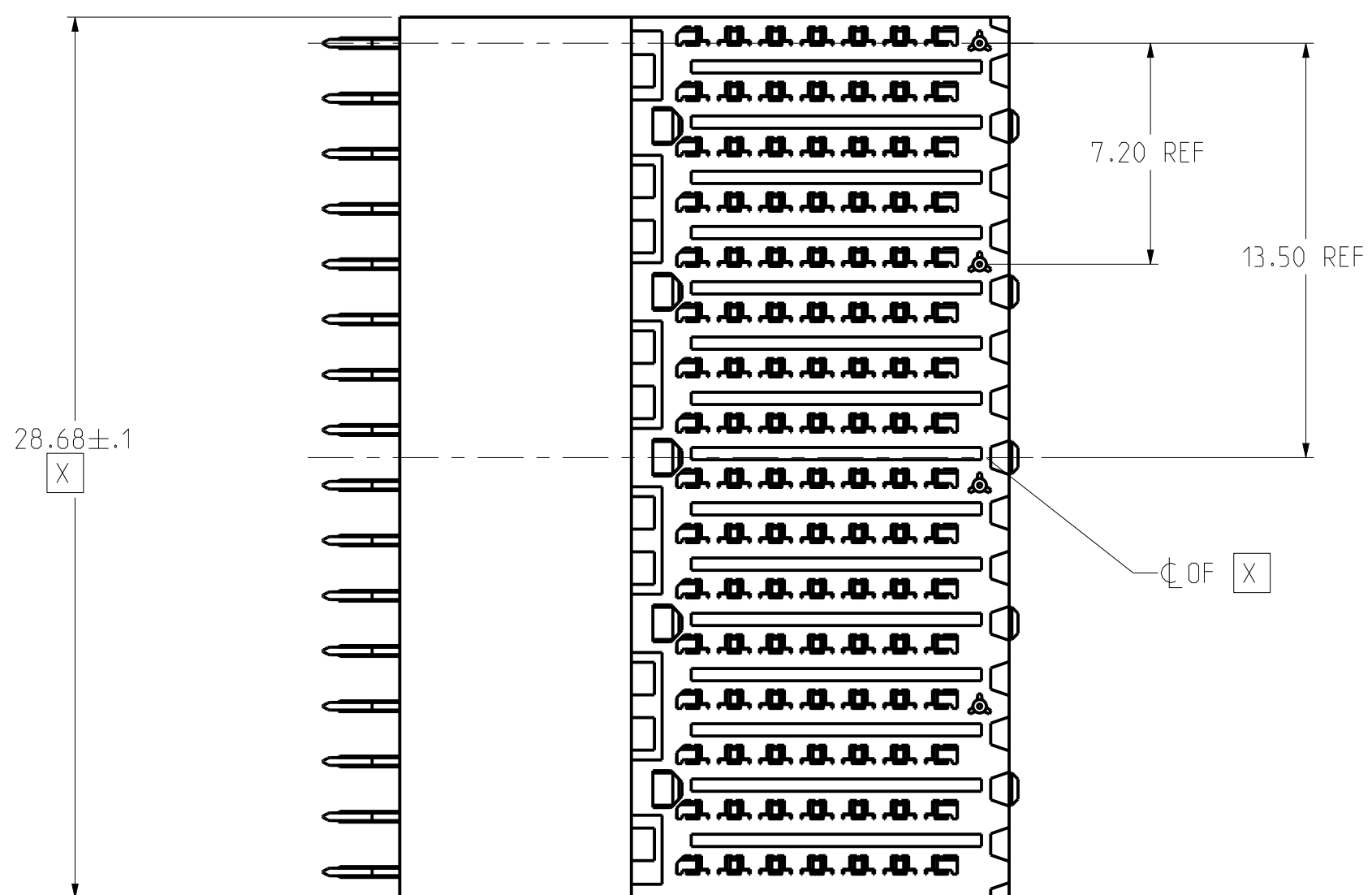
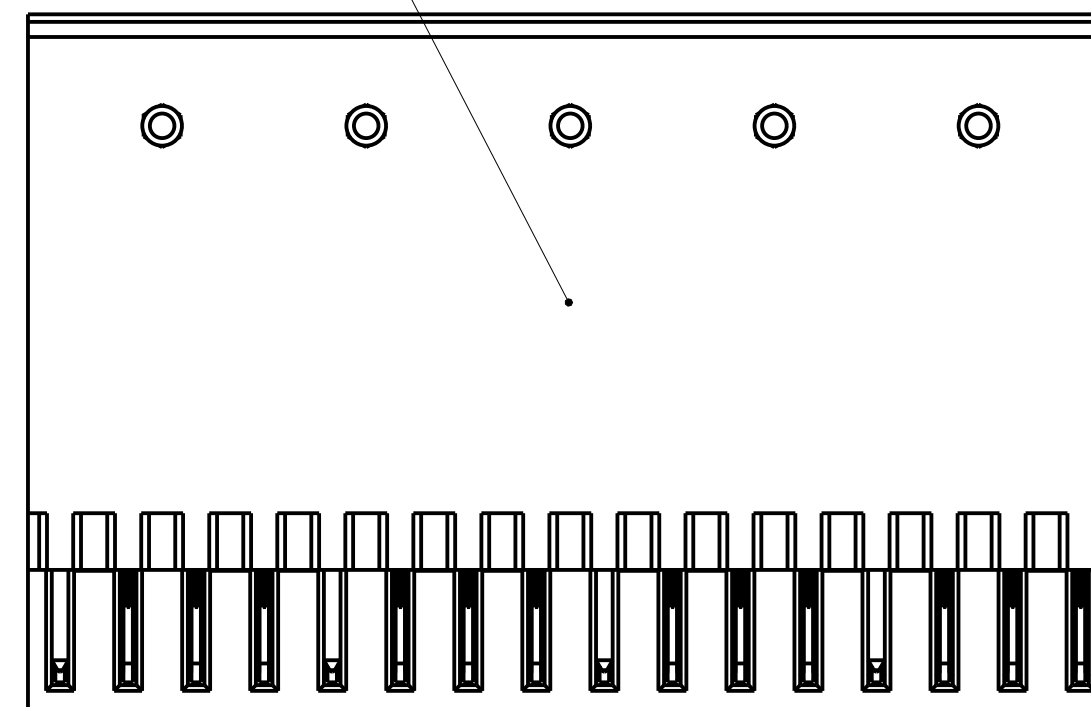
C

B

A



PART MARKING AS FOLLOWS  
 AMPHENOL 77820  
 'DATE CODE'  
 'AAO PART NUMBER'  
 'WORK ORDER NUMBER AS LOT NUMBER'



NOTES: SEE SHEET 1

THE USE OF THIS DOCUMENT IS UNLIMITED. HOWEVER, DOCUMENTS REFERENCED HEREON MAY CONTAIN LIMITED RIGHTS DATA.

RELEASED / Sep. 08 2020, 11:26:06 AM

RVPX-PE21614XX

SHEET 2 OF 2

REV. A

SIZE C	CAGE CODE 77820	DOCUMENT NO. RVPX-PE21614XX	REV. A
SCALE: 5.0		REF: NONE	SHEET 2 OF 2

D

C

0

A

Eng. PDM Information For Reference Only

REV. A

SHEET 2 OF 2

RVPX-PE21614XX