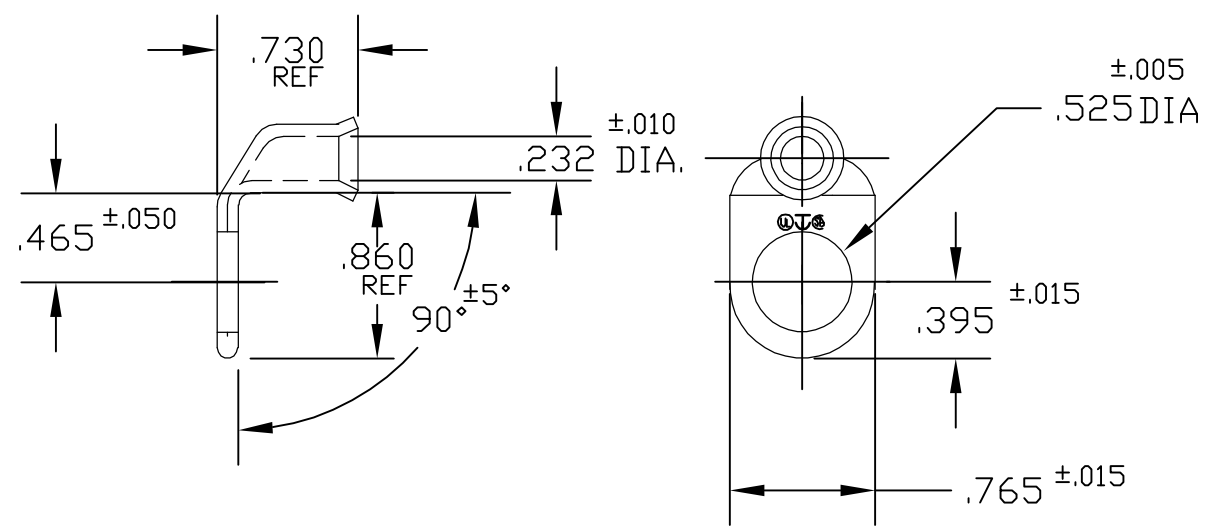


THIS DRAWING IS UNPUBLISHED. RELEASED FOR PUBLICATION
 © COPYRIGHT - BY TYCO ELECTRONICS CORPORATION. ALL RIGHTS RESERVED.

LOC	DIST	REVISIONS					
		P	LTR	DESCRIPTION	DATE	DWN	APVD
G	50		B1	REV PER ECR 06-008550	20APR06	JR	DD



ACTIVE	6503-09-90	STANDARD	TIN PLATE	1526220-2
ACTIVE	6503-08-90	STANDARD	PLAIN	1526220-1
STATUS	AET P/N	PACKAGING	FINISH	PART NUMBER

THIS DRAWING IS A CONTROLLED DOCUMENT.		DWN D.A.A 10/27/00	Tyco Electronics Corporation Harrisburg, PA 17105-3608				
DIMENSIONS: INCHES		CHK H.D.F 10/27/00				NAME 6 STANDARD TERMINAL WITH 90° BEND	
		APVD H.D.F 10/27/00				PRODUCT SPEC -	
TOLERANCES UNLESS OTHERWISE SPECIFIED:		APPLICATION SPEC -	SIZE A3	CAGE CODE 00779	DRAWING NO C-1526220	RESTRICTED TO -	
MATERIAL COPPER ASTM B-152		FINISH -	WEIGHT -	SCALE 1:1		SHEET 1 OF 1	REV B1
CUSTOMER DRAWING							