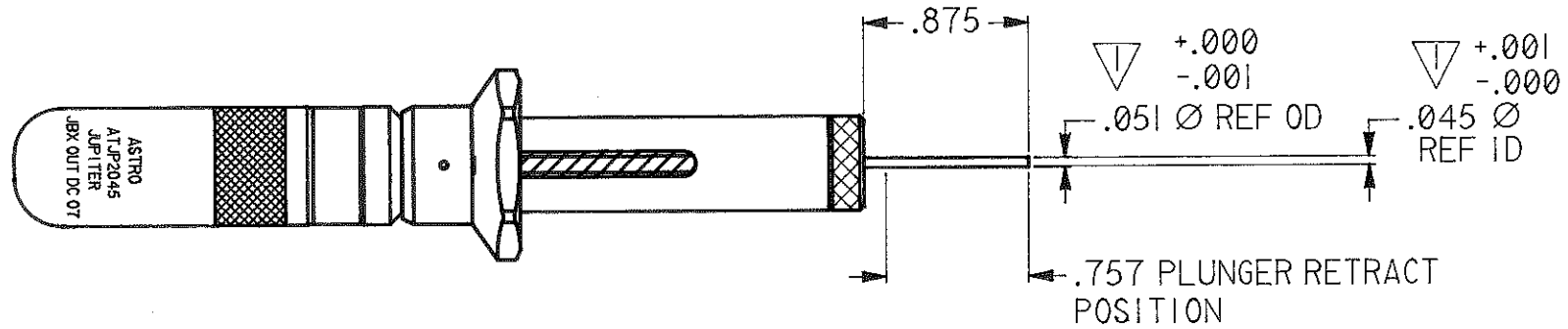


**UNCONTROLLED DOCUMENT
WILL NOT BE UPDATED**

**FILE# ATJP2045C
CAD# 2JP2045C**



- 5. NOTIFY BURNDY/FCI AFTER ANY CHANGES TO THIS DRAWING.
- 4. THIS IS A CUSTOMER REFERENCE DRAWING, TO ORDER USE P/N ATJP2045.
- 3. REF: JUPITER # JBX OUT DC 07.
- 2. COLOR CODE: RED
- 1. THIS IS A CAD DRAWING DO NOT CHANGE MANUALLY

NOTES:

FILE COPY

ADD'D: NOTE# 5.		D Mc	9/30/93	d y o	<small>THESE DRAWINGS, SPECIFICATIONS OR OTHER DATA ARE AND REMAIN THE PROPERTY OF ASTRO TOOL CORP. AND MUST BE RETURNED UPON REQUEST. THEY CONTAIN INFORMATION OWNED AND/OR DEVELOPED BY ASTRO AT ITS OWN PRIVATE EXPENSE AND MAY NOT BE USED, DUPLICATED OR DISCLOSED TO OTHERS, IN WHOLE OR IN PART FOR DESIGN, MANUFACTURE, OR PROCUREMENT WITHOUT THE WRITTEN PERMISSION OF ASTRO TOOL CORP. EACH AND EVERY TIME.</small>	SCALE: 1:1	UNLESS OTHERWISE SPECIFIED: DECIMALS: .XXX ± .005 .XX ± .010 .X ± .030 ANGLES: ± 1°		CAGE 58164
2	SEE ECO# 15169					DWN BY: GM			DATE: 4-9-93
REV.	DESCRIPTION	BY	DATE	APR.		APPROVED:		PART NO. A ATJP2045C	