



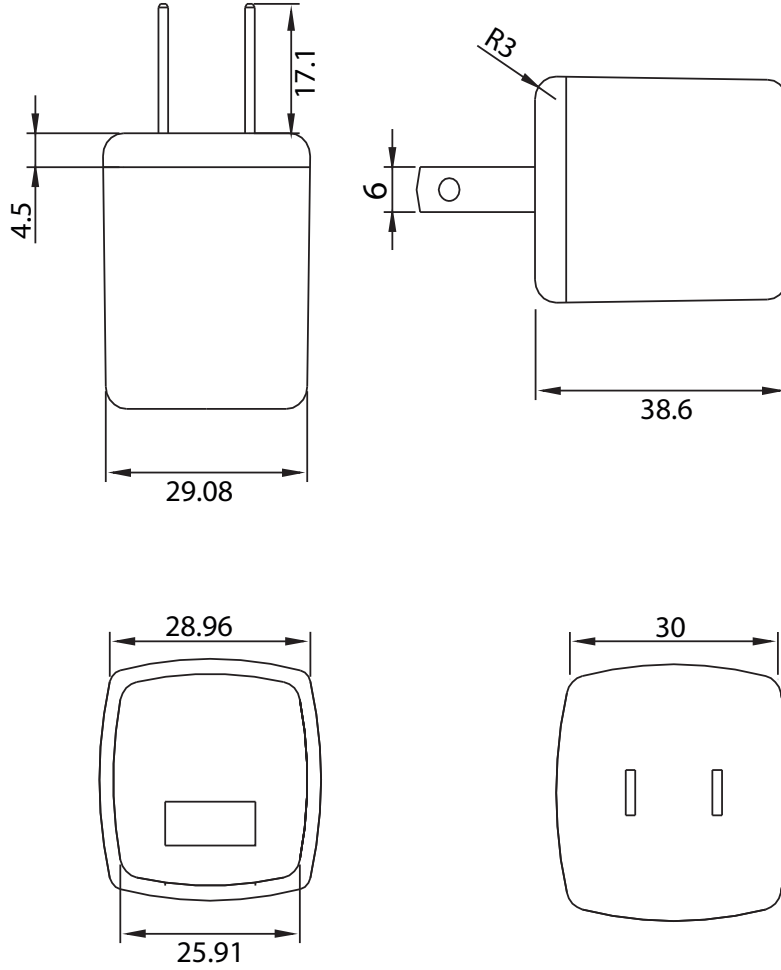
**Features:**

- Universal AC input/ Full range
- Energy Efficiency Level VI
- 2 Pole USA Plug (NEMA 1-15P)
- Wide Operating Ambient Temperature (-20°C~40°C)
- Pass LPS
- High Efficiency, and High Reliability
- Output Protections: OLP/OVP/SCP
- No Load Power Consumption <0.1W



Model	QFAW-05-05	QFAW-06-06
<b>Output Characteristics</b>		
DC Output	5V	5.9V
Rated Current	1A	1A
Current Range	0~1A	0~1A
Ripple and Noise (max)	50mV	
Voltage Accuracy	±10%	
Line Regulation	±1.0%	
Load Regulation	±5.0%	
Set-up Time	<3.0s (100VAC input, full load)	
Hold-up Time	>10ms (100VAC input, full load)	
<b>Input Characteristics</b>		
Voltage Range	90VAC~264VAC	
Frequency Range	47Hz-63Hz	
Efficiency	Level VI	
AC Current (max)	0.3A	
Inrush Current (Typical)	30A@100VAC Cold start, 75A@240VAC Cold start	
<b>Protection</b>		
Over Load (OLP)	Shutdown, auto recovery	
Over Voltage (OVP)	Shutdown, auto recovery	
Short Circuit (SCP)	Shutdown, auto restart	
<b>Environmental Characteristics</b>		
Operating Amb. Temp. & Hum	-20°C~40°C; 20%~90% RH Non-Condensing	
Storage Temp. & Hum	-20°C~75°C; 0%-90% RH Non-Condensing	
Safety Standards	UL60950-1	
EMI Conduction & Radiation	Compliance to FCC part 15 Class B	
<b>General Characteristics</b>		
MTBF	More than 50,000Hrs (25°C, Full load)	
Dimension (LxWxH)	38.6x30x30mm	

### MECHANICAL SPECIFICATIONS



UNIT: mm