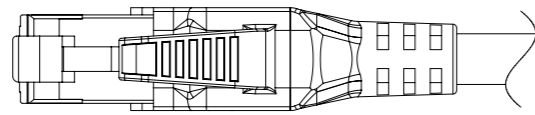
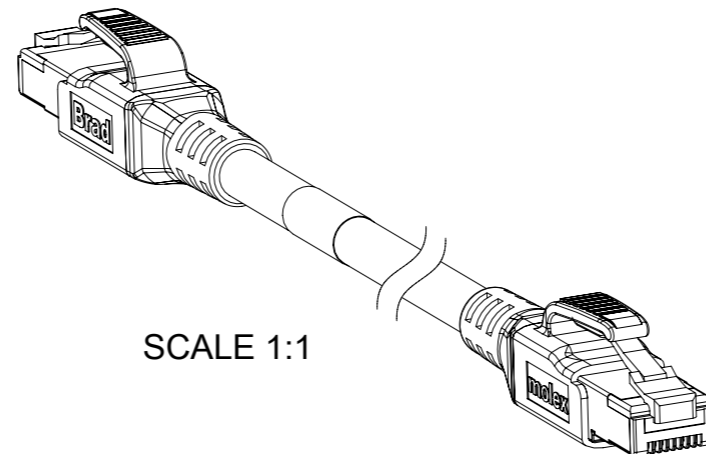
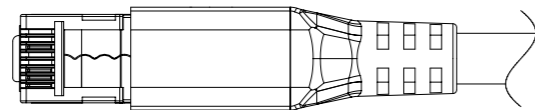
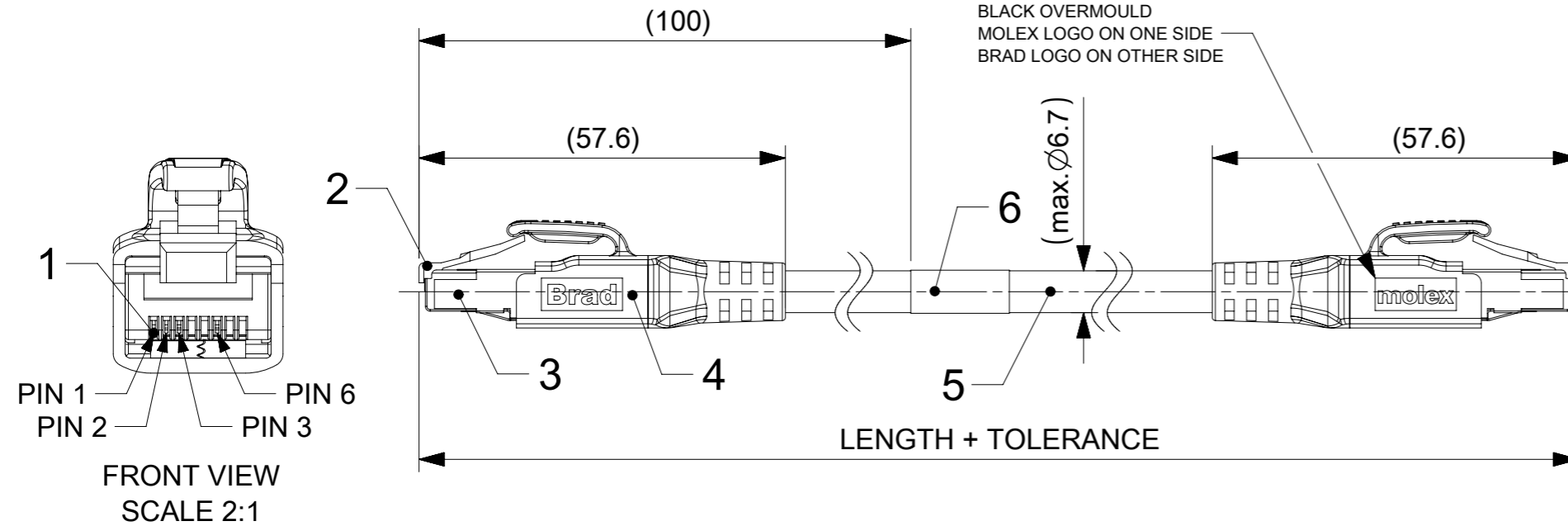
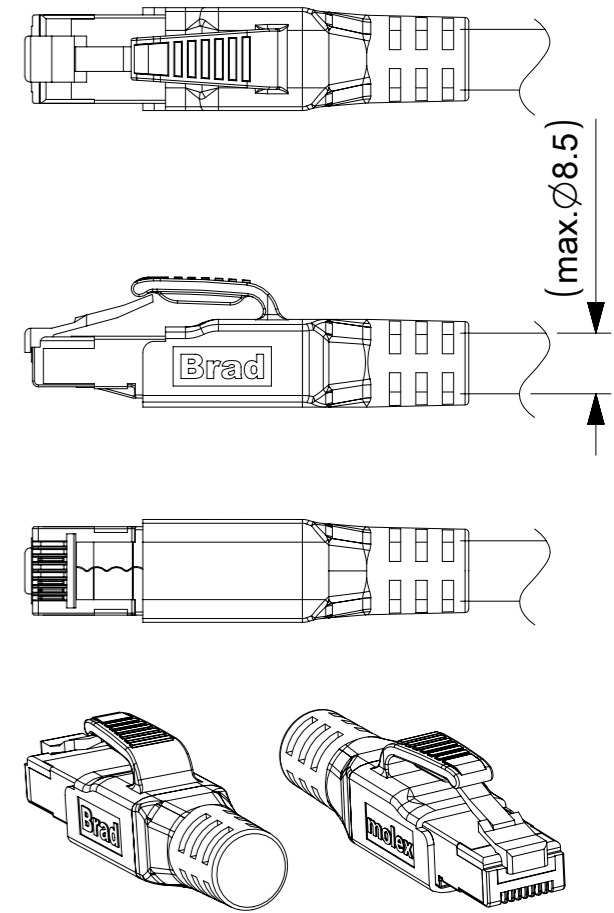


PLUG RJ45 STRAIGHT TO PLUG RJ45 STRAIGHT

OVERMOLD VIEW FOR CABLES O.D. ≤ 6.7mm



OVERMOLD VIEW FOR CABLES O.D. ≥ 6.7mm



NOTES:

1. MATERIALS : SEE BOM TABLE
2. FINISHES: SEE BOM TABLE
3. ELECTRICAL DATA:
MAX. VOLTAGE RATING 60 VDC
MAX. CURRENT PER CONTACT 1.5 A
4. ENVIRONMENTAL PARAMETERS FOR CONNECTOR:
STATIC OPERATING TEMP: -40°C to +85°C
INDEX OF PROTECTION RJ45: IP20
5. FOR MORE INFORMATION SEE PRODUCT SPECIFICATION 1201080202 PS P00
6. TRANSMISSION CHARACTERISTICS ACCORDING TO ISO/IEC 11801 CLASS D CHANNEL

BOM

| ITEM | QTY. | DESCRIPTION | MATERIAL | FINISH |
|------|---------|-----------------------|-----------------|----------------|
| 1 | 8 or 16 | CONTACT RJ45 MALE | PHOSPHOR BRONZE | SELECTIVE GOLD |
| 2 | 2 | PLUG RJ45 TRANSPARENT | POLYCARBONATE | --- |
| 3 | 2 | SHIELD | BRASS | TIN |
| 4 | - | OVERMOULDING BLACK | TPU | --- |
| 5 | - | CABLE | SEE SHEET 2 | --- |
| 6 | 1 | LABEL | VINYL | --- |

| | | | | |
|--|---|--|---|--|
| FUNCTIONAL SYMBOLS | THIS DRAWING CONTAINS INFORMATION THAT IS PROPRIETARY TO MOLEX ELECTRONIC TECHNOLOGIES, LLC AND SHOULD NOT BE USED WITHOUT WRITTEN PERMISSION | | | |
| | $\nabla_A = 0$ $\nabla_E = 0$ $\nabla_V = 0$ | DIMENSION UNITS: mm SCALE: 1:1 | | |
| DIVISIONAL SYMBOLS | GENERAL TOLERANCES (UNLESS SPECIFIED) | | EC NO: 703089 | |
| | ANGULAR TOL ± 1.0° 4 PLACES ± 3 PLACES ± 2 PLACES ± 0.05 1 PLACE ± 0.3 0 PLACES ± 0.5 | DRWN: MBLOESER 2022/03/14 CHK'D: RSILLER 2022/05/16 APPR: RSILLER 2022/05/16 | PRODUCT CUSTOMER DRAWING | |
| DRAFT WHERE APPLICABLE MUST REMAIN WITHIN DIMENSIONS | | INITIAL REVISION: DRWN: JMARSZALEK 2016/02/08 APPR: RSILLER 2021/12/21 | DOCUMENT NUMBER: 1201080202 DOC TYPE: PSD DOC PART: 000 REVISION: A1 | SHEET NUMBER: 1 OF 2 |
| THIRD ANGLE PROJECTION | | DRAWING: A3-SIZE | SERIES: 120108 | MATERIAL NUMBER: SEE PART LIST CUSTOMER: GENERAL MARKET |

NUMERICAL CODE (Available parts see PART LIST table. Other parts available upon request)

OPTIONS

E 6 6 A 0 6 0 1 1 M X X X X

- E=Ethernet
- Heads: 66=Double ended RJ45
- Wiring type
- Heads style: 060=RJ45 Plug STR / RJ45 Plug STR
- Cable type: See cable table
- Units: M=Meter C=Centimeter
- Length Examples: 005=0.5 units 010=1 units 150=15 units
- H= 2 pcs. of I/D Carrier

CABLE INFORMATION (for more information see Cable Data Sheet).

| CABLE TYPE | CABLE O.D. | APPLICATION | CROSS SECTION | CABLE JACKET | UL | TEMP. RANGE STATIC BENDING RADIUS STATIC | TEMP. RANGE DYNAMIC BENDING RADIUS DYNAMIC | CYCLES | ADDITIONAL INFORMATION |
|------------|------------|-----------------|---------------|--------------|-------------|--|--|----------|------------------------|
| 11 | 6.7mm | PROFINET TYPE C | 22AWG | PUR GREEN | STYLE 20236 | -20°C to +60°C / min.5xO.D. | -20°C to +60°C / min.15xO.D. | about 2M | - |

PART LIST

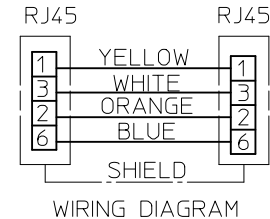
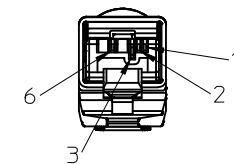
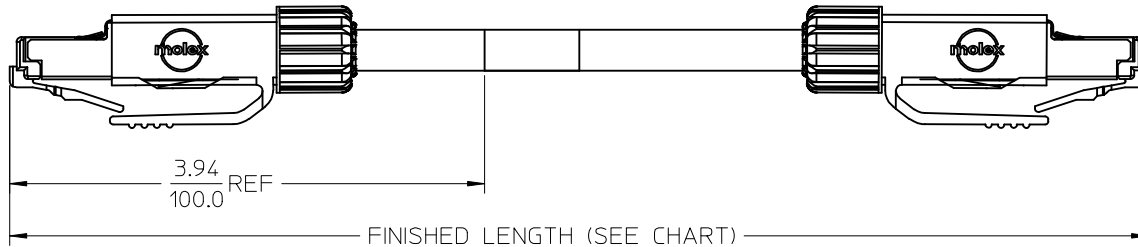
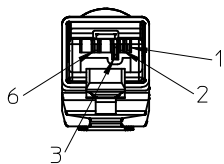
| Part No. | Engineering No. | Cable Length |
|------------|-----------------|--------------|
| 1201080207 | E66A06011M005 | 0.5m |
| 1201080267 | E66A06011M010 | 1m |
| 1201080202 | E66A06011M020 | 2m |
| 1201080269 | E66A06011M030 | 3m |
| 1201080270 | E66A06011M040 | 4m |
| 1201080271 | E66A06011M050 | 5m |
| 1201080272 | E66A06011M060 | 6m |
| 1201088128 | E66A06011M070 | 7m |
| 1201088129 | E66A06011M090 | 9m |
| 1201080273 | E66A06011M100 | 10m |
| 1201088112 | E66A06011M120 | 12m |
| 1201080274 | E66A06011M150 | 15m |
| 1201080275 | E66A06011M200 | 20m |
| 1201080276 | E66A06011M250 | 25m |
| 1201080277 | E66A06011M300 | 30m |
| 1201088113 | E66A06011M400 | 40m |
| 1201080278 | E66A06011M500 | 50m |
| 1201088114 | E66A06011M600 | 60m |
| 1201088119 | E66A06011C650 | 65m |
| 1201088248 | E66A06011M700 | 70m |
| 1201088115 | E66A06011M800 | 80m |
| 1201088197 | E66A06011M900 | 90m |
| 1201088280 | E66A06011M010H | 1m |
| 1201088265 | E66A06011M020H | 2m |
| 1201088281 | E66A06011M030H | 3m |

WIRING DIAGRAM FOR CABLE TYPE 11



| CABLE LENGTH TOLERANCES | |
|-------------------------|------------|
| LENGTH | TOLERANCE |
| 0m-1m | +40 mm |
| >1m-5m | +60 mm |
| >5m-10m | +80 mm |
| >10m-20m | +140 mm |
| >20m-30m | +160 mm |
| >30m | +1% length |

| | | |
|--------------------|---|--------------------------------|
| FUNCTIONAL SYMBOLS | THIS DRAWING CONTAINS INFORMATION THAT IS PROPRIETARY TO MOLEX ELECTRONIC TECHNOLOGIES, LLC AND SHOULD NOT BE USED WITHOUT WRITTEN PERMISSION | |
| △/A = 0 | DIMENSION UNITS: mm | SCALE: 1:1 |
| △/E = 0 | CURRENT REV DESC: ADD CABLE11; REMOVE CABLE12 AND CABLE16 | |
| △/V = 0 | GENERAL TOLERANCES (UNLESS SPECIFIED) | |
| DIVISIONAL SYMBOLS | ANGULAR TOL ± 1.0° | EC NO: 703089 |
| | 4 PLACES ± | DRWN: MBLOESER 2022/03/14 |
| | 3 PLACES ± | CHK'D: RSILLER 2022/05/16 |
| | 2 PLACES ± 0.05 | APPR: RSILLER 2022/05/16 |
| | 1 PLACE ± 0.3 | INITIAL REVISION: |
| | 0 PLACES ± 0.5 | DRWN: JMARSZALEK 2016/02/08 |
| | DRAFT WHERE APPLICABLE MUST REMAIN WITHIN DIMENSIONS | APPR: RSILLER 2021/12/21 |
| | THIRD ANGLE PROJECTION | DRAWING: A3-SIZE |
| | SERIES: 120108 | MATERIAL NUMBER: SEE PART LIST |
| | CUSTOMER: GENERAL MARKET | DOCUMENT NUMBER: 1201080202 |
| | | DOC TYPE: PSD |
| | | DOC PART: 000 |
| | | REVISION: A1 |
| | | SHEET NUMBER: 2 OF 2 |



NOTES:

- 1) MATERIAL: SEE TABLE
- 2) FINISHES: SEE TABLE
- 3) CABLE: #22/4 SHIELDED PUR
- 4) ELECTRICAL DATA:
ACCORDING TO CAT5e ETHERNET STANDARD
MAX. VOLTAGE: 30V
MAX. CURRENT 1.5A
- 5) ENVIRONMENTAL:
PROTECTION IP67
TEMPERATURE RANGE: -20°C TO 60°C
- 6) WRAP LABEL IS MARKED WITH P/N, DATE CODE,
VOLTAGE & AMPERAGE.
- 7) ASSEMBLY IS RoHS COMPLIANT.

ADDITIONAL CABLE PARAMETERS

| PHYSICAL CHARACTERISTICS: | |
|---------------------------|--|
| CONDUCTOR PAIR SIZE | #22 (7 X #30) BARE COPPER ALLOY |
| WIRE CROSS SECTION | 0.34mm ² (NOM.) |
| INSULATION TYPE | POLYOLEFIN INSULATION |
| FOIL SHIELD | PLASTIC/ALUMINIUM FOIL WITH FOIL OUT |
| BRAID SHIELD | TINNED COPPER BRAID WITH MIN. 85% COVERAGE |
| OUTSIDE DIAMETER | Ø 6.7mm (.264") |
| JACKET INSULATION | GREEN PUR |
| PROFINET CABLE STYLE | TYPE C |

| ENVIRONMENTAL CHARACTERISTICS: | |
|--------------------------------|---------------|
| FLAME RESISTANCE | FT1 APPROVED |
| AGENCY CERTIFICATIONS | UL AND CSA |
| OPERATION TEMPERATURE | -20°C TO 60°C |
| STORAGE TEMPERATURE | -40°C TO 80°C |
| HALOGEN FREE | IEC 60754-1 |
| SILICONE FREE | YES |
| CFC-FREE | YES |

| MECHANICAL CHARACTERISTICS FOR C-TRACK APPLICATIONS: | |
|--|---------------------------|
| MIN. BENDING RADIUS | 15xCABLE DIAMETER |
| OPERATING WAY | 5M OF TRAVEL |
| SPEED | 200M/Min. |
| MAX. C-TRACK CYCLES | 5 MILLION |
| ACCELERATION | MAX. 2m/s |
| WELD SLAG RESISTANCE | NO TEST RESULTS AVAILABLE |

IMPRINT: X N X 2x2xAWG22/7-9H(ST)C11Y INDUSTRIAL ETHERNET
PROFINET TYP C E48408 cULus AWM STYLE 20236
AWM I/II A/B 80°C 30 V FT1

| QTY. | DESCRIPTION | MATERIAL | FINISH |
|------|----------------------|--------------|--------------|
| 1 | LABEL | PLASTIC FILM | BLACK/YELLOW |
| 2 | RJ45 PLUG | N/A | BLACK |
| 1 | ETHERNET CABLE-CAT5E | PUR JACKET | GREEN |

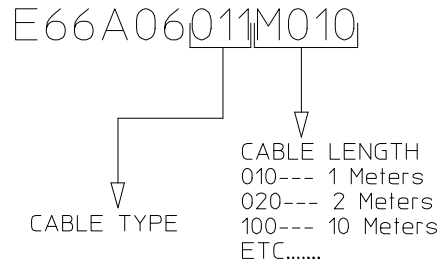
| | | |
|--|-----------------|-------------|
| ADDED PART NO. TABLE EC NO: IPG2015-2010 DRAWING: GUSTAFSON 2015/05/22 CHKD: BARDEN 2015/07/16 APPR: BWOODMAN 2015/06/09 | QUALITY SYMBOLS | DESCRIPTION |
| | ▽=0 | |
| | ▽=0 | |
| | REV | |

| GENERAL TOLERANCES (UNLESS SPECIFIED) | | |
|---------------------------------------|--------|--------|
| | mm | INCH |
| 4 PLACES | ± --- | ± --- |
| 3 PLACES | ± --- | ± .005 |
| 2 PLACES | ± 0.13 | ± .010 |
| 1 PLACE | ± 0.25 | ± .020 |
| ANGULAR ±1/2° | | |

| DIMENSION STYLE | |
|-----------------|------------|
| IN/MM | |
| DRAWN BY | DATE |
| BRUPERT | 2011/11/28 |
| CHECKED BY | DATE |
| APPROVED BY | DATE |
| JFMURPHY | 2012/04/17 |
| MATERIAL NO. | |

| | | |
|---|--------------|------------------------|
| SCALE | DESIGN UNITS | THIRD ANGLE PROJECTION |
| 1:50 | INCH | ☉ |
| TITLE | | |
| ENET MMJ RJ45/RJ45 | | |
| MATERIAL NO. | | SHEET NO. |
| MOLEX INCORPORATED | | 1 OF 2 |
| DOCUMENT NO. | | |
| SD-120108-044 | | |
| THIS DRAWING CONTAINS INFORMATION THAT IS PROPRIETARY TO MOLEX INCORPORATED AND SHOULD NOT BE USED WITHOUT WRITTEN PERMISSION | | |

| MATERIAL NO. | ENGINEERING NO. |
|--------------|-----------------|
| 1201088119 | E66A06011C650 |
| 1201080207 | E66A06011M005 |
| 1201080267 | E66A06011M010 |
| 1201080202 | E66A06011M020 |
| 1201080269 | E66A06011M030 |
| 1201080270 | E66A06011M040 |
| 1201080271 | E66A06011M050 |
| 1201080272 | E66A06011M060 |
| 1201080128 | E66A06011M070 |
| 1201080129 | E66A06011M090 |
| 1201080273 | E66A06011M100 |
| 1201088112 | E66A06011M120 |
| 1201080274 | E66A06011M150 |
| 1201080275 | E66A06011M200 |
| 1201080276 | E66A06011M250 |
| 1201080277 | E66A06011M300 |
| 1201088113 | E66A06011M400 |
| 1201080278 | E66A06011M500 |
| 1201088114 | E66A06011M600 |
| 1201088248 | E66A06011M700 |
| 1201088115 | E66A06011M800 |
| 1201088197 | E66A06011M900 |



| ADDED PART NO. TABLE EC NO: IPG2015-2010 DRAWN: GUSTAFSON 2015/05/22 CHKD: BARDEN 2015/07/16 APPR: BWOODMAN 2015/06/09 | QUALITY SYMBOLS ▽=0 ▽=0 | GENERAL TOLERANCES (UNLESS SPECIFIED) <table border="1"> <thead> <tr> <th></th> <th>mm</th> <th>INCH</th> </tr> </thead> <tbody> <tr><td>4 PLACES</td><td>± ---</td><td>± ---</td></tr> <tr><td>3 PLACES</td><td>± ---</td><td>± .005</td></tr> <tr><td>2 PLACES</td><td>± 0.13</td><td>± .010</td></tr> <tr><td>1 PLACE</td><td>± 0.25</td><td>± .020</td></tr> <tr><td>0 PLACE</td><td>± ---</td><td>± ---</td></tr> </tbody> </table> | | mm | INCH | 4 PLACES | ± --- | ± --- | 3 PLACES | ± --- | ± .005 | 2 PLACES | ± 0.13 | ± .010 | 1 PLACE | ± 0.25 | ± .020 | 0 PLACE | ± --- | ± --- | DIMENSION STYLE IN/MM | SCALE 1:50 | DESIGN UNITS INCH | THIRD ANGLE PROJECTION |
|---|-------------------------------|---|---|----|------|----------|-------|-------|----------|-------|--------|----------|--------|--------|---------|--------|--------|---------|-------|-------|--------------------------|---------------|----------------------|------------------------|
| | | mm | INCH | | | | | | | | | | | | | | | | | | | | | |
| | 4 PLACES | ± --- | ± --- | | | | | | | | | | | | | | | | | | | | | |
| | 3 PLACES | ± --- | ± .005 | | | | | | | | | | | | | | | | | | | | | |
| | 2 PLACES | ± 0.13 | ± .010 | | | | | | | | | | | | | | | | | | | | | |
| 1 PLACE | ± 0.25 | ± .020 | | | | | | | | | | | | | | | | | | | | | | |
| 0 PLACE | ± --- | ± --- | | | | | | | | | | | | | | | | | | | | | | |
| DRAWN BY BRUPERT | DATE 2011/11/28 | TITLE ENET MMJ RJ45/RJ45 | | | | | | | | | | | | | | | | | | | | | | |
| CHECKED BY | DATE | APPROVED BY JFMURPHY | | | | | | | | | | | | | | | | | | | | | | |
| DATE 2012/04/17 | MATERIAL NO. | DOCUMENT NO. SD-120108-044 | SHEET NO. 2 OF 2 | | | | | | | | | | | | | | | | | | | | | |
| DRAFT WHERE APPLICABLE MUST REMAIN WITHIN DIMENSIONS | | SEE CHART | THIS DRAWING CONTAINS INFORMATION THAT IS PROPRIETARY TO MOLEX INCORPORATED AND SHOULD NOT BE USED WITHOUT WRITTEN PERMISSION | | | | | | | | | | | | | | | | | | | | | |