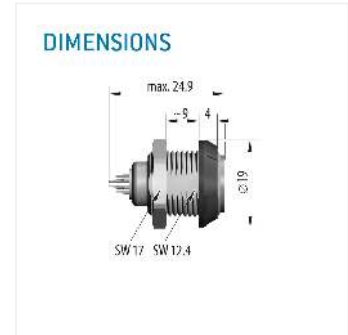
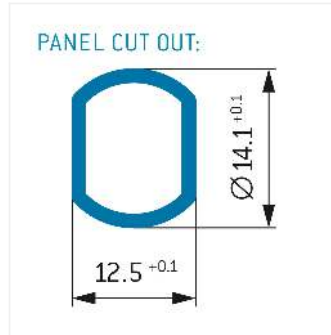
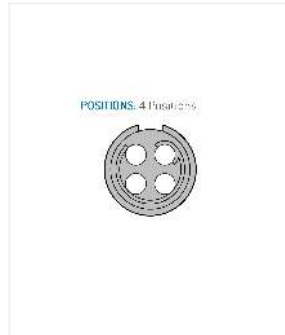


General information

| | |
|-------------------|---------------------|
| Part number | G51MC7-P04LJG0-0030 |
| Termination | solder |
| Size | 1 |
| Locking principle | break, push |
| Coding | c_key_medi |



Contact insert description

| | |
|----------------------|---------|
| Number of contacts | 4 |
| Contact type | sockets |
| Contact diameter | 09mm |
| Insulator material | peek |
| Wire cross section | 22_awg |
| Termination | solder |
| Termination diameter | 085mm |

reverse_gender_on_request

Technical information

| | | |
|--|----------|---------------|
| Max. creepage and air clearance distance | 12_mm | |
| Nominal current single contact | 075_a | iec_60512_5_2 |
| Nominal current insert | 7,5_A | vde_0298_4 |
| Test voltage | 19_kv_dc | sae_13441 |

safety_text

Mechanical and environmental data

| | |
|-----------------------|----------|
| Degree of protection* | ip50 |
| Operating temperature | 50_120_c |
| Mating cycles | 5000 |

mated_unmated

Insulator materials MEDI-SNAP®

psu_peek

Material and surface treatments

| | |
|---------------------|---------------|
| Housing | psu_gray |
| Color option | white |
| Contact | cu_alloy_gold |

safety_text_2
ul_text
illustrative_text