

THIS DRAWING IS UNPUBLISHED.

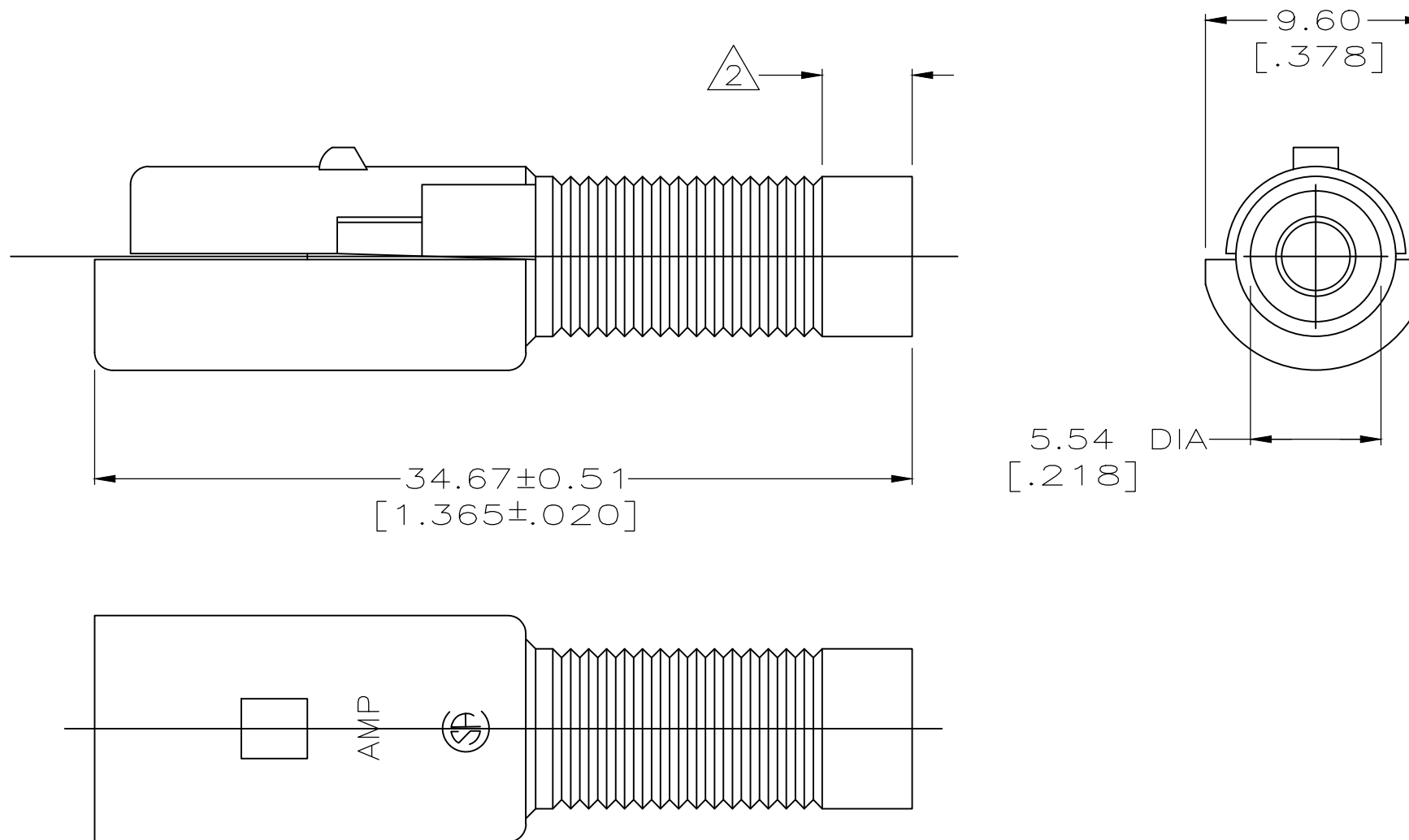
RELEASED FOR PUBLICATION

REVISIONS

© COPYRIGHT - TE Connectivity Ltd.

ALL RIGHTS RESERVED.

P	LTR	DESCRIPTION	DATE	DWN	APVD
E1		REV PER EC 0020-521-93	05/03/93	-	AT
F		REVISED PER ECO-20-001558	06FEB2020	SG	MZ



211076-1
PART NUMBER

1. PRODUCT PERFORMANCE IN COMPLIANCE WITH APPLICABLE PORTIONS OF AMP PRODUCT SPECIFICATION 108-10033.

- △2 SERRATIONS IN THIS AREA OPTIONAL.
- △3 HOUSING MATERIAL: PA66, BLACK, UL 94 V-0 RATED.

THIS DRAWING IS A CONTROLLED DOCUMENT.		DWN J. GALLUCCI BG 8-16-91	TE Connectivity			
DIMENSIONS: mm [INCHES]		CHK J. McCLINTON 9-23-91				
TOLERANCES UNLESS OTHERWISE SPECIFIED:		APVD A. NAMEIS 9-23-91	HERMAPHRODITIC SINGLE POSITION HOUSING, SPECIAL METRIMATE			
0 PLC ± - 1 PLC ± - 2 PLC ± - 3 PLC ± 0.25 [.010] 4 PLC ± - ANGLES ± -		PRODUCT SPEC W.T. PARKER 9-23-91				
MATERIAL △3		FINISH -	SIZE A3	CAGE CODE 00779	DRAWING NO C-211076	RESTRICTED TO -
CUSTOMER DRAWING			SCALE 4:1	SHEET 1 OF 1	REV F	