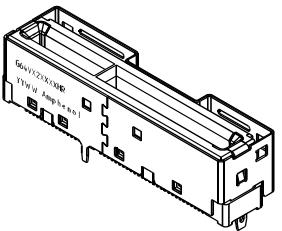
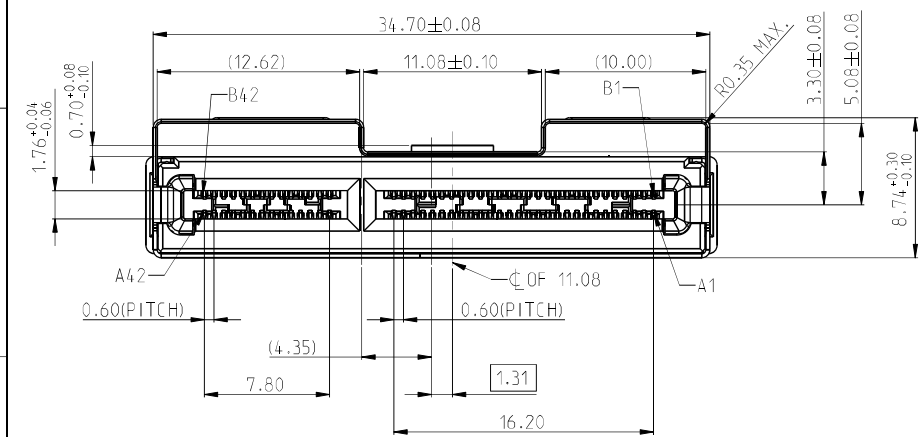


This document is the property of Amphenol Corporation and is delivered on the express condition that it not be disclosed, reproduced or used, in whole or in part, for manufacture or sale by anyone other than Amphenol Corporation without its prior consent, and that no right is granted to disclose or to use any information in this document.

The marking on this product doesn't contain environmental hazardous materials per Material Specification SS-00259 for Sony GP compliant or per directive 2011/65/EU for RoHS compliant or per IEC 61249-2-21 for Halogen-Free compliant.

REVISIONS				
SYM	ECN No.	DESCRIPTION	DATE	BY
AX10	NA	1. ADDED CONTROL DIMENSIONS 2. ADDED PLASTIC COLOR IN NOTE	03/27/2020	JOAN LU
AX11	NA	ADDED NOTE IN PCB LAYOUT	05/11/2020	JOAN LU
AX12	NA	REVISED DRAWING	05/22/2020	JOAN LU
AX13	NA	UPDATED PULL OUT DIRECTION OF PACKAGE	11/20/2020	JOAN LU



EXEMPERT Z-LINK
VERTICAL TYPE
CONNECTOR SPEED
3 : 56 G
KEYWAY TYPE
2: 2C
CONTACT FINISH
2: 15u" GOLD
3: 30u" GOLD

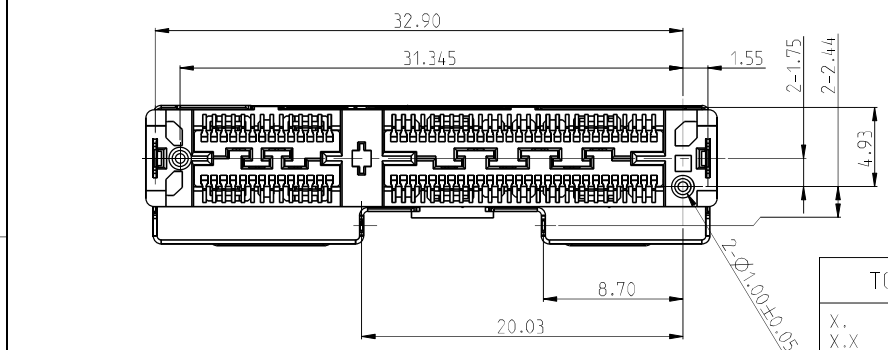
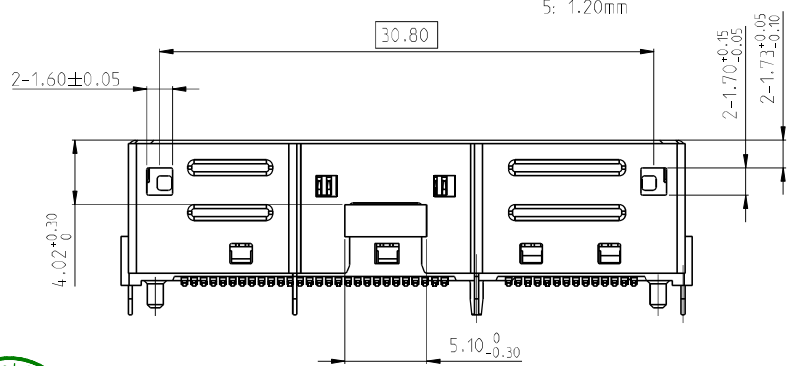
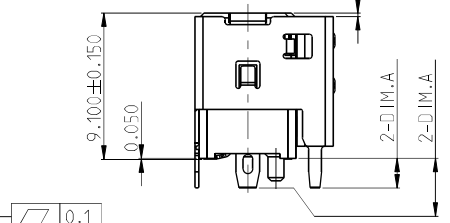
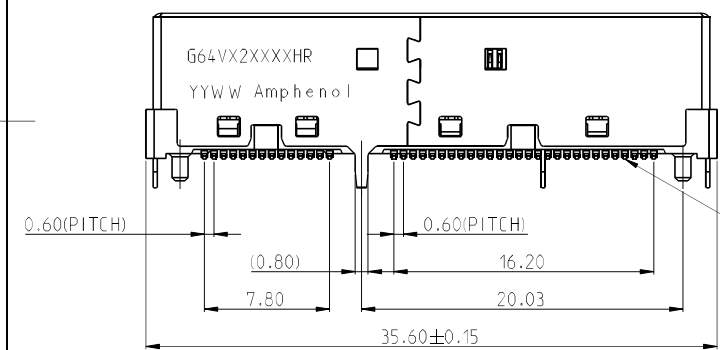
G64 V X 2 X X X X HR

COMPLIANT CODE
HR: HALOGEN-FREE & RoHS

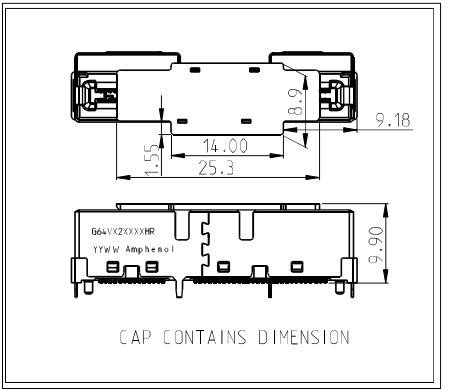
VARIATION CODE
BLANK: STANDARD

PACKING CODE
REFER TO TABLE IN PAGE 3

SHELL PIN LENGTH OPTION(DIM.A)
1: 1.85mm
2: 2.50mm
3: 3.30mm
4: 4.50mm
5: 1.20mm



NOTES:
1. MATERIALS:
PLASTICS : HIGH TEMPERATURE THERMOPLASTIC UL94-0. COLOR: BLACK
SHELL : STAINLESS
CONTACT: COPPER ALLOY
BOARD LOCK: BRASS ALLOY
2. FINISH
TERMINAL : CONTACT AREA : SELECTED GOLD PLATING
SOLDER AREA : MATTE TIN PLATING 100u".
UNDER PLATING: NICKEL PLATING 50u"MIN OVER ALL
SHELL : UNDER PLATING: ELECTROLESS NICKEL PLATING 50u"MIN OVER ALL
3. THIS PRODUCT DOESN'T CONTAIN ENVIRONMENTAL HAZARDOUS MATERIALS
PER DERCTIVE 2011/65/EC FOR RoHS AND PER IEC 61249-2-21 FOR
HALOGEN FREE.



TOLERANCE	DRAWN	APPROVALS	DATE	TITLE
X. ±0.30	DESIGNED	Joan Lu	11/20/2020	EXTREPERT Z-LINK 2C, 0.6 PITCH, VERTICAL STANDARD, SMT TYPE
X.XX ±0.20	CHECKED	Sondra Sang	11/20/2020	
X.XXX ±0.10	APPROVED	Hank Hsu	11/20/2020	
ANGULAR ±2°	DWG TYPE	CUST DWG	PROJECT CODE	TXXX
UNLESS OTHERWISE SPECIFIED				

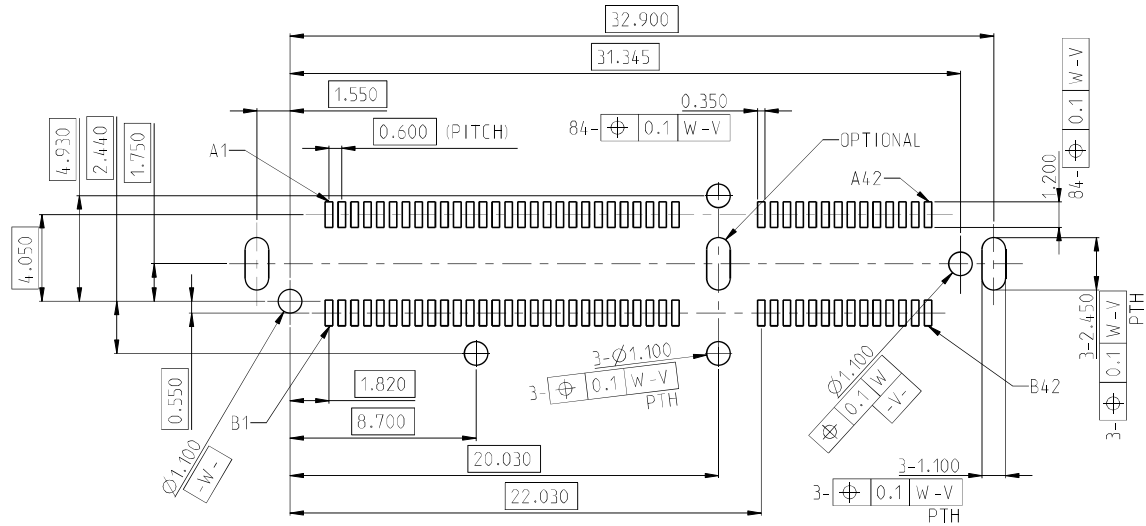
UNIT	SIZE	PART No.
MM	A3	G64 VX2XXXXHR
SCALE	SHEET	DWG No.
NA	1 OF 3	G64 VX2XXXXHR

REV.
AX13

This document is the property of Amphenol Corporation and is delivered on the express condition that it is not to be disclosed, reproduced or used, in whole or in part, for manufacture or sale by anyone other than Amphenol Corporation without its prior consent, and that no right is granted to disclose or to use any information in this document.

The marking on this product doesn't contain environmental hazardous materials per Material Specification SS-00259 for Sony GP compliant or per directive 2011/65/EU for RoHS compliant or per IEC 61249-2-21 for Halogen-Free compliant.

REVISIONS				
SYM	ECN No.	DESCRIPTION	DATE	BY
AX10	NA	1. ADDED CONTROL DIMENSIONS 2. ADDED PLASTIC COLOR IN NOTE	03/27/2020	JOAN LU
AX11	NA	ADDED NOTE IN PCB LAYOUT	05/11/2020	JOAN LU
AX12	NA	REVISED DRAWING	05/22/2020	JOAN LU
AX13	NA	UPDATED PULL OUT DIRECTION OF PACKAGE	11/20/2020	JOAN LU



RECOMMENDED PCB LAYOUT
(GENERAL TOLERANCES : +/-0.05)

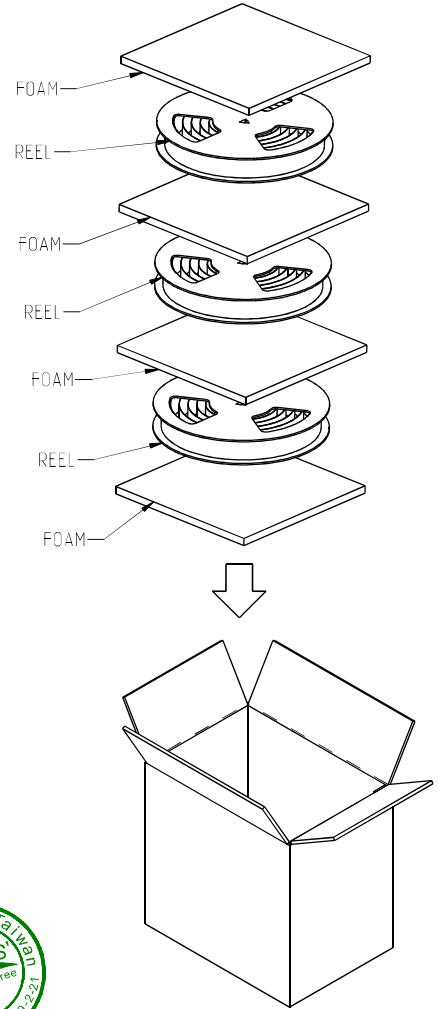
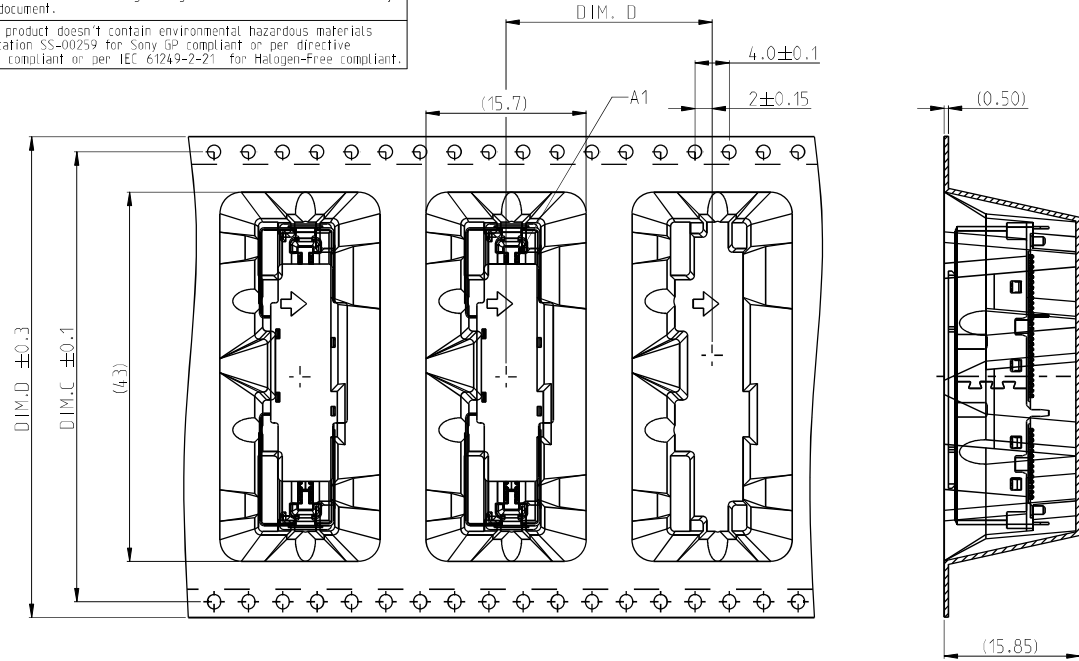


TOLERANCE	DRAWN APPROVALS	DATE	TITLE	Amphenol® Amphenol Corporation Amphenol Taiwan Corporation		
X. ±0.30	DESIGNED Joan Lu	11/20/2020	EXTREMEPORT Z-LINK 2C, 0.6 PITCH, VERTICAL STANDARD, SMT TYPE	UNIT MM	SIZE A3	PART No. G64 VX2XXXHR
X.XX ±0.20	CHECKED Sondra Sang	11/20/2020				
X.XXX ±0.10	APPROVED Hank Hsu	11/20/2020				
ANGULAR ±2°	DWG TYPE CUST DWG	PROJECT CODE TXXX		SCALE NA	SHEET 2 OF 3	DWG No. G64 VX2XXXHR
UNLESS OTHERWISE SPECIFIED						REV. AX13

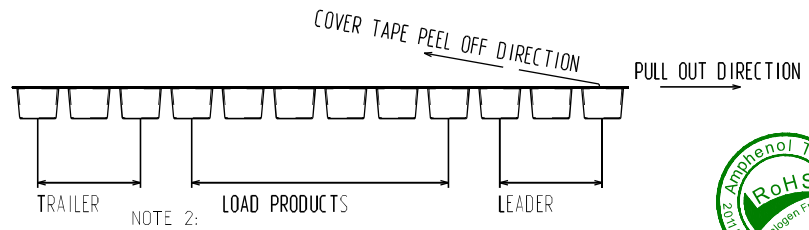
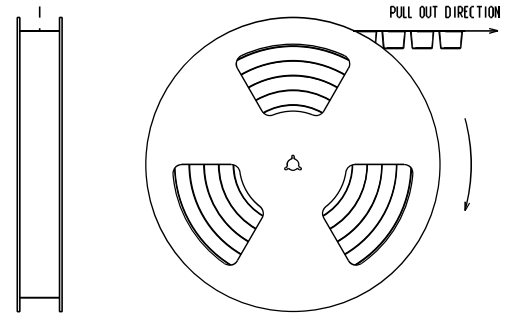
This document is the property of Amphenol Corporation and is delivered on the express condition that it is not to be disclosed, reproduced or used, in whole or in part, for manufacture or sale by anyone other than Amphenol Corporation without its prior consent, and that no right is granted to disclose or to use any information in this document.

The marking on this product doesn't contain environmental hazardous materials per Material Specification SS-00259 for Sony GP compliant or per directive 2011/65/EU for RoHS compliant or per IEC 61249-2-21 for Halogen-Free compliant.

REVISIONS				
SYM	ECN No.	DESCRIPTION	DATE	BY
AX10	NA	1. ADDED CONTROL DIMENSIONS 2. ADDED PLASTIC COLOR IN NOTE	03/27/2020	JOAN LU
AX11	NA	ADDED NOTE IN PCB LAYOUT	05/11/2020	JOAN LU
AX12	NA	REVISED DRAWING	05/22/2020	JOAN LU
AX13	NA	UPDATED PULL OUT DIRECTION OF PACKAGE	11/20/2020	JOAN LU



PART NUMBER	PACKING CODE	PACKING TYPE	DIM. B	DIM.C	DIM.D	REEL (Q'TY)	CARTON (PCS)	PICK AND PLACE
G64VX2XX2HR	2	TAPE AND REEL	56	52.4	24	3	465	WITH CAP
G64VX2XXBHR	B	TAPE AND REEL	56	52.4	24	3	465	NONE
G64VX2XX3HR	3	TAPE AND REEL	56	52.4	20	3	570	WITH CAP



- NOTE 2:
- CARTON SIZE 340L X 340W X 240H
 - PREFER TO AMTA LABELING STANDARD.
 - CARTON CLOSURES MUST BE SEALED WITH TAPE.

NOTE 1:

1. MATERIAL:
 CARRIER TAPE: POLYSTYRENE, BLACK
 COVER TAPE: TRANSPARENT POLYSTYRENE
 REEL: POLYSTYRENE, BLACK

2. ALL TAPE AND REEL SPECIFICATION FOLLOW EIA-481 STANDARD.

3. THIS PRODUCT DOESN'T CONTAIN ENVIRONMENTAL HAZARDOUS PER DIRECTIVE 2002/95/EC FOR RoHS.

TOLERANCE	DRAWN	APPROVALS	DATE	TITLE
X. X.X ±0.30 X.XX ±0.20 X.XXX ±0.10	DESIGNED	Joan Lu	11/20/2020	EXTREMEPORT Z-LINK 2C, 0.6 PITCH, VERTICAL STANDARD, SMT TYPE
	CHECKED	Sondra Sang	11/20/2020	
	APPROVED	Hank Hsu	11/20/2020	
ANGULAR ±2°	DWG TYPE	CUST DWG	PROJECT CODE	TXXX
UNLESS OTHERWISE SPECIFIED				

UNIT	SIZE	PART No.
MM	A3	G64VX2XXXHR

SCALE	SHEET	DWG No.	REV.
NA	3 OF 3	G64VX2XXXHR	AX13

