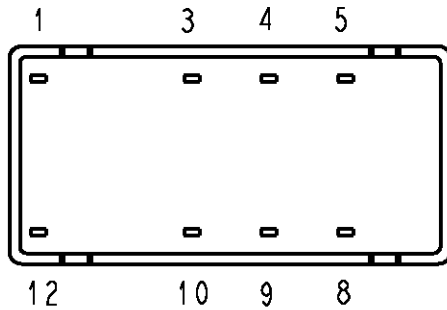
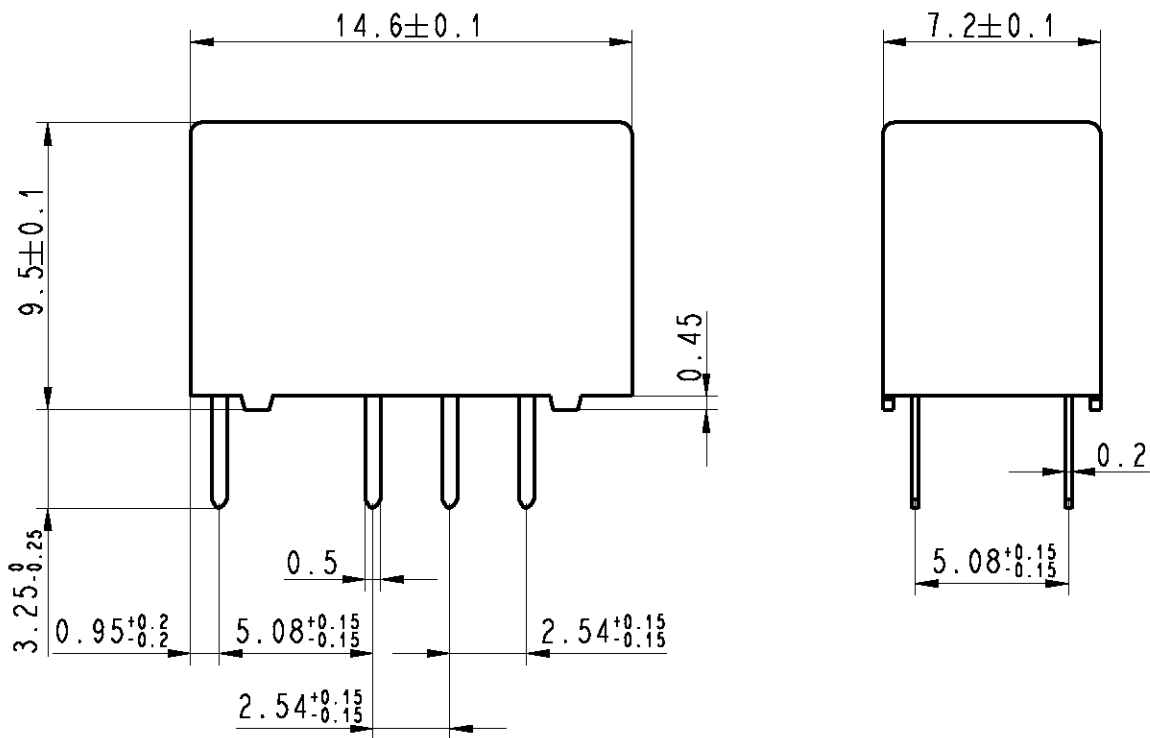


LOC	DIST	REVISIONS					
HJ	-	P	LTR	DESCRIPTION	DATE	DWN	APVD
			C2	REVISED PER ECO-11-005150	25MAR11	RK	HMR



Relay - bottom view



xx = Relay type  
YYWD = Date code

DRAWING ALIAS C23303-A079-A001

RELEASED FOR PUBLICATION

ALL RIGHTS RESERVED.

THIS DRAWING IS UNPUBLISHED.

BY -  
© COPYRIGHT

DIMENSIONS: mm	DWN	Korytak	02Jun2004	MATERIAL	-	FINISH	-
	CHK	Korytak	02Jun2004				
TOLERANCES UNLESS OTHERWISE SPECIFIED: DIN 7168-m	APVD	Korytak	02Jun2004				
0 PLC ±-	PRODUCT SPEC	-					
1 PLC ±	APPLICATION SPEC	-					
2 PLC ±	WEIGHT	-					
3 PLC ±	NAME			P2-Relay THT Dimensions			
4 PLC ±	SIZE			CAGE CODE		DRAWING NO	
ANGLES ±-	CUSTOMER DRAWING			A4		00779 C-1393789-2	
RESTRICTED TO			-				
SCALE			4:1		SHEET 1 OF 1		REV C2