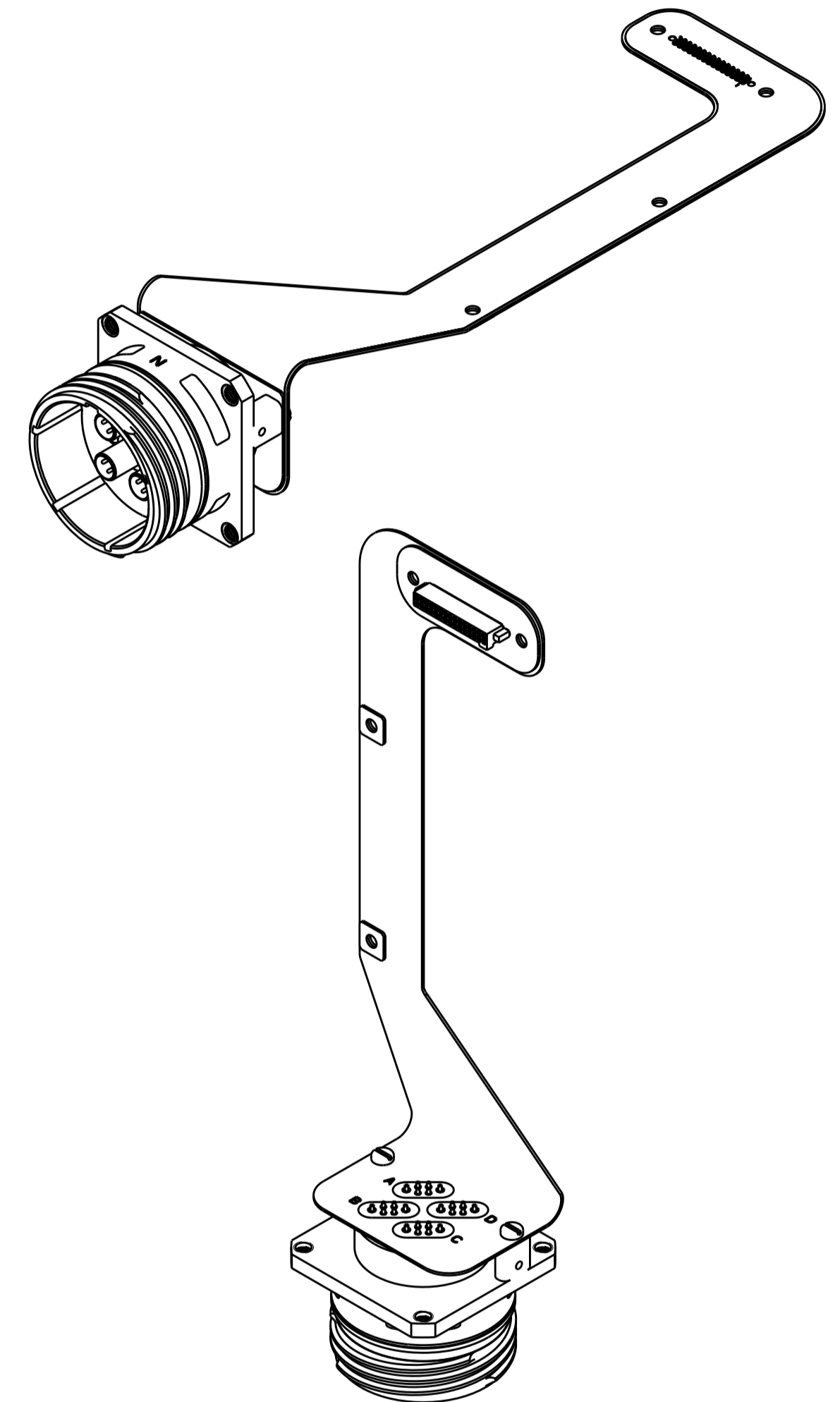
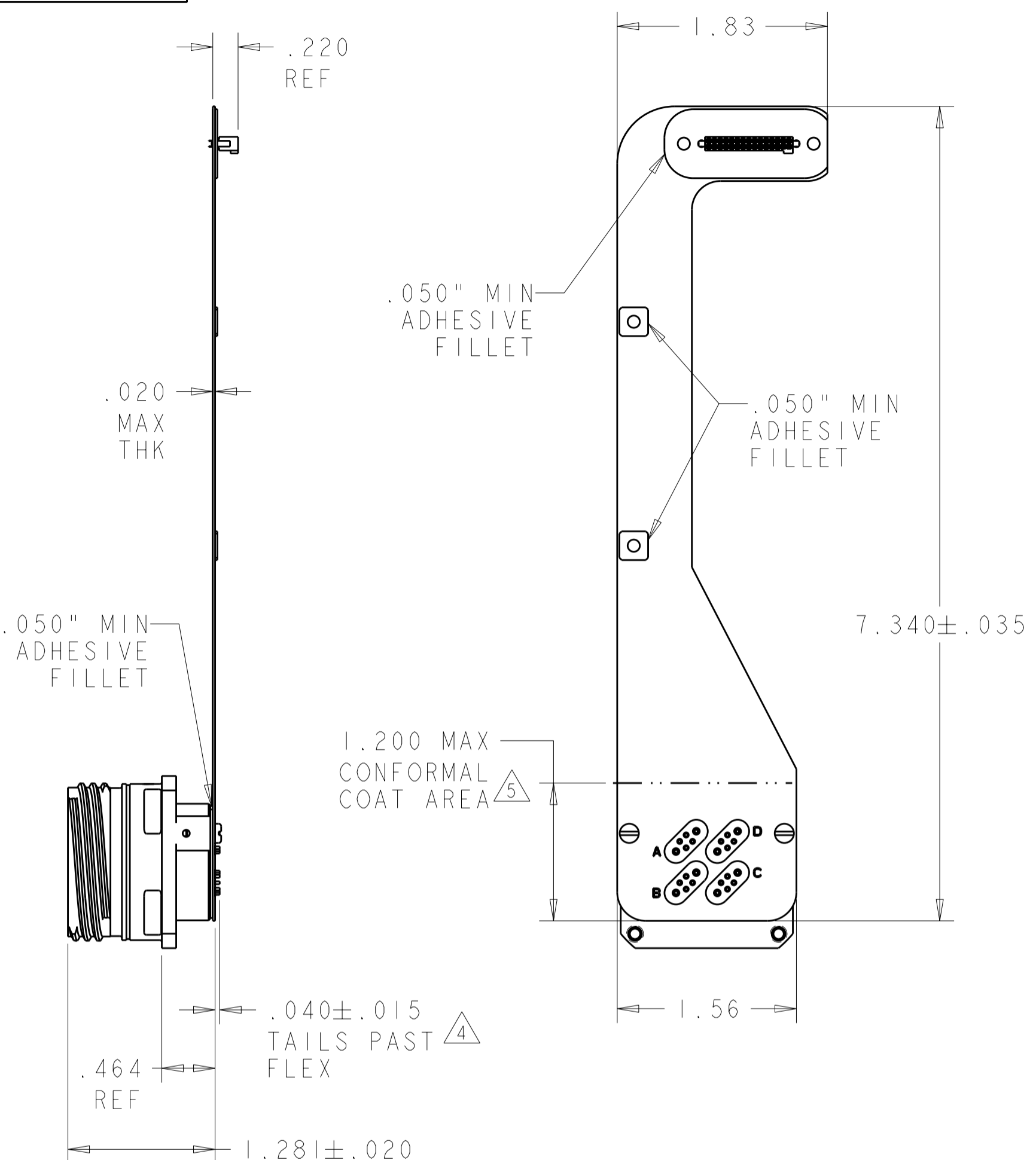
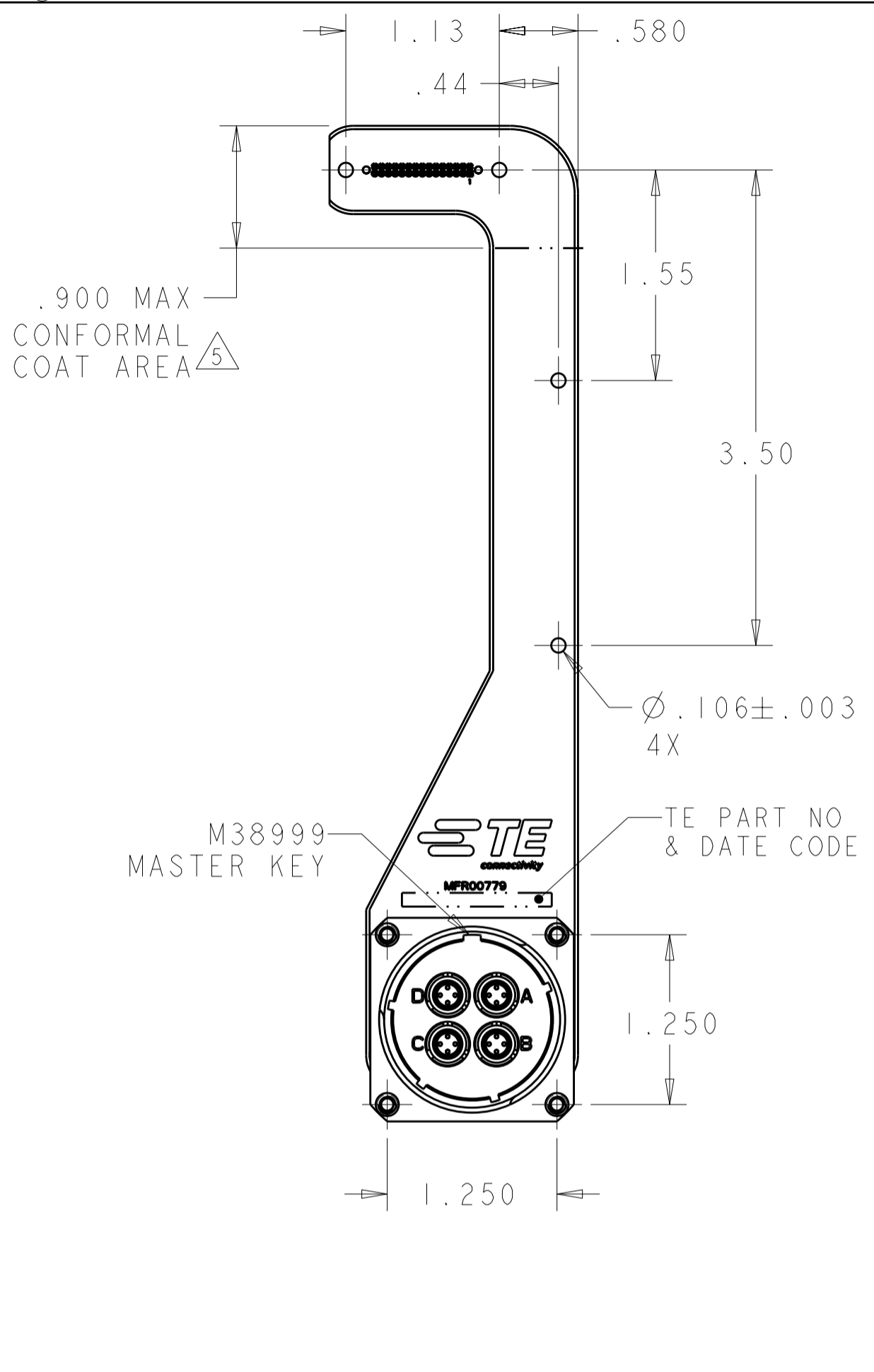


THIS DRAWING IS UNPUBLISHED. RELEASED FOR PUBLICATION
 © COPYRIGHT BY ALL RIGHTS RESERVED.

REVISIONS							
LOC	DIST	P	LTR	DESCRIPTION	DATE	DWN	APVD
-	-	E		REV PER ECO 11-023424	11-29-11	CT	DE



- MATERIAL & FINISH:
 CONNECTOR SHELL - OLIVE DRAB ALUMINUM SHELL
 THREAD INSERT (4-40) - PASSIVATED STAINLESS STEEL
 QUADRAX RETENTION CLIP - SILVER PLATED STAINLESS STEEL
 QUADRAX CONNECTOR - GOLD PLATED COPPER ALLOY AND BRASS, AND THERMOPLASTIC
 PERIPHERAL SEAL - FLUROSILICONE, RUBBER
 FLEX - KAPTON
 PAN HEAD MACHINE SCREW - PASSIVATED STAINLESS STEEL
 SAMTEC HEADER - SFM-115-03-S-D-A

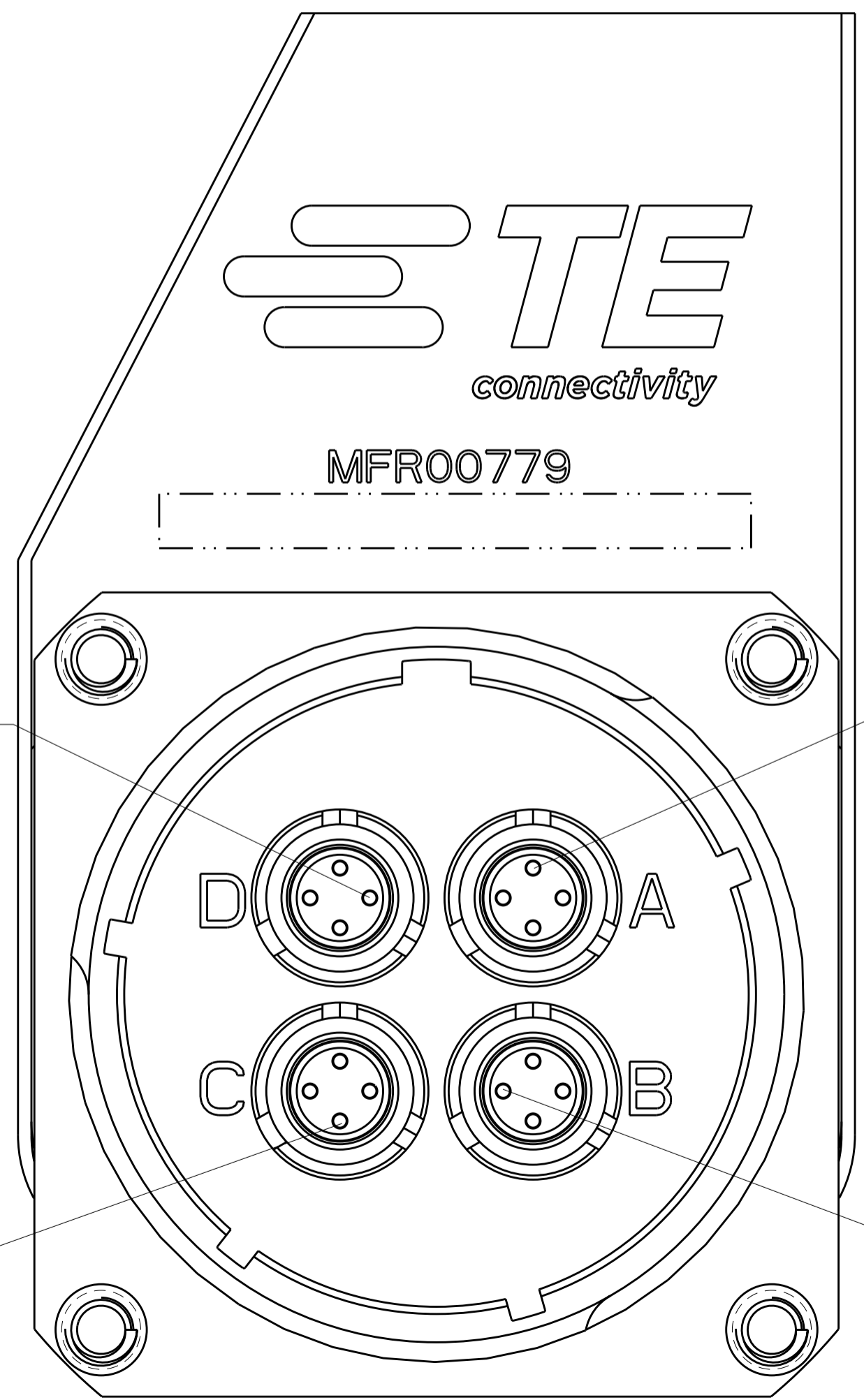
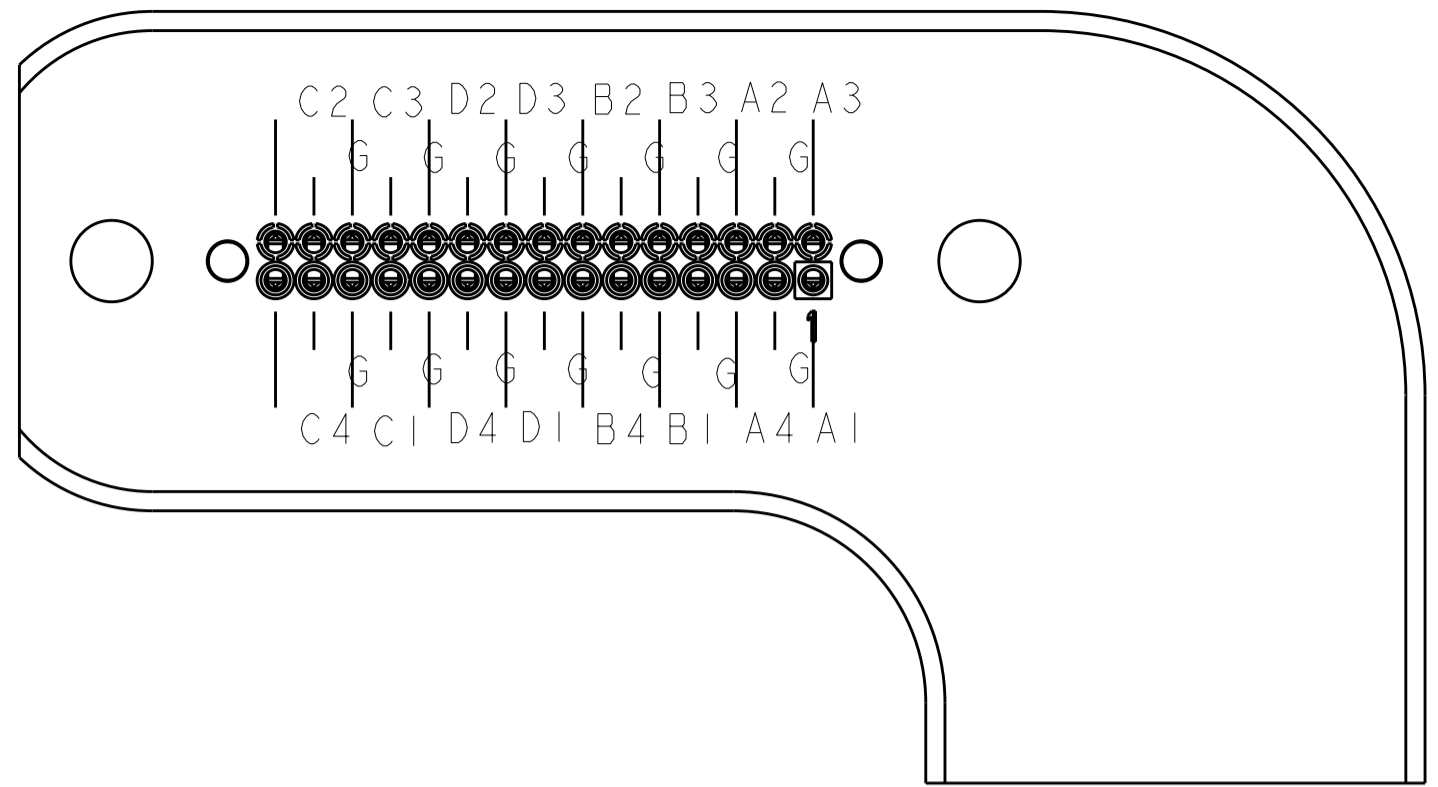
- OPERATING TEMPERATURE RANGE: -65°C TO +125°C (-85°F TO +257°F)
- SOLDER QUADRAX AND HEADER TAILS TO FLEX PER IPC-A-610D, CLASS 3.
- △4 FINAL DIMENSION AFTER TRIM.
- △5 CONFORMAL COAT TO INCLUDING ENTIRE SOLDER TAILS AND SOLDER JOINTS, PER MIL-C-28809.
- 100% ELECTRICAL TESTING; DC AND IR AT 500V

A	1883637-2
N	1883637-1
M38999 KEY ARRANGEMENT	PART NUMBER

THIS DRAWING IS A CONTROLLED DOCUMENT.		DWN	R FLAIG	19SEP2006	TE Connectivity NAME ASSY, FLEX, SIZE 21, 404, M38999 STYLE, SERIES III SIZE CAGE CODE DRAWING NO A200779C-1883637 RESTRICTED TO -
DIMENSIONS: INCHES		CHK	L OH	19SEP2006	
TOLERANCES UNLESS OTHERWISE SPECIFIED:		APVD	L OH	19SEP2006	
0 PLC ± 1 PLC ±.01 2 PLC ±.01 3 PLC ±.005 4 PLC ± ANGLES ±1° FINISH		PRODUCT SPEC	-	APPLICATION SPEC	
MATERIAL	-	WEIGHT	-	CUSTOMER DRAWING	SCALE 1:1 SHEET 1 OF 2 REV E

THIS DRAWING IS UNPUBLISHED. RELEASED FOR PUBLICATION 20
 © COPYRIGHT 20 BY - ALL RIGHTS RESERVED.

LOC		DIST		REVISIONS				
P	LTR	DATE	DWN	APVD				
DF	A5	-	-	-	SEE SHEET 1			



PIN NUMBER	SIGNAL ALLOCATION
1	Tx+
2	Rx+
3	Tx-
4	Rx-
PIN LOCATIONS GO CLOCKWISE FROM POSITION 1	

THIS DRAWING IS A CONTROLLED DOCUMENT.		DWN R FLAIG	19SEP2006	TE TE Connectivity	
DIMENSIONS: INCHES		CHK L OH	19SEP2006		
TOLERANCES UNLESS OTHERWISE SPECIFIED:		APVD L OH	19SEP2006	NAME ASSY, FLEX, SIZE 21, 404, M38999 STYLE, SERIES III	
0 PLC ± 1 PLC ± 2 PLC ±.01 3 PLC ±.005 4 PLC ± ANGLES ±1° FINISH		PRODUCT SPEC -	APPLICATION SPEC -	SIZE A200779	CAGE CODE C-1883637
MATERIAL -		WEIGHT -	CUSTOMER DRAWING	RESTRICTED TO -	SCALE 2:1 SHEET 2 OF 2 REV E