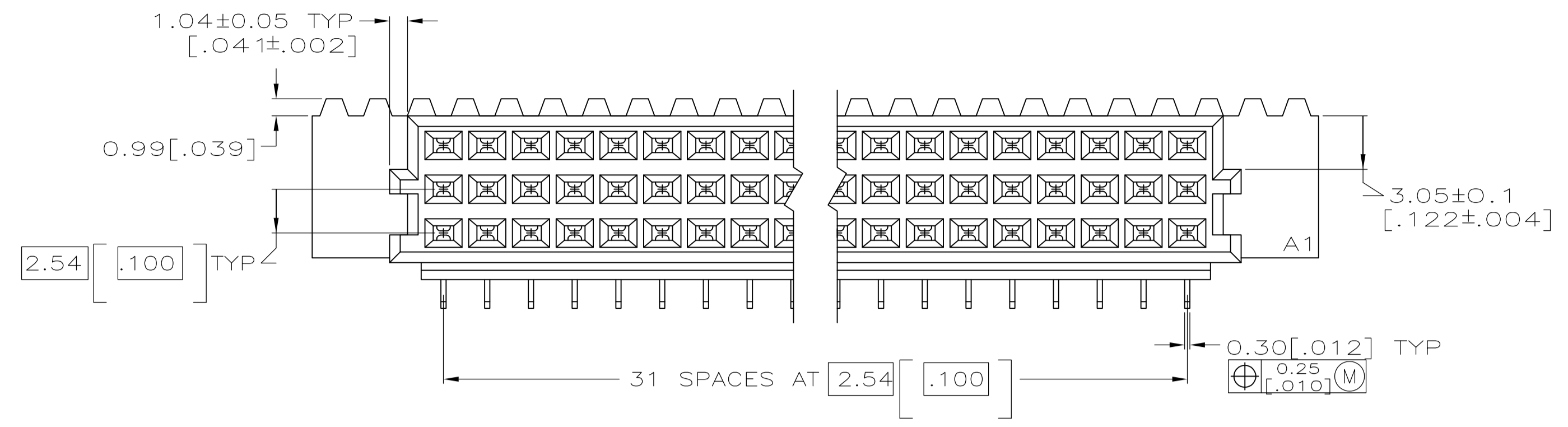
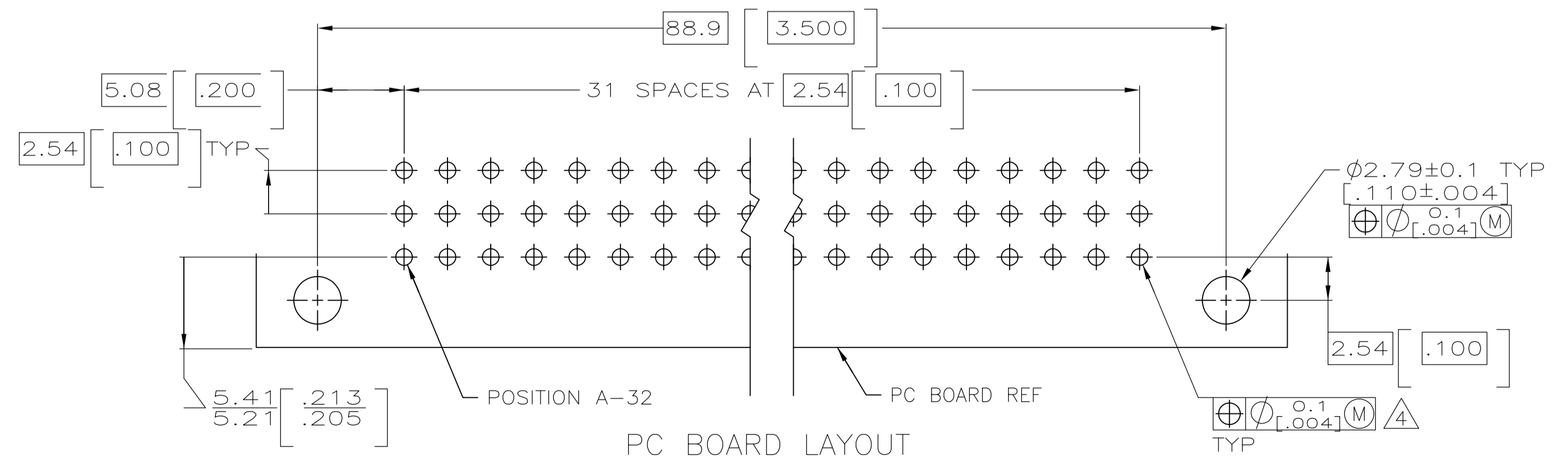
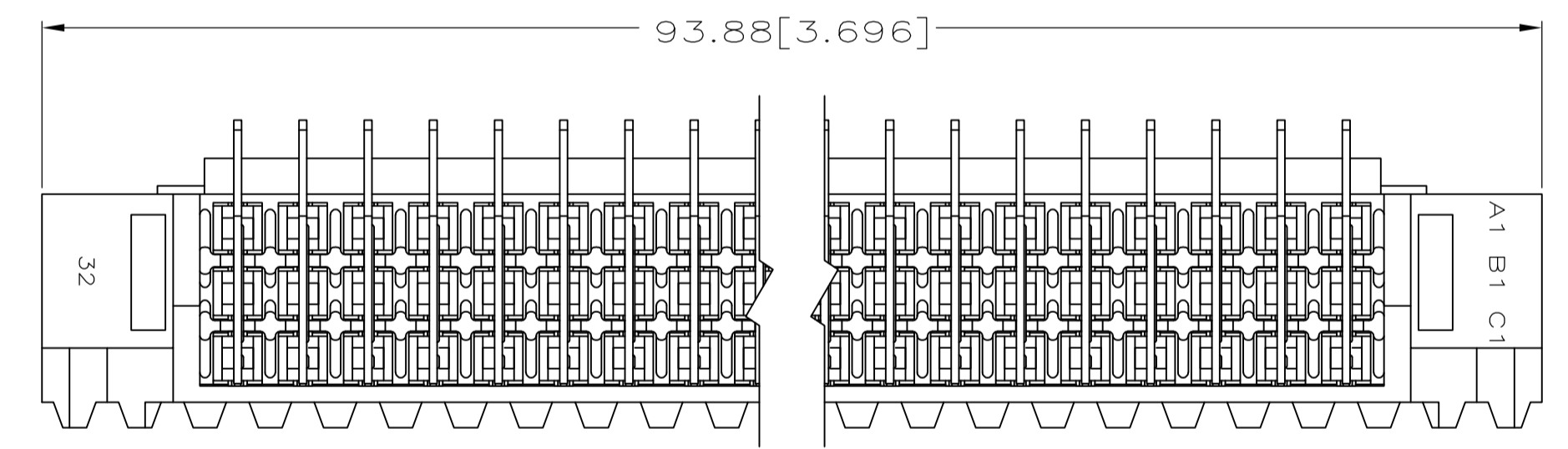
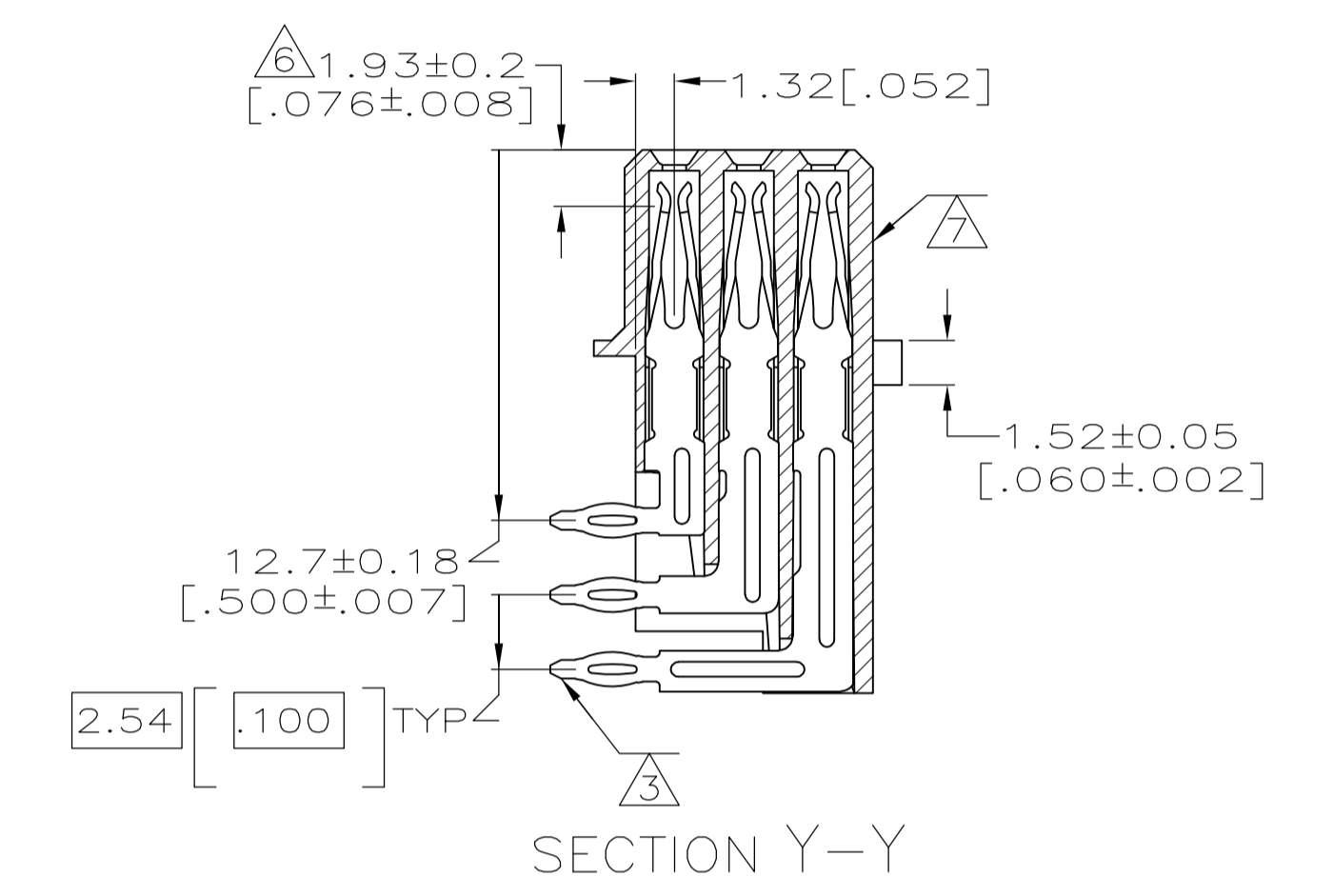
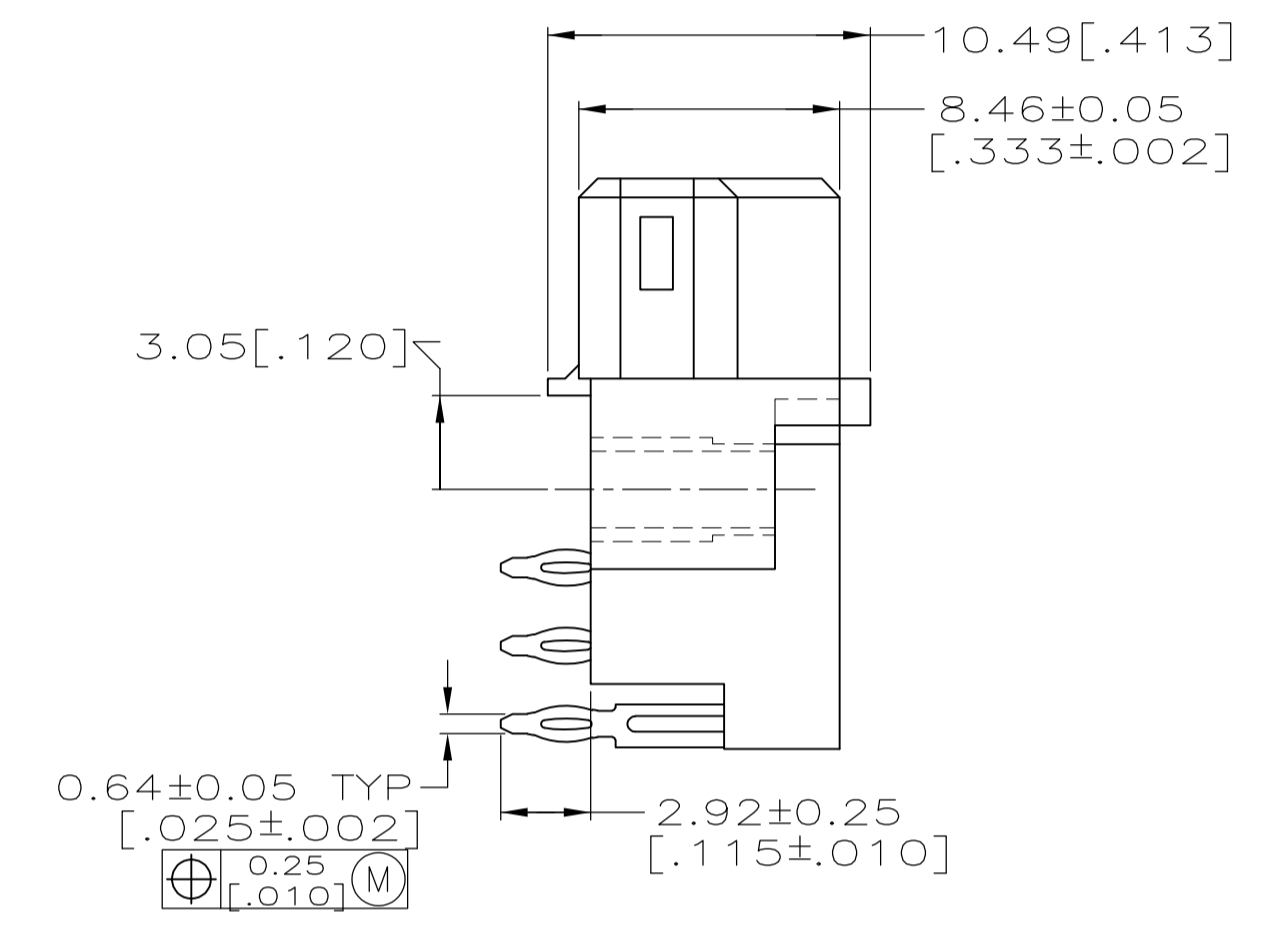
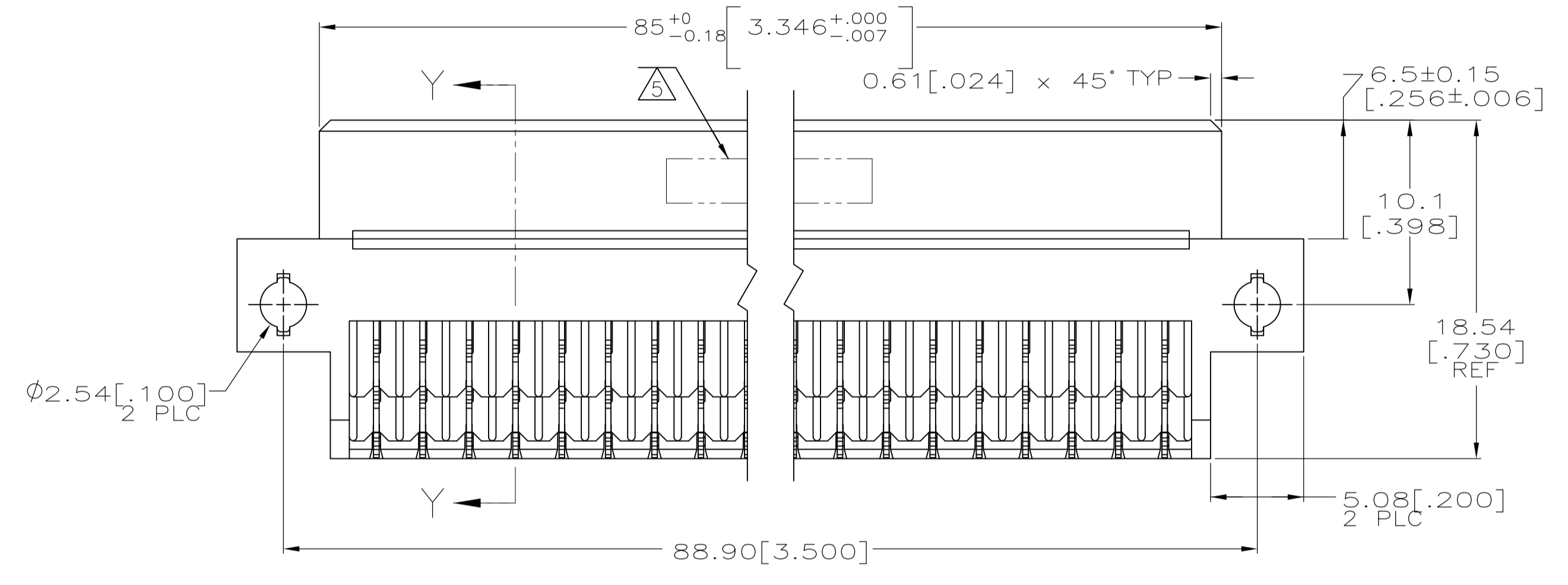


REVOLUTIONS		DATE	DRW	APVD
A	EC 0504-0145-96	12/18/96	LSB	RAP
B	EC 0504-0058-97	4/10/97	LSB	RAP
C	REV PER OG21-0029-99	21JAN99	BH	CAR
D	REV PER EC 0G21-50-99	26 MAY 99	BC	CR
E	REV PER EC 0S12-0016-03	30JUL03	JM	AS
E1	REVISED PER ECO-09-020935	08SEP09	KK	AEG



- 1 HOUSING MATERIAL: GLASS-FILLED POLYESTER. COLOR: GRAY.
- 2 CONTACT MATERIAL: PHOSPHOR BRONZE.
- 3 CONTACT FINISH: DIN 41612 CLASS 2 IN CONTACT AREA. TIN-LEAD PLATE ON POSTS.
- 4 COMPLIANT PIN REQUIRES 1.57 [.062] MINIMUM THICK PC BOARD. RECOMMENDED PC BOARD HOLES ARE $\phi 1.151 \pm 0.025$ [.0453 ± .0010] DRILLED HOLES WITH 0.02-0.08 [.001-.003] COPPER AND 0.008 [.0003] MINIMUM TIN-LEAD PLATING. FINISHED HOLES AFTER PLATING, $\phi 0.94-1.09$ [.037-.043].
- 5 PART NUMBER, DATE CODE IDENTIFICATION, CSA LOGO HOT-STAMPED THIS APPROXIMATE AREA.
- 6 CONTACT POINT.
- 7 HOT-STAMPING ON THIS SIDE.
- 8 OBSOLETE PARTS: OBSOLETE CIS STREAMLINING PER D.RENAUD/D.SINISI



POSITIONS LOADED	ROWS	NO. OF LOADED POSITIONS	PART NUMBER
2,4,6,8,10,12,14,16,18,20,22,24,26,28,30,32	C	16	148296-3
2,4,6,8,10,12,14,16,18,20,22,24,26,28,30,32	B	16	OBSOLETE
2,4,6,8,10,12,14,16,18,20,22,24,26,28,30,32	A	16	OBSOLETE
NONE	C	0	148296-2
1-32	B	32	148296-2
1-32	A	32	148296-1
NONE	B	0	OBSOLETE
1-32	A	32	OBSOLETE

THIS DRAWING IS A CONTROLLED DOCUMENT.

DWN	L. BRINER	9/5/96
CHK	R. PATTERSON	9/5/96
APVD	R. PATTERSON	9/5/96

AMP Incorporated
Harrisburg, PA 17105-3608

RECEPTACLE ASSEMBLY, EUROCARD,
TYPE R, PRESS-FIT

SIZE	A1	CAGE CODE	00779	DRAWING NO	148296
WEIGHT	-	SCALE	4:1	SHEET	1 OF 1

CUSTOMER DRAWING